



CHEMFLO 1

1-1/2" x 1" End Suction Centrifugal Pump

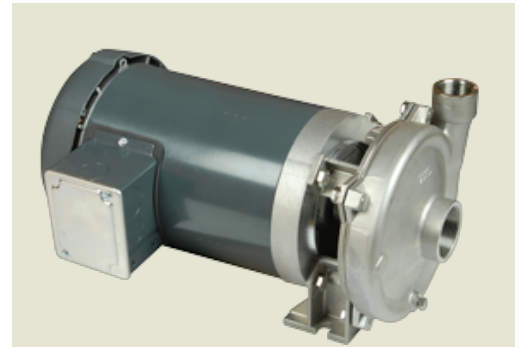
Made with high quality investment cast 316 stainless steel components, the ChemFlo® series of pumps are designed to be applied in a wide range of pumping applications where stainless steel is required.

The ChemFlo® 1 pumps utilize a semi-open impeller design to allow for passage of larger solid sizes than similar sized enclosed impellers. Several seal options are available in addition to the standard type 2100 carbon / ceramic / Viton mechanical seal.

ChemFlo® 1 pumps are offered in two configurations, pump (with motor) and PumPAK® (without motor) versions. Electric and hydraulic motors can be close coupled to ChemFlo® 1 pumps or pedestal mounted versions are also available for long coupling.

Further expanding the versatility of the ChemFlo® series is the CFB 1 pump, a ChemFlo® 1 in NiBrAl material. All wetted parts are produced in CA 958 nickel aluminum bronze including the drive sleeve to maximize corrosion protection in seawater applications.

If ordering a pumpak with a 145TC please note that the electric motor must have a base.



Application

- Agricultural
- Commercial
- Industrial
- Marine
- OEM

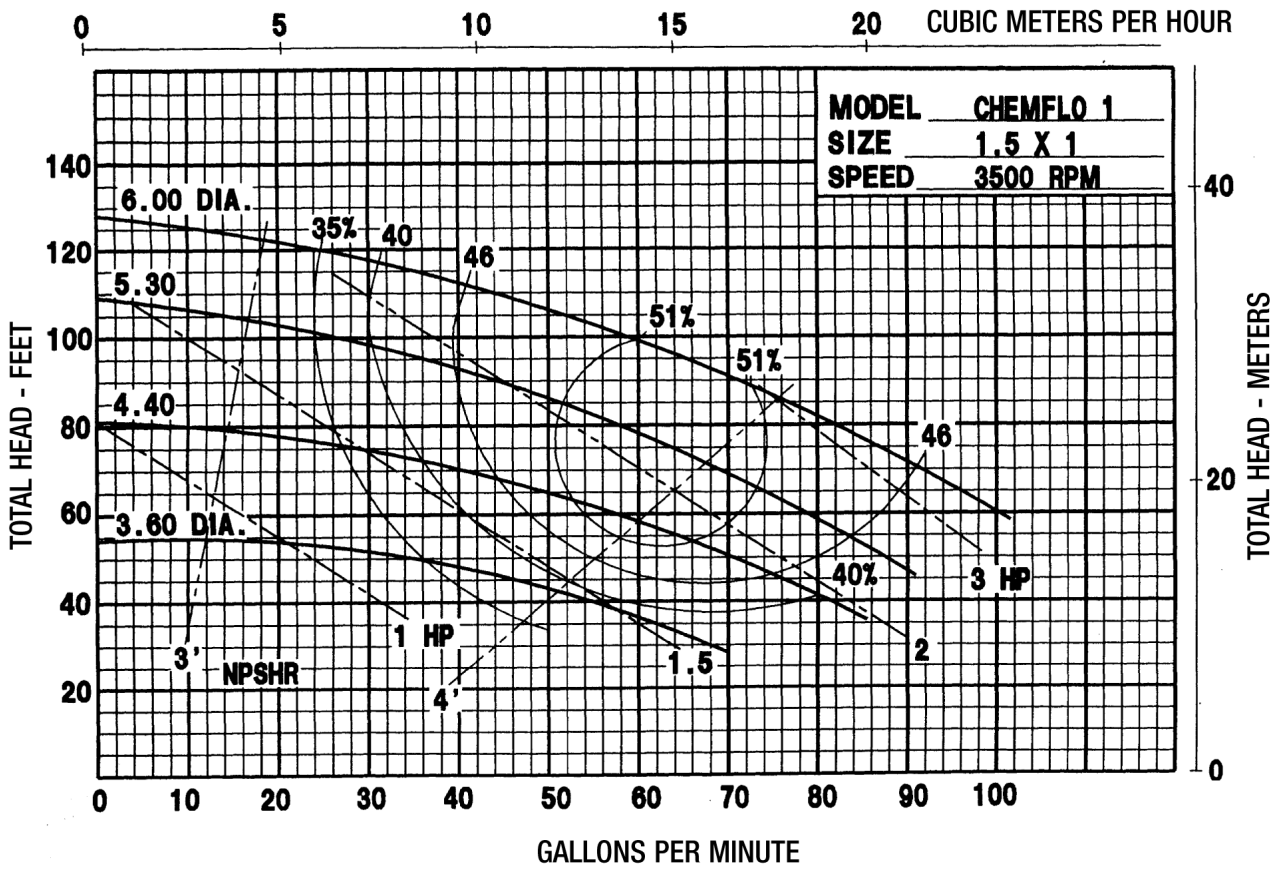
Drive Sleeve

- 316 stainless steel

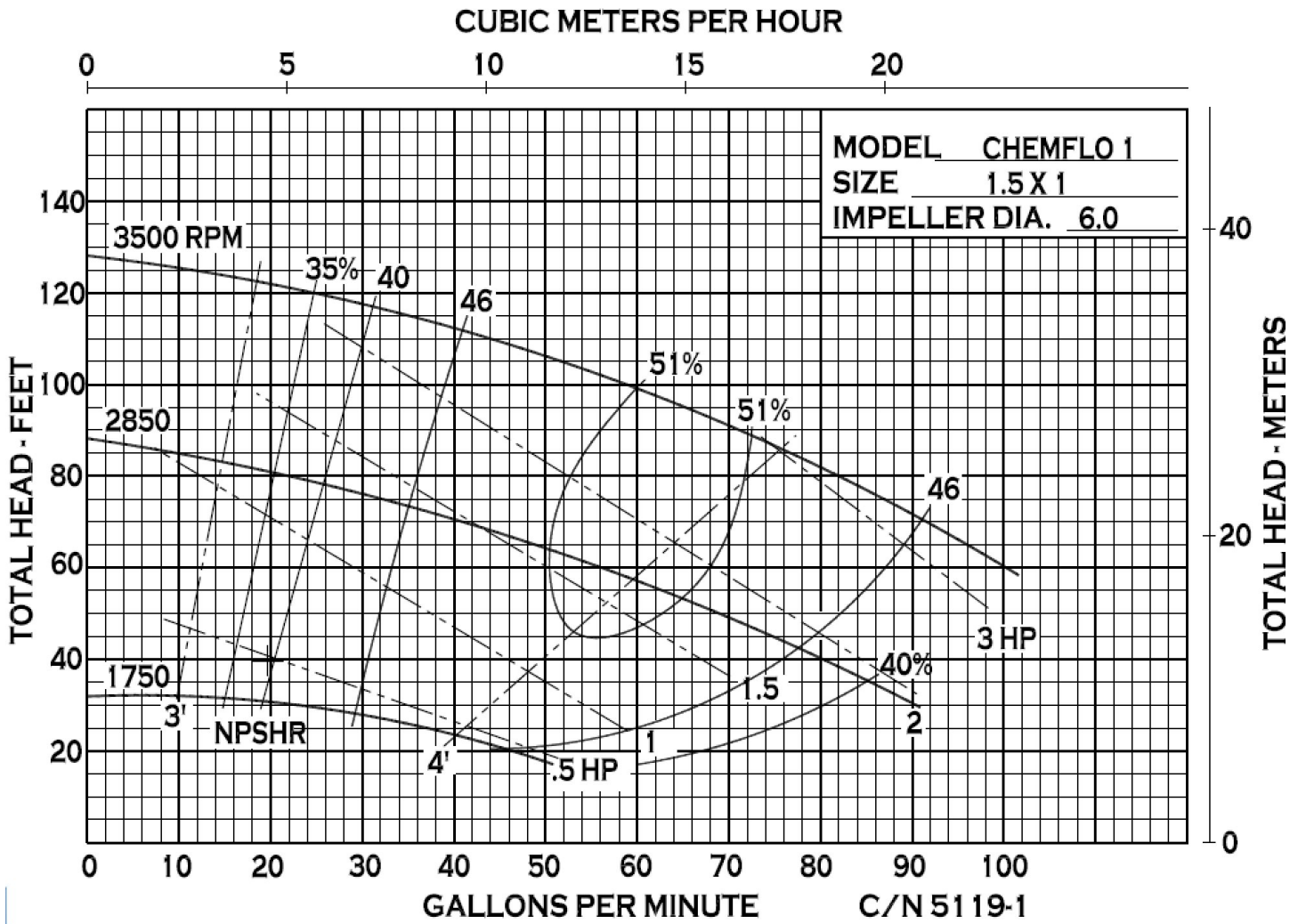
SPECIFICATIONS:

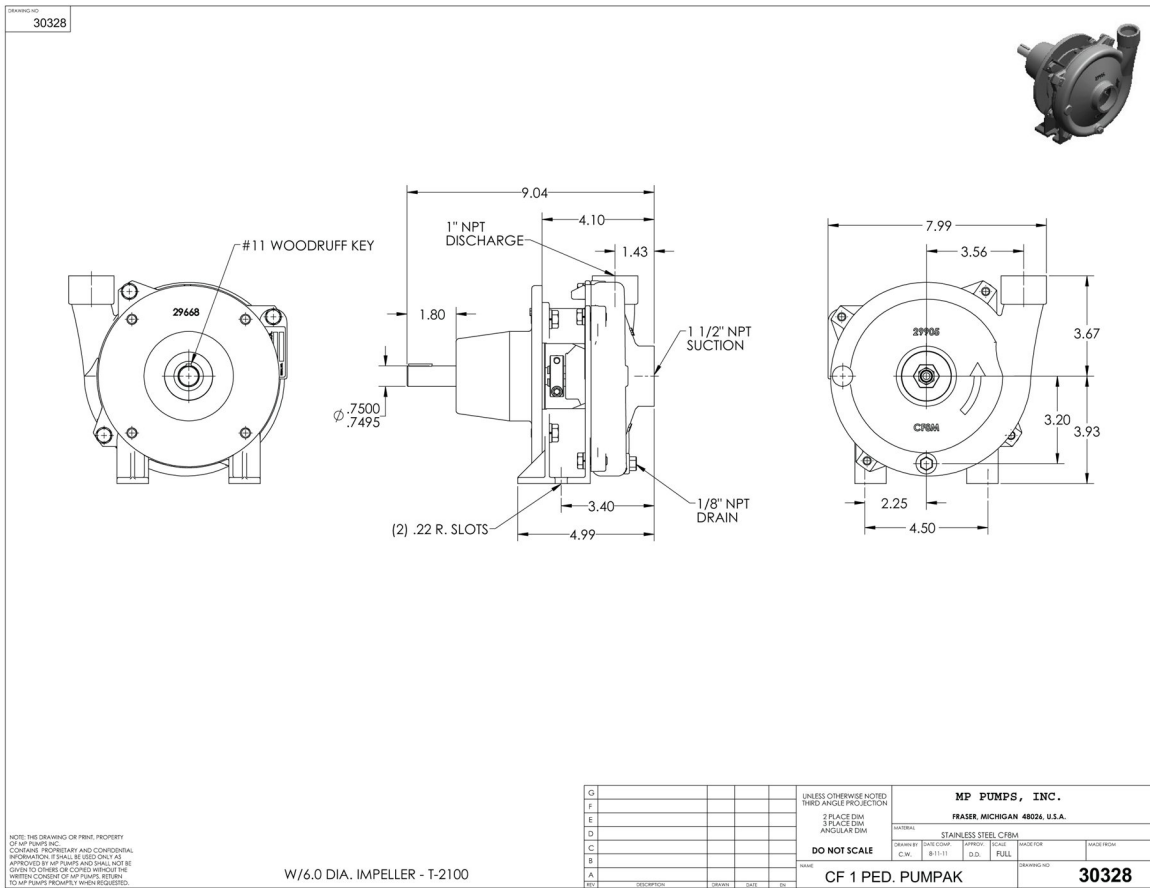
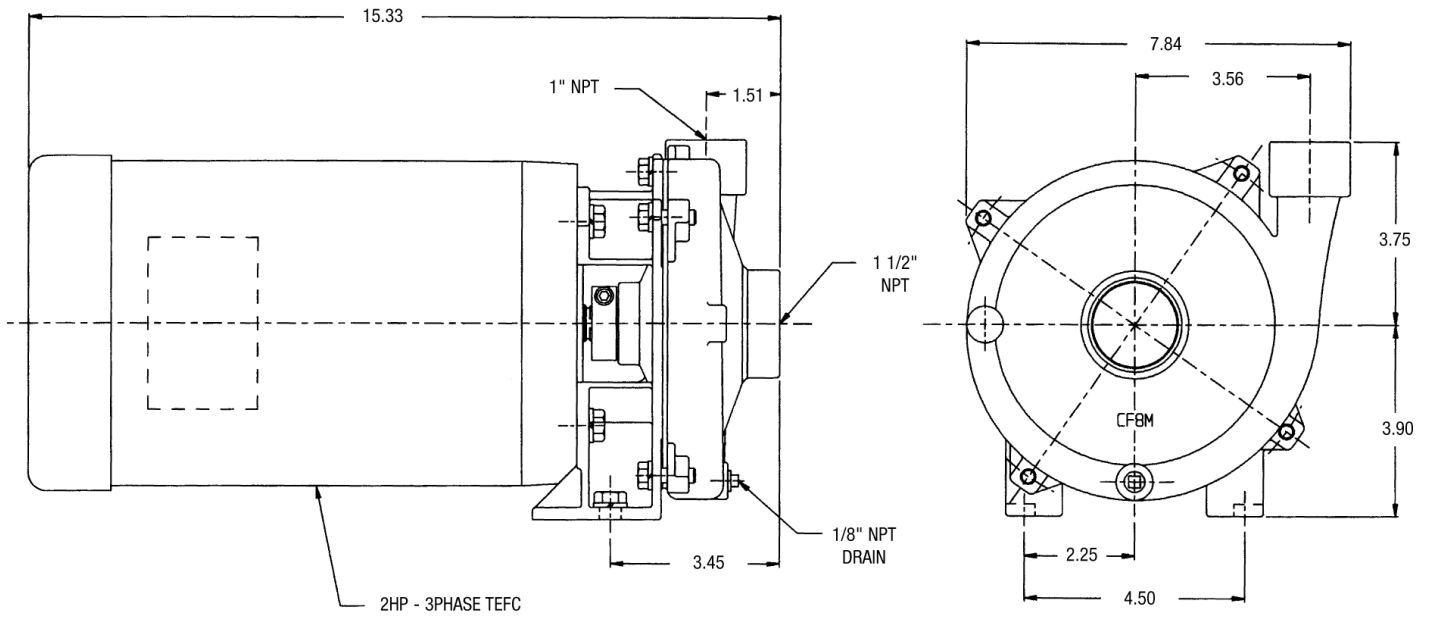
Suction And Discharge	1-1/2" x 1" NPT
Materials Of Construction	316 stainless steel, CFB (nickel aluminum bronze)
Flow	Up to 128 GPM
Head Feet	Up to 103'
Impeller	6" semi-open, cast 316 stainless steel
Motor	Up to 3 HP
Drive Options	Close coupled 56C, Close coupled 145TC, Pedestal, PumPAK® (without motor)
Seal	Special seal material combinations available (consult factory), Standard carbon / ceramic / Viton
Options	Hydraulic motor .22 cu. in., Hydraulic motor .37 cu. in., Tap for recirculation or seal flush

CHEMFLO 1



34800 BENNETT - FRASER, MI 48026-1686
 (586) 293-8240 - FAX (586) 293-8469
 (800) 563-8006 - www.mppumps.com

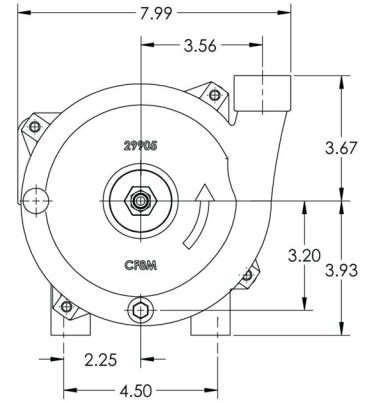
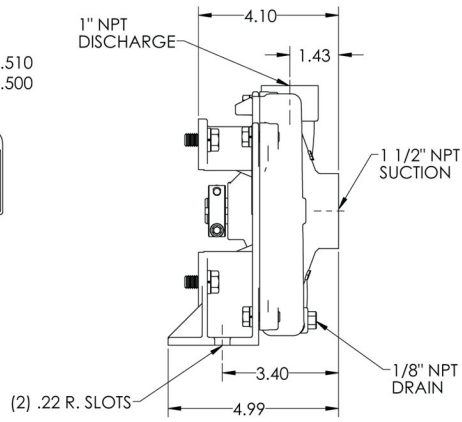
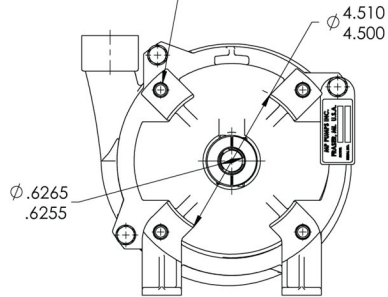




CHEMFLO 1

DRAWING NO
29915

Ø.44 THRU (4) HOLES
EQ. SPACED AS SHOWN
ON A Ø5.880 B.C.



NOTE: THIS DRAWING OR PRINT, PROPERTY OF MP PUMPS, INC. CONTAINS PROPRIETARY AND CONFIDENTIAL INFORMATION. IT SHALL BE USED ONLY AS APPROVED BY MP PUMPS AND SHALL NOT BE GIVEN TO OTHERS OR COPIED WITHOUT THE WRITTEN CONSENT OF MP PUMPS. RETURN TO MP PUMPS PROMPTLY WHEN REQUESTED.

W/6.0 DIA. IMPELLER - T-2100

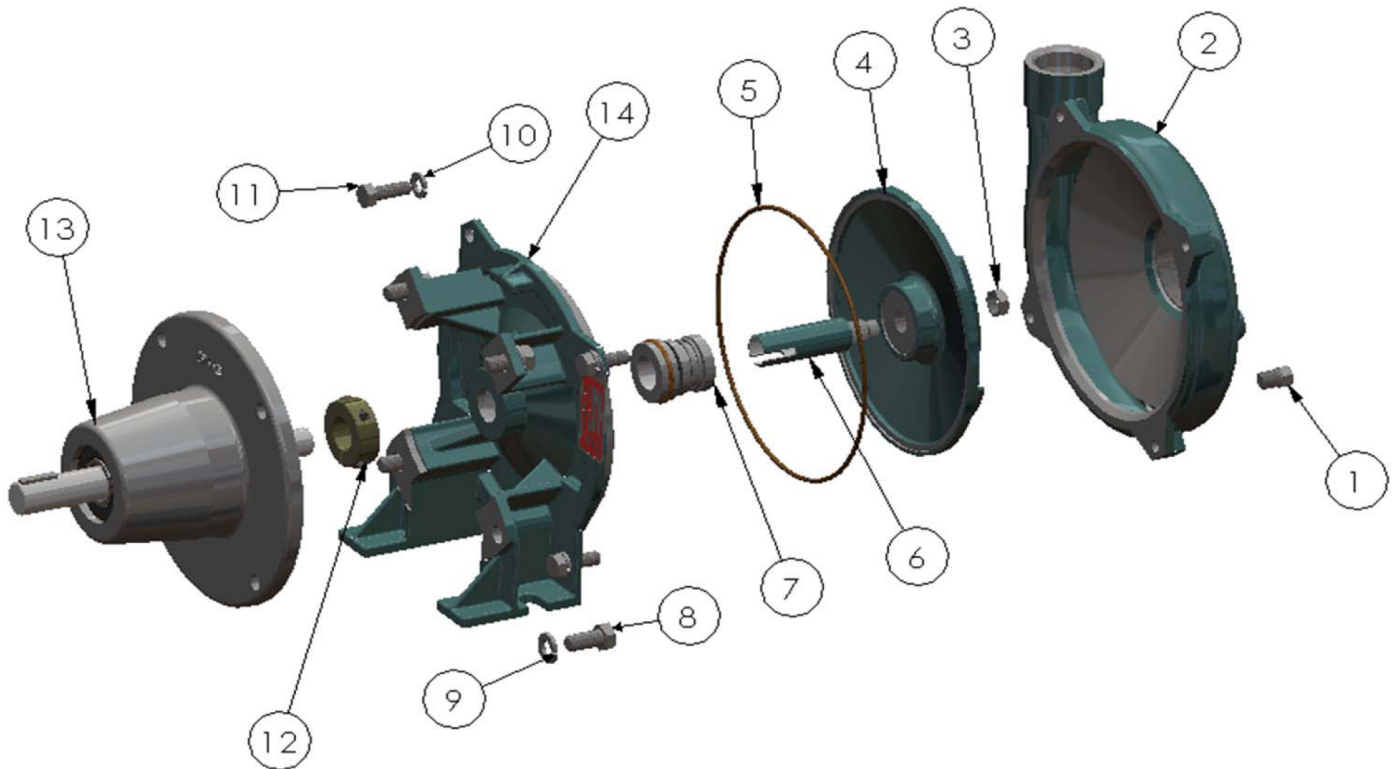
G					UNLESS OTHERWISE NOTED THIRD ANGLE PROJECTION 2 PLACE DIM 3 PLACE DIM ANGULAR DIM DO NOT SCALE	MP PUMPS, INC.				
F						FRASER, MICHIGAN 48026, U.S.A.				
E						MATERIAL:	STAINLESS STEEL CF8M			
D						DRAWN BY:	DATE COMP.:	APPROV.:	SCALE:	MADE FOR:
C						C.W.	8-10-11	D.G.	FULL	MADE FROM:
B						NAME: CF 1 PUMPAK				
A						DRAWING NO: 29915				
REV	DESCRIPTION	DRAWN	DATE	EN						



34800 BENNETT - FRASER, MI 48026-1686
(586) 293-8240 - FAX (586) 293-8469
(800) 563-8006 - www.mppumps.com

CHEMFLO 1

30328

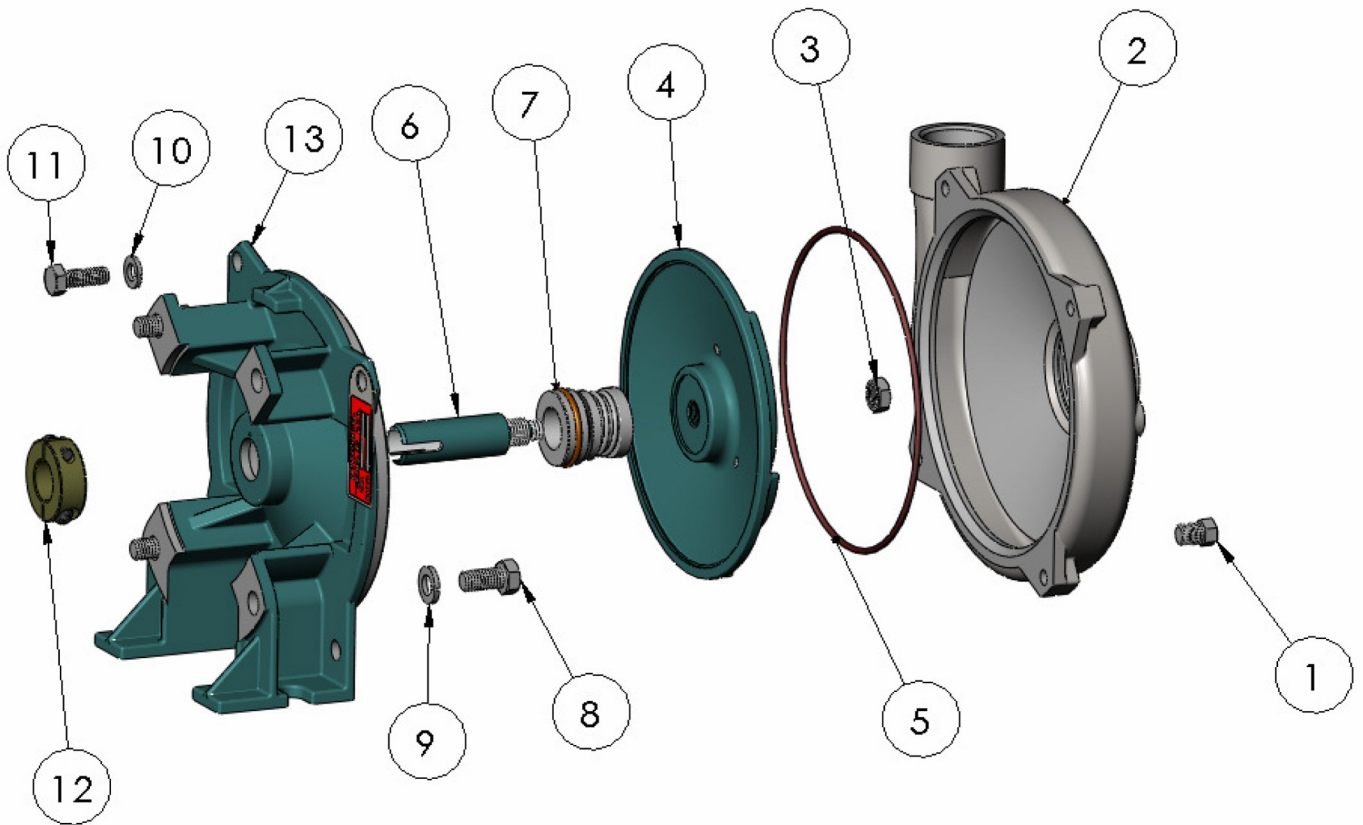


ITEM NO.	PART NO.	DESCRIPTION	QTY.
1	21255	PIPE PLUG S.S. - 1/8 NPT	1
2	29906	HOUSING S.S.	1
3	35598	HEX JAM NUT S.S. - 3/8-24	1
4	29910	IMPELLER S.S. - 6.0 DIA.	1
* 5	29715	O RING - VITON	1
6	29785	DRIVE SLEEVE S.S.	1
* 7	30061	SEAL ASSY. - 3/4" T-2100	1
8	25663	HEX HD. CAPSCREW S.S. - 3/8-16 X .75	4
9	21266	LOCKWASHER S.S. - 3/8	4
10	21238	LOCKWASHER S.S. - 5/16	4
11	21242	HEX HD. CAPSCREW S.S. - 5/16-18 X .88	4
12	28049	CLAMP STL. - 3/4"	1
13	29670	PEDESTAL ASSY. C.I.	1
14	29908	ADAPTER S.S.	1

*- RECOMMENDED REPLACEMENT PARTS



29915

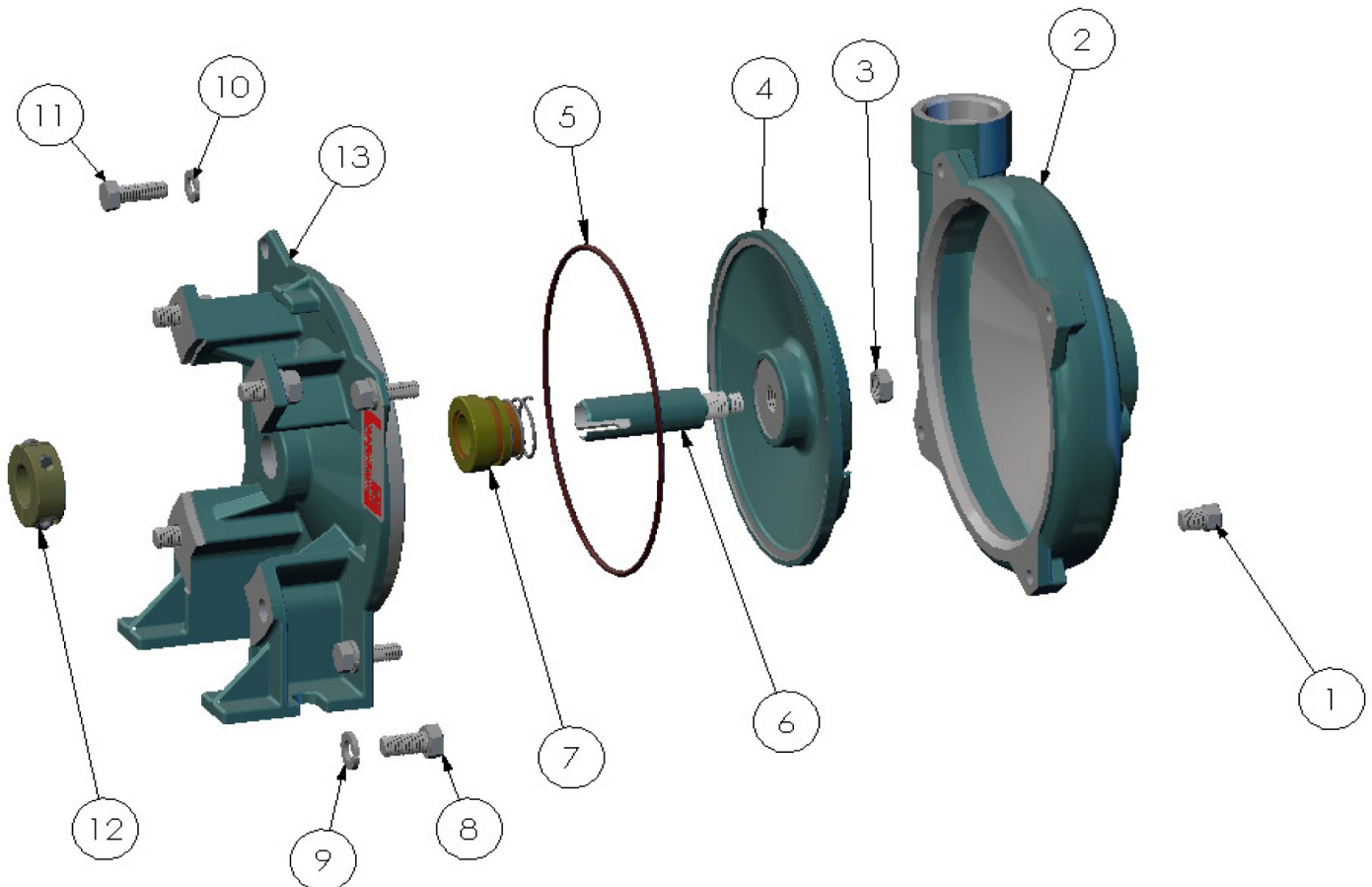


ITEM NO.	PART NO.	DESCRIPTION	QTY.
1	21255	PIPE PLUG SS - 1/8 NPT	1
2	29906	HOUSING S.S.	1
3	35598	HEX JAM NUT S.S. - 3/8-24	1
4	29910	IMPELLER S.S. - 6.0 DIA.	1
*	29715	O RING - VITON	1
6	29785	DRIVE SLEEVE S.S.	1
*	30061	SEAL ASSY. - 3/4" T-2100	1
8	25663	HEX HD. CAPSCREW S.S. - 3/8-16 X .75	4
9	21266	LOCKWASHER S.S. - 3/8	4
10	21238	LOCKWASHER S.S. - 5/16	4
11	21242	HEX HD. CAPSCREW S.S. - 5/16-18 X .88	4
12	28049	CLAMP STL... - 3/4" SL.	1
13	29908	ADAPTER S.S.	1

*- RECOMMENDED REPLACEMENT PARTS



34800 BENNETT - FRASER, MI 48026-1686
 (586) 293-8240 - FAX (586) 293-8469
 (800) 563-8006 - www.mppumps.com



ITEM NO.	PART NO.	DESCRIPTION	QTY.
1	36355	PIPE PLUG BRONZE - 1/8 NPT	1
2	36341	HOUSING BRONZE	1
3	36354	HEX JAM NUT BRONZE - 3/8-24	1
4	36347	IMPELLER BRONZE - 6.0 DIA.	1
*	5	O RING - VITON	1
6	36353	DRIVE SLEEVE BRONZE	1
*	7	SEAL ASSY. - 3/4" T-2100	1
8	25663	HEX HD. CAPSCREW S.S. - 3/8-16 X .75	4
9	21266	LOCKWASHER S.S. - 3/8	4
10	21238	LOCKWASHER S.S. - 5/16	4
11	21242	HEX HD. CAPSCREW S.S. - 5/16-18 X .88	4
12	36384	CLAMP S.S. - 3/4" SL.	1
13	36345	ADAPTER BRONZE	1

*- RECOMMENDED REPLACEMENT PARTS

