

# *Owners Installation, Operation, and Safety Manual*

---



Series **300V**

Fuel Transfer Pump

Series 300V – 115 and 230 VOLT AC

## Table of Contents

Table of Contents.....	2
Thank You!.....	2
About This Manual .....	2
Safety Information.....	3
Installation.....	3
Anti-Siphon Device .....	7
Nozzle Boot Installation .....	7
Electrical Wiring .....	8
Wiring Procedure .....	8
Operating Instructions.....	9
Pad Locking .....	9
Trouble Shooting.....	9
Accessories.....	11
Safety Testing Approvals .....	11
Replacement Parts Information.....	11
Fluid Compatibility.....	14
Technical Information / Specifications.....	15
300VE Model Information.....	16

## Thank You!

Thank you for your purchase of the Fill-Rite series 300V pump! Your Fill-Rite product comes with over 50 years of pump manufacturing experience behind it, providing you the value that comes with superior performance, user friendly design, long service life, and solid, simple engineering. Experience that gives you peace of mind.

**Excellence at Work. Excellence in Life.**

## About This Manual

From initial concept and design through its final production, your Fill-Rite pump is built to give you years of trouble free use. To insure it provides that service, **it is critical that you read this entire manual prior to attempting to install or operate your new pump.** Become familiar with the terms and diagrams, and pay close attention to the highlighted areas with the following labels:



**WARNING!** Emphasizes an area in which personal injury or even death could result from failure to follow instructions properly. Mechanical damage may also occur.



**IMPORTANT!** These boxes contain information that illustrates a point that may save time or may be key to proper operation, or clarifies a step.



**CAUTION!** Failure to observe a “Caution” can cause damage to the equipment.

At Tuthill, your satisfaction with our products is paramount to us. If you have questions or need assistance with your product, please contact us at 1-800-634-2695 (M-F 8 AM–5 PM ET).

## Safety Information



**WARNING!** Electrical wiring should be performed **ONLY** by a licensed electrician in compliance with local, state, and national electrical code NEC/ANSI/NFPA 70, NFPA30, and NFPA 30A, as appropriate to the intended use of the pump. Threaded rigid conduit, sealed fittings, and conductor seal should be used. The pump must be properly grounded. Improper installation or use of this pump can result in serious bodily injury, or death!



**WARNING!** To insure safe and proper operation of your equipment, it is critical to read and adhere to all of the following safety warnings and precautions. Improper installation or use of this product can cause serious bodily injury or death!

1. **NEVER** smoke near the pump, or use the pump near open flames when pumping a flammable liquid! Fire can result!
2. A Fill-Rite Filter should be used on the pump outlet to insure no foreign material is transferred to the fuel tank.
3. Threaded pipe joints and connections should be sealed with the appropriate sealant or sealant tape to minimize the possibility of leaks.
4. Storage tanks should be securely anchored to prevent shifting or tipping when full or empty.
5. To minimize static electricity build up, use only static wire conductive hose when pumping flammable fluids, and keep the fill nozzle in contact with the container being filled during the filling process.
6. The pump motor is equipped with thermal overload protection; if overheated, the motor will shut off to prevent damage to the windings. If this happens, **TURN THE PUMP OFF!** When the motor cools, it will restart without warning if the power is on.



**WARNING!** This product shall not be used to transfer fluids into any type of aircraft.



**WARNING!** This product is not suited for use with fluids intended for human consumption or fluids containing water.

## Installation

The Fill-Rite series 300V pump is designed to offer several different mounting configurations. It can be mounted on a skid tank using the tank adapter supplied with the pump (see attached diagrams), direct mounted to the top of an underground tank, or mounted on a concrete island using an optional pedestal adapter (available through your Fill-Rite distributor). Regardless of mounting style, all tanks must be properly vented, and skid tank installations should employ an anti-siphon device.

The series 300V pump has a built in check valve with pressure relief to reduce unsafe excess pressure from thermal expansion of the fluid. It also features an integral bypass valve to help minimize wear when the pump is operating with the nozzle closed.



**WARNING!** In "Skid Tank" applications, be sure the tank is properly secured so it cannot shift or move when the tank is empty or full.



**WARNING!** Installations must comply with all local, state, and national fire codes, as appropriate to the intended use of the pump.



**CAUTION!** A pressure retaining fill cap can be used to reduce fuel loss through evaporation, but note that it may reduce the flow rate.



**CAUTION!** Do not use additional check valves or foot valves unless they have a proper pressure relief valve built into them. Note that additional check valves will reduce rate of flow.

**Typical Skid Tank Installation**



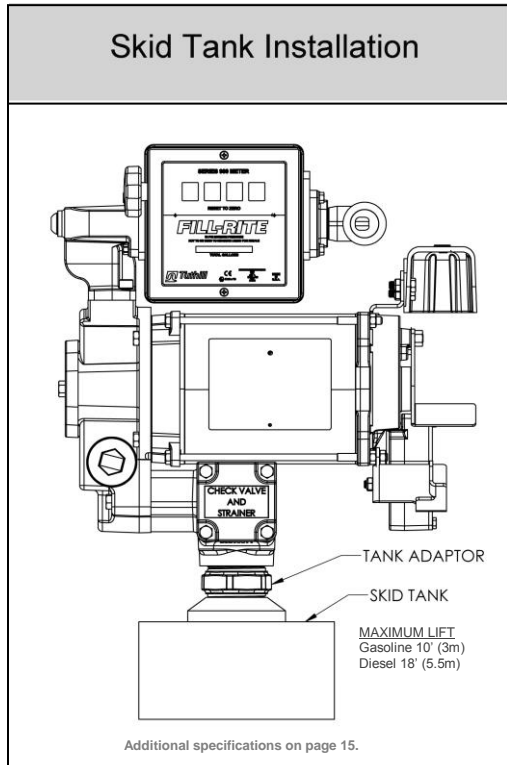
**WARNING!** Threaded pipe joints and connections should be sealed with the appropriate sealant or sealant tape to minimize the possibility of leaks.

**Materials:**

- 1-1/4" pipe cut to a length that will terminate at least 3" from the bottom of the tank when installed into the tank adapter with the tank adapter installed into the tank flange (see **SKID TANK INSTALLATION** diagram).
- Threaded pipe joint sealant appropriate for application.

**Installation Procedure:**

- 1) Thread the 1-1/4" pipe into the tank adapter. Seal threads liquid tight with appropriate thread sealant.
- 2) Install the tank adapter into the tank flange; seal threads liquid tight with appropriate thread sealant.
- 3) Mount the pump on the adapter; seal threads liquid tight with appropriate thread sealant.
- 4) Fill-Rite recommends installation of our Anti-Siphon Device (see page 7 for detailed information).



## Typical Direct Mount Installation (to underground tank)



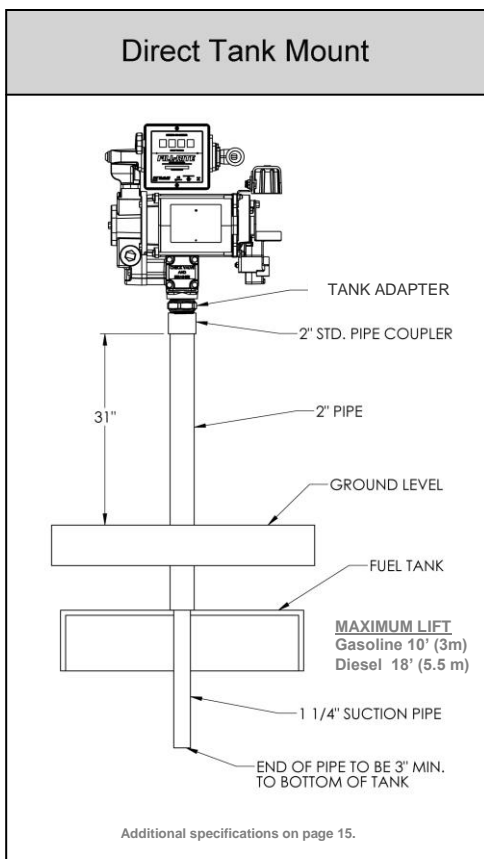
**WARNING!** Threaded pipe joints and connections should be sealed with the appropriate sealant or sealant tape to minimize the possibility of leaks.

### Materials:

- 2" pipe cut to length and threaded at both ends that will extend approximately 31" above the ground when installed in the tank flange.
- 1-1/4" pipe cut to a length that will terminate at least 3" from the bottom of the tank when installed into the tank adapter with the tank adapter installed into the 2" pipe coupler (see **DIRECT MOUNTING INSTALLATION** diagram).
- Threaded pipe joint sealant appropriate for application.

### Installation Procedure:

- 1) Install the 2" pipe in the tank flange; seal threads liquid tight with appropriate sealant.
- 2) Screw a 2" standard pipe coupling onto the top of the pipe; seal threads liquid tight with appropriate sealant.
- 3) Install the 1-1/4" pipe into the tank adapter. Seal threads liquid tight with appropriate sealant.
- 4) Install the tank adapter into the 2" coupling; seal threads liquid tight with appropriate sealant.
- 5) Mount pump on tank adapter; seal threads liquid tight with appropriate sealant.



## Typical “Pedestal / Island” Installation



**WARNING!** Threaded pipe joints and connections should be sealed with the appropriate sealant or sealant tape to minimize the possibility of leaks.

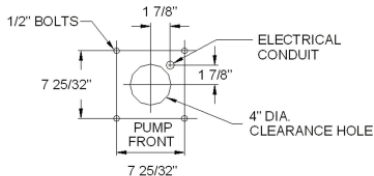
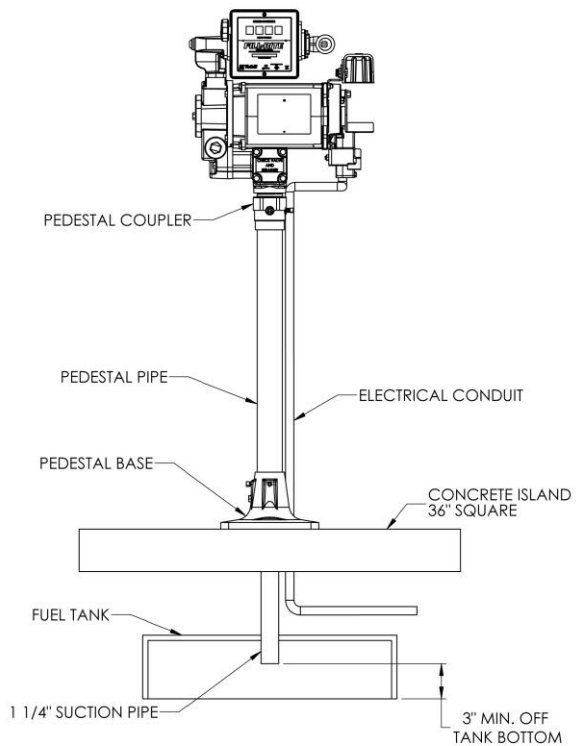
### Materials:

- 1-1/4” threaded suction pipe, cut to extend 32-1/2” above the island.
- FRPA125 Pedestal Kit (includes Pedestal Pipe, Base, & Coupler).
- Threaded pipe joint sealant appropriate for application.

### Installation Procedure:

- 1) Remove the coupler from the pedestal pipe by loosening the set screws.
- 2) Slip the pedestal pipe / pump base assembly over the 1-1/4” suction pipe.
- 3) Loosen the screws in the pedestal base to allow the pedestal pipe to slide down exposing the end of the suction pipe.
- 4) Screw the coupler onto the suction pipe; seal threads liquid tight with appropriate thread sealant.
- 5) Slide the pedestal pipe into the coupler and tighten the set screws.
- 6) Tighten the screws in the pedestal base.
- 7) Mount the pump on the coupler and seal threads liquid tight with appropriate thread sealant.

## Typical Pedestal / Island Installation

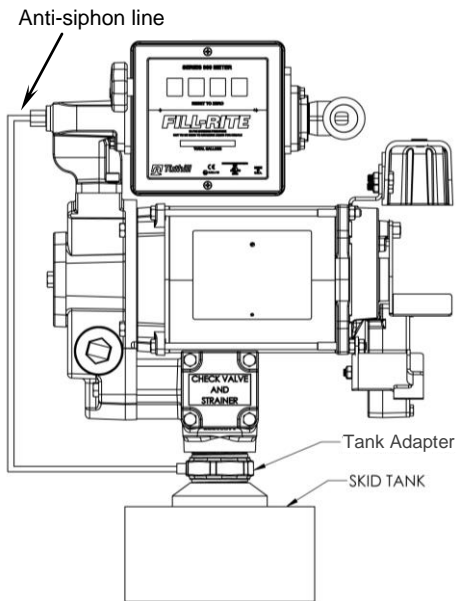


LAYOUT FOR  
BASE ANCHOR BOLTS

Additional specifications on page 15.

## Anti-Siphon Device

Your series 300V pump comes from the factory ready to install an anti-siphon tube back to the tank. An anti-siphon device (a.k.a. vacuum breaker) is important because it will break a liquid siphon if there is an open nozzle or a leaking hose below the fluid level in the tank when the pump is turned off. Fill-Rite recommends anti-siphon kit #KIT700AS be installed from the pump outlet back to the vapor space in the tank.



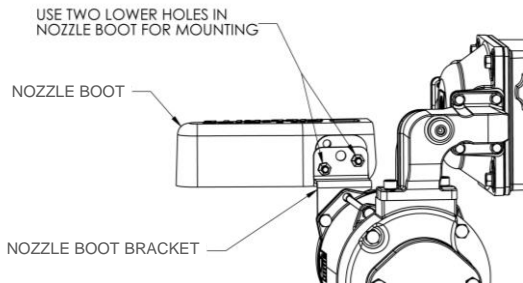
This illustration shows where to install the tube so that it terminates in the vapor space at the top of the tank. The tube must terminate in the vapor space; if it terminates below the fluid level in the tank, it will not prevent siphoning. It is very important there are no liquid traps in the tubing; it must have a continuous slope from the pump down to the tank, and can be connected into any opening in the top of the tank if the tank adapter is not used. Use reducer bushings as required for proper fit and seal. We recommend using the anti-siphon tank adapter with a 1/4 NPT opening in the side. This opening terminates in the vapor space of the tank. Make liquid-tight connections using the appropriate sealant from the adapter to the anti-siphon outlet using a minimum of 1/4 metal tubing that is compatible with whatever liquid is being pumped. If the anti-siphon tank adapter is being used and the 1/4 NPT opening is not used

for the tubing, leave the factory installed plug in place.

Fill-Rite offers **Anti-Siphon kit # KIT700AS** (available through your Fill-Rite distributor). This kit contains the necessary fittings and tubing to complete the installation as pictured in this section. **NOTE: This kit is required ONLY for tank top installations.**



**WARNING!** Threaded pipe joints and connections should be sealed with the appropriate sealant or sealant tape to minimize the possibility of leaks.



## Nozzle Boot Installation

The nozzle boot is installed using the lower two screw holes on the side of the boot. Use supplied attaching hardware to install the nozzle boot.

When the nozzle is mounted correctly it will be in a horizontal position.

## Electrical Wiring



**WARNING!** Electrical wiring should be performed **ONLY** by a licensed electrician in compliance with local, state, and national electrical code NEC/ANSI/NFPA 70, NFPA30, and NFPA 30A, as appropriate to the intended use of the pump. Threaded rigid conduit, sealed fittings, and conductor seal should be used. The pump must be properly grounded. Improper installation or use of this pump can result in serious bodily injury, or death!



**CAUTION!** All pumps should be operated at the Rated Nameplate Voltage. Power should be supplied to the pump from a dedicated 30 amp circuit breaker. No other equipment should be powered by this circuit. Wiring must be of sufficient size to carry the correct current for the pump. Voltage drop will vary with distance to pump and size of wire; refer to the National Electrical Code (NEC), or local codes, for Voltage Drop Compensation to be sure you are using the correct size wire for your application.

## Wiring Procedure



**WARNING!** The “AUX.” wire **IS A LIVE WIRE** when the switch is on! The “AUX” lead wire is insulated and enclosed when shipped. **DO NOT** connect this wire without first verifying the “ON” line voltage of the wire for compatibility with the equipment to be installed. Maximum amperage on this wire is 1 amp. The “AUX” wire must be insulated and enclosed in the junction box if not used.

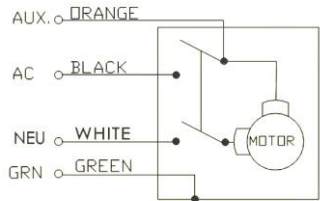
- 1) Remove the junction box cover and straighten the wires to make sure the stripped wire ends are accessible outside the junction box.
- 2) Connect the pump wires to the power supply lines according to the diagram. Be certain to properly insulate the connections with the appropriate wire nuts or other connectors. Note that the ground wire **MUST** be connected.
- 3) Fold the wires back into the junction box and replace the cover, making sure the cover gasket is in place.

Use the Voltage Selector Switch on the end of the pump to select the input voltage for the pump. **NOTE:** The pump comes from the factory pre-set to 115 VAC position (see diagram top of page 9).

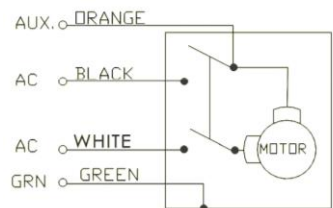


**IMPORTANT!** Be certain the gasket for the cover is in place, and the screws draw the cover down tight over the junction box. There must be no gap between the junction box and its cover.

### **115 VOLT WIRE DIAGRAM** **AUX LEAD RATED 1.0 AMP**



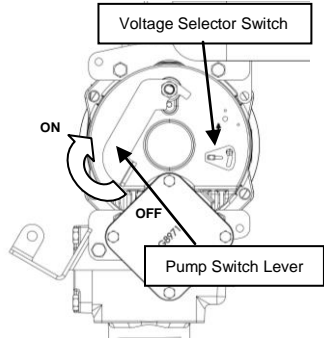
### **230 VOLT WIRE DIAGRAM** **AUX LEAD RATED 1.0 AMP**





## Operating Instructions

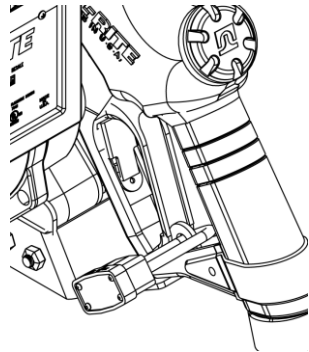
- 1) Reset Meter to "0" (if applicable).
- 2) Remove dispensing nozzle from nozzle boot.
- 3) Move the switch lever to the "ON" position to power the pump.
- 4) Insert the dispensing nozzle into the container to be filled.
- 5) Operate the nozzle to dispense fluid; release nozzle when the desired amount of fluid has been dispensed.
- 6) Move switch lever to the "OFF" position to stop the pump.
- 7) Remove the dispensing nozzle from the container and store it in the nozzle boot.



**CAUTION!** Always keep the nozzle in contact with the container being filled **during the filling process** to minimize the possibility of static electricity build up.

## Pad Locking

Your Fill-Rite pump nozzle can be pad locked for added security. With the pump turned off, and the nozzle in the stored position, a pad lock can be inserted through the nozzle rest and nozzle handle opening. This configuration prevents the nozzle from being removed from the nozzle cover.



## Trouble Shooting

The following Trouble Shooting guide is provided to offer basic diagnostic assistance in the event you encounter abnormal service from your Tuthill product.



**WARNING! DO NOT** open or attempt to repair the motor on your Tuthill pump. Return it to the place of purchase for service. **Opening the motor case can compromise the integrity of the Explosion Proof construction and will void any existing warranty and certification (UL listing).**

If you have questions regarding installing, operating, or servicing your product, please feel free to contact our Customer Service Department at 1-800-634-2695 (M-F 8 AM–5 PM ET). You can also reach us on the World Wide Web at "www.tuthill.com".



**WARNING!** Be certain all power to the pump is turned off prior to performing any service or maintenance.

## Trouble Shooting (cont'd)

Symptom	Cause	Cure
Pump won't prime.	1. Suction line problem.	Check for leaks in suction line
	2. Bypass valve open.	Remove and inspect valve; must move freely & be free of debris.
	3. Vanes sticking.	Check vanes and slots for nicks, burrs and wear.*
	4. Excessive rotor or vane wear.	Inspect rotor & vanes for excessive wear or damage; replace if necessary.*
	5. Outlet blocked.	Check pump outlet, hose, nozzle & filter for blockage.
	6. Vapor Lock	Reduce vertical and horizontal distance from pump to liquid; remove automatic nozzle.
Low capacity.	1. Excessive dirt in screen.	Remove and clean screen.
	2. Suction line problem.	Check suction line for leaks or restrictions; it may be too small, too long or not airtight.
	3. Bypass valve sticking.	Remove and inspect valve; must move freely & be free of debris.
	4. Vanes sticking.	Check vanes and slots for wear.*
	5. Excessive rotor or vane wear.	Inspect rotor & vanes for excessive wear or damage; replace if necessary.*
	6. Hose or nozzle damage.	Replace hose or nozzle.
	7. Plugged filter.	Replace filter.
	8. Low fluid level.	Fill tank.
Pump runs slowly.	1. Incorrect voltage.	Check incoming line voltage while pump is running.
	2. Vanes sticking.	Inspect vanes and slots for nicks, burrs and wear.*
	3. Wiring problem.	Check for loose connections.
	<b>4. Motor problem.</b>	<b>Return to place of purchase.</b>
Motor stalls.	1. Bypass valve sticking.	Remove and inspect valve; must move freely & be free of debris.
	2. Low voltage.	Check incoming line voltage while pump is running.
	3. Excessive rotor or vane wear.	Check rotor & vanes for excessive wear or damage.*
	4. Debris in pump cavity.	Clean debris from pump cavity.
Motor overheats (Thermal overload tripped) .	1. Pumping high viscosity fluids.	These fluids can only be pumped for short periods of time (less than 30 minutes duty cycle).
	2. Clogged screen.	Remove and clean screen.
	3. Restricted suction pipe.	Remove and clean pipe.
	<b>4. Motor failure.</b>	<b>Return to place of purchase.</b>
	5. Pump rotor lock-up.	Clean and check pump rotor and vanes.*
Motor Inoperative.	1.No power	Check incoming power.
	<b>2. Switch failure.</b>	<b>Return to place of purchase.</b>
	<b>3. Motor failure.</b>	<b>Return to place of purchase.</b>
	<b>4. Thermal protector failure.</b>	<b>Return to place of purchase.</b>
	5. Incorrect/loose wiring.	Check wiring.

## Trouble Shooting (cont'd)

Symptom	Cause	Cure
Fluid leakage.	1. Bad o-ring gasket.	Check all o-ring gaskets.
	2. Dirty shaft seal.	Clean seal & seal cavity.
	3. Bad shaft seal.	Replace seal.
	4. Incompatible fluid.	Refer wetted parts list to fluid manufacturer (see page 14).
	5. Loose fasteners.	Tighten fasteners.
Pump hums but will not operate.	1. Dirt in pump cavity.	Clean out pump cavity.
	<b>2. Motor failure.</b>	<b>Return to place of purchase.</b>
	3. Broken rotor insert.	Remove all debris & replace insert.

**Bold text** indicates repairs that are not serviceable by the owner; pump must be returned to the point of purchase for repairs.

\* Repairs marked with an asterisk (\*) will require Repair Kit #300KTF7794. This kit includes a replacement rotor and new vanes, as well as a number of other important seals and components to complete the repair. Details of this kit are on page 13.

## Accessories

A wide variety of accessories are available to help you maximize the performance of your Fill-Rite pump. Listed below are the applicable available accessories for your specific product.

Please contact your authorized Fill-Rite distributor to purchase the accessories you need.

Part Number	Description
F4010PM0	1" Filter Kit (Particulate 10 micron)
F4030M0	1" Filter Kit (Particulate 30 micron)
700ACCF7017	1" Filter Head
FRPA125	Island Pedestal Mount Kit
KIT700AS	Anti-Siphon Kit
FRH10012	1" Hose (12')
FRH10014	1" Hose (14')
FRHA10020	1" Arctic Duty Hose (20')
FRHMN100S	1" Nozzle Kit, Manual Leaded Spout
N100DAU13	1" Auto Shut Off Nozzle (Ultra High Flow Diesel)
N100DAU10	1" Auto Shut Off Nozzle (High Flow Diesel)
FRNA100DAU00	1" Auto Shut Off Nozzle (Arctic Duty - Diesel)
S100H315	1" Multi-Plane Swivel

## Safety Testing Approvals

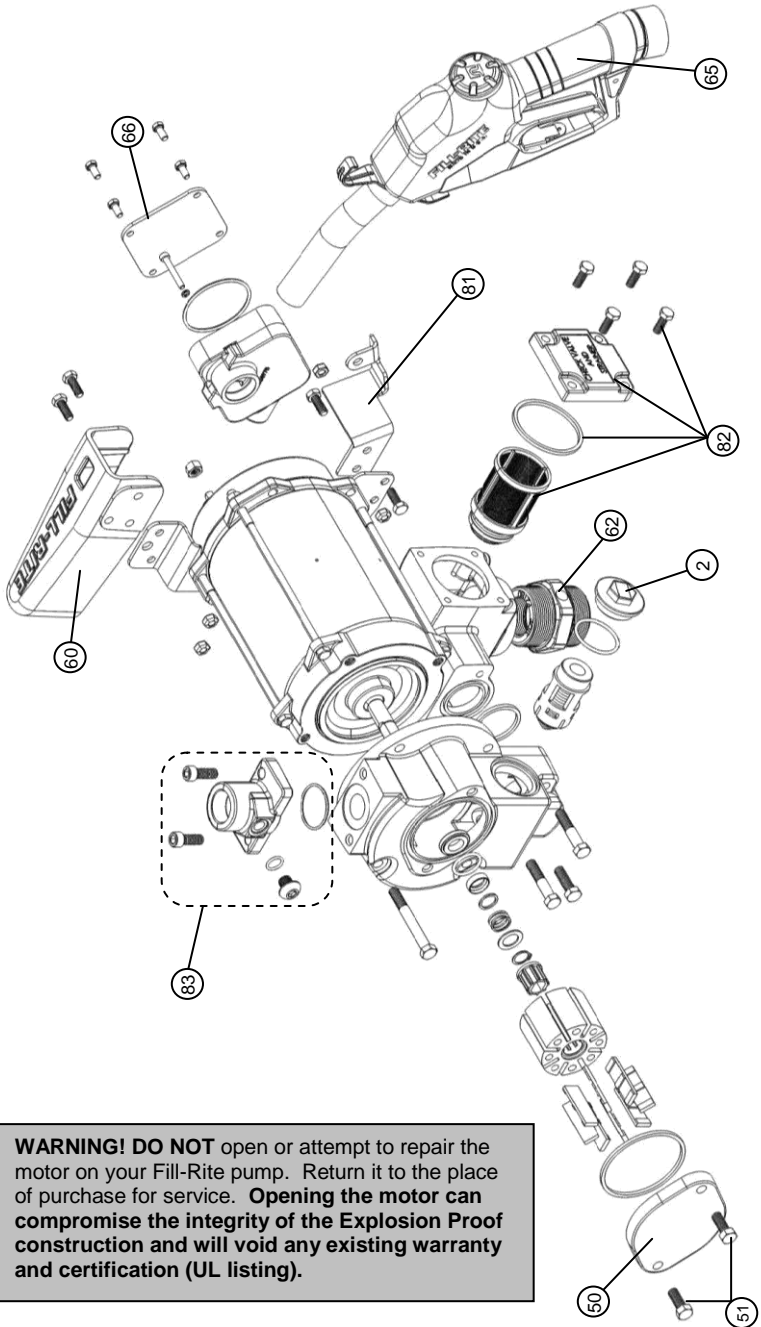
The **Fill-Rite** line of pumps have been safety tested for compliance to the standards set forth by UL Laboratories (NOTE : Motor only on BD310V bio-diesel model).



## Replacement Parts Information

For repairs or routine maintenance, Fill-Rite offers the parts you need. The following parts diagram and list covers all applicable parts for your Fill-Rite product. These parts can be obtained through any authorized Fill-Rite dealer. Be sure to use only genuine Fill-Rite replacement parts for your service and maintenance needs. For a list of authorized dealers, please visit our web site at "www.fillrite.com".

# FR310V Parts List



**WARNING! DO NOT** open or attempt to repair the motor on your Fill-Rite pump. Return it to the place of purchase for service. **Opening the motor can compromise the integrity of the Explosion Proof construction and will void any existing warranty and certification (UL listing).**

## FR300V Parts List

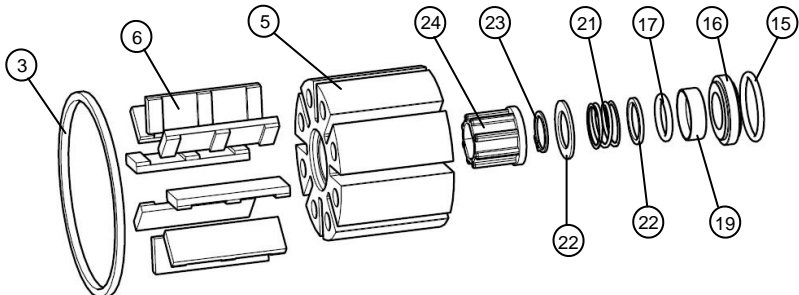
No	Part / Kit #	Description	Kit #	Qty
2	KIT300BV	Bypass Kit (includes cap, valve, and gasket)		1
3	Repair Kit 300KTF7794**	Gasket, Lathe Cut, Nitrile	Seal Kit KIT700SL	1
5		Pump Rotor, Machined		1
6		Vane, Carbon Epoxy Impregnated		8
11		O-Ring, Flourocarbon, -131		1
15		O-Ring, Flourocarbon,-120		1
16		Inner Seal, Carbon		1
17		O-Ring, Flourocarbon,-114		1
19		Seal Ring		1
21		Spring, Seal		1
22		Washer, Shaft		1
23		Retaining Ring, External 5/8		1
24		Rotor Insert		1
28		Gasket, Lathe Cut, Nitrile		1
30		Bypass Assembly		1
33		Gasket, Lathe Cut, Nitrile		1
50	Rotor Cover	1		
51	Attaching Screws	2		
60	KIT120NB	Standard Nozzle Boot, Cast		1
62	KIT700BG	Machined Tank Adapter AST 2 x 1¼		1
65	N100DAU13	1" Automatic Nozzle (truck diesel spout)		1
66	KIT300JC	Junction Box Cover (includes hardware and gasket)		1
80	KIT300MA	Meter Flange (includes hardware and gaskets)		1
81	KIT300NR	Nozzle Retainer (includes hardware)		1
82	KIT300SG	Check Valve / Strainer Cover		1
N/S	KIT300BD	Bio-Diesel Conversion Kit		1
N/S	KIT700AS	Anti-Siphon Kit	See page 7	1
83	KIT300OT	Straight Outlet Flange (includes hardware and gaskets)		1
N/S	KIT300SW	Switch Lever (includes attaching nut)		1

\*Rotor cover (50) and screws (51) are included in 300KTF7794

\*\*Use BD300KTH0712 for model BD310V

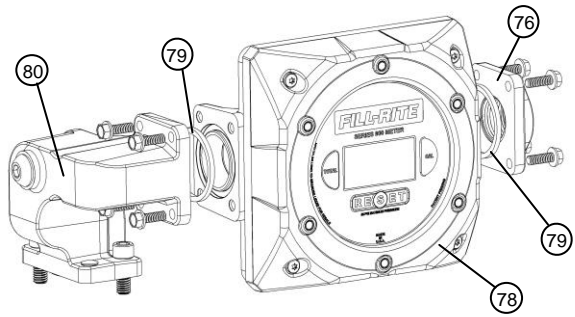
N/S = Not Shown in any diagrams

### Repair Kit 300KTF7794 and Seal Kit KIT700SL Detail



## FR319V Parts List

The FR319V configuration adds a 900DB or 900DP series digital meter, inlet meter flange, outlet meter flange, the associated attaching hardware, and gaskets. This package is available in pulsing or non-pulsing configuration.

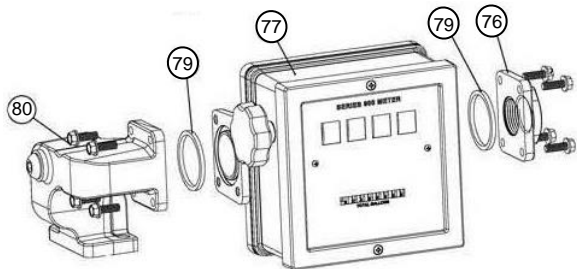


No.	FR319VB (Non-pulsing Meter pkg.)	Description	FR319VBP (Pulsing Meter pkg.)	Qty
78	900DB Digital Meter (no pulser) FR319VB	900DB Meter (only)	900DP Meter (w/integral pulser) FR319VBP	1
76		Meter Flange		1
79		Meter Gasket		2
80		1" Meter Fitting		1
78	FR900DB	900DP Meter (only)		1
N/S		Intrinsic Safety Barrier*	KIT900DPBA	1

\*For use with 900DP pulsing meter only

## FR311V Parts List

The FR311V configuration adds a 900 Series mechanical meter, inlet meter flange, outlet meter flange, the associated attaching hardware, and gaskets. This package is available in gallon or liter register.



No.	Gallon Kit Number	Description	Liter Kit Number	Qty
77	901	900 Meter (only) (Gallons)		1
76	900 Meter (Gallon) Kit # 901MK300V	Meter Flange	900 Meter (Liter) Kit # 901LMK300V	1
79		Meter Gasket		2
80		1" Meter Fitting		1
77		900 Meter (only) (Liters)	901L	1

## Fluid Compatibility

Diesel Fuel    Gasoline    Kerosene    Mineral Spirits    Stoddard Solvents  
Heptane    Bio-Diesel (B20 max.)    \*Bio-Diesel (B21 – B100)



**IMPORTANT!** If in doubt about compatibility of a specific fluid, contact supplier of fluid to check for any adverse reactions to the following wetted materials: **cast iron; steel; zinc plated steel; 300 series stainless steel; bronze; carbon; ceramic; polyester; fiber; fluorocarbon; buna; 400 series stainless steel; aluminum.**

\*Model BD310V **ONLY**

## Technical Information / Specifications

### Design Features

- Inlet: Bung : 2" male NPT; Suction pipe- 1-1/4" female NPT.
- Outlet: 1" NPT, or 1" BSPT (BSPT on model FR310VEMN and FR311VELMN).
- Cast iron pump housing: iron (composite) rotor, and carbon (composite) vanes.
- Security: Pump equipped for padlocking (see page 9 for details).
- Thermal Overload Protection.
- Heavy Duty Switch.
- 30 Minute Duty Cycle.
- Explosion proof motor UL listed with sealed bearings that require no maintenance.
- Integral check valve with pressure relief on inlet side prevents pressure build up and improves vertical lift.
- Easy access strainer.
- Automatic bypass valve.
- 2" threaded base for tank openings.
- Constant Amp Draw (Service Factor of 1.0):
  - 115VAC 60Hz – 9.8 amps
  - 230VAC 60Hz – 4.9 amps

### Overall Dimensions:

Model 310V: 17.12" wide X 15" high x 14.9" deep.

Model 311V: 17.12" wide X 19.25" high x 14.9" deep.

Model 319V: 17.12" wide x 19.4" high x 14.9" deep.

### Shipping Weight:

FR310V: 80 lbs. / FR311V: 91 lbs. / FR319V: 92 lbs.

### Accessories:

- See Page 11 for a complete list of available accessories.

### Performance:

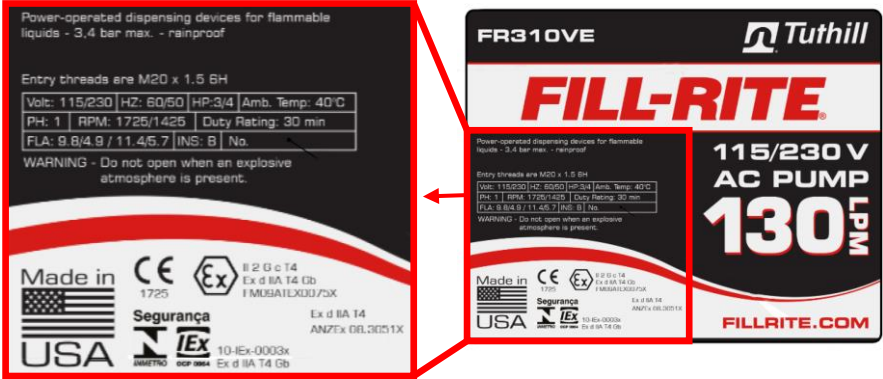
- 26 psi (1.79 bar) maximum pressure @ pump outlet.
- Up to 32.2 gallons (121.9 liters) per minute.
- Maximum viscosity of fluid pumped: #2 diesel fuel.
- Maximum Pump Operating Temperature: 150 degrees F (66 degrees C).
- Minimum Pump Operating Temperature: minus 20 degrees F (minus 29 degrees C) (note that operation at minus 20 degrees requires the "Arctic Nozzle" and "Arctic Hose" in the accessories section on page 11).
- Maximum Suction Lift: 10' (3 m) for gasoline; 18' (5.5 m) for #2 diesel fuel (the lift in feet is equal to the vertical distance from the surface of the fluid in the tank to the inlet of the pump, **LESS friction losses** through the vertical and horizontal runs of pipe, all elbows, and other fittings. System should be set up to require a **minimum** amount of suction lift).



**IMPORTANT!** All threaded connections on 300 series "M" suffix model pumps and meters are **BSPT standard threads**, ***NOT*** NPT standard threads as described elsewhere in this manual. Be sure to check the model tag affixed to the motor to be certain which model pump you have.

## ATTENTION!

The following information is for suffix “E” pumps and meters (designed for use in Europe, Australia, Brazil, and New Zealand)! Refer to the information label applied to your pump to see if it is applicable.



### Materials of Construction

Materials of construction of the external surface of the unit are: painted steel; painted cast iron; painted aluminum; zinc plated steel.

Materials of construction of the wetted parts are: cast iron; steel; zinc plated steel; 300 series stainless steel; bronze; carbon; ceramic; polyester; fiber; fluorocarbon; buna; 400 series stainless steel; aluminum.

### Repair and Maintenance

Contact the place of purchase for warranty repair and maintenance.

### Special Conditions for Safe Use

The M8 fasteners used for securing the stator housing shall be Class 10.9. The M6 fasteners used for securing the terminal compartments cover shall be Class 8.8.

An electrically conductive hose and nozzle must be used with flammable liquids. To minimize static electricity buildup, keep nozzle in contact with container being filled.

### Installation

Pump must be installed in compliance with EN 60079-14.

Certificates for Compliance of Safety have been obtained for the following agencies for products sold outside the US and Canada. Please refer to the tag on your particular product for its particular compliance data.



Warranty information is available at [www.fillrite.com](http://www.fillrite.com).





**Serie 300V**

**Bomba de transferencia de combustible**

**Serie 300V - 115 y 230 VOLTIOS DE CA**

# Índice

Índice.....	2
¡Gracias!.....	2
Acerca de este manual.....	2
Información de seguridad.....	3
Instalación.....	3
Dispositivo antisifón.....	7
Instalación de la envoltura de boquilla.....	7
Cableado eléctrico.....	7
Procedimiento de cableado.....	8
Instrucciones de operación.....	9
Cierre con candado.....	9
Solución de problemas.....	9
Accesorios.....	11
Aprobaciones de pruebas de seguridad.....	11
Información sobre repuestos.....	11
Compatibilidad con líquidos.....	14
Información técnica y especificaciones.....	15
Información del modelo 300VE.....	16




## ¡Gracias!

Gracias por adquirir la bomba Fill-Rite serie 300V. Su producto Fill-Rite cuenta con más de 50 años de experiencia en la fabricación de bombas, lo que le brindará el valor de un rendimiento superior, un diseño fácil de usar, una larga vida útil y un diseño de ingeniería simple y resistente. La experiencia que le proporciona tranquilidad.

Excelencia en el trabajo. Excelencia en la vida.

## Acerca de este manual

Desde el concepto y el diseño inicial hasta el producto final, su bomba Fill-Rite se fabrica para darle años de servicio sin ningún problema. Para garantizar que proporcione dicho servicio, **es fundamental que lea por completo este manual antes de que intente instalar y usar su nueva bomba.** Familiarícese con los términos y diagramas, y preste mucha atención a las áreas destacadas con las siguientes etiquetas:

-  **¡ADVERTENCIA!** Destaca un área en que se pueden producir lesiones corporales e incluso la muerte si no se siguen las instrucciones de manera adecuada. También se pueden producir daños mecánicos.
-  **¡IMPORTANTE!** Estos cuadros contienen información que ilustra un punto que podría ahorrar tiempo o ser clave para la operación adecuada, o que clarifica un paso.
-  **¡PRECAUCIÓN!** No poner atención al aviso de "Precaución" podría provocar daños al equipo.

En Tuthill, su satisfacción con nuestros productos es primordial. Si tiene cualquier duda o necesita asistencia con nuestros productos, comuníquese con nosotros al 1-800-634-2695 (lunes a viernes de 8:00 a. m. a 5:00 p. m., hora del Este).

## Información de seguridad



**¡ADVERTENCIA!** El cableado eléctrico SOLO debe realizarlo un electricista con licencia que cumpla los códigos de electricidad locales, estatales y nacionales NEC/ANSI/NFPA 70, NFPA30 y NFPA 30A, según corresponda para el uso que se le dará a la bomba. Se deben utilizar conductos rígidos roscados, conectores sellados y sellos de conductor. La bomba debe estar debidamente conectada a tierra. La instalación o el uso incorrectos de esta bomba pueden provocar lesiones graves o la muerte.



**¡ADVERTENCIA!** Para garantizar la operación segura y adecuada del equipo, es fundamental que lea y respete todas las precauciones y advertencias de seguridad que se indican a continuación. La instalación o el uso incorrectos de este producto pueden provocar lesiones graves o la muerte.

1. **¡NUNCA** fume cerca de la bomba ni la utilice cerca de una llama mientras bombea un líquido inflamable! Se puede producir un incendio.
2. Se debe utilizar un filtro Fill-Rite en la salida de bomba para garantizar que no se transfiera ningún material extraño al tanque de combustible.
3. Las juntas de tuberías roscadas y las conexiones se deben sellar con un sellador adecuado o cinta selladora para minimizar las posibilidades de filtraciones.
4. Los tanques de almacenamiento deben estar correctamente anclados para evitar su desplazamiento o volcamiento cuando estén llenos o vacíos.
5. Para minimizar la acumulación de electricidad estática, utilice solo un tubo flexible conductor de cableado estático cuando bombee líquidos inflamables y mantenga la boquilla llena en contacto con el recipiente que se esté llenando durante el proceso de llenado.
6. El motor de la bomba está equipado con protección de sobrecarga térmica; si se sobrecalienta, el motor se apagará para evitar daños en los devanados. Si esto sucede, **¡APAGUE LA BOMBA!** Cuando el motor se enfríe, se reiniciará sin advertir si la energía está encendida.



**¡ADVERTENCIA!** Este producto no se debe utilizar para transferir líquidos a ningún tipo de aeronave.



**¡ADVERTENCIA!** Este producto no es apto para su uso con líquidos destinados al consumo humano o líquidos que contengan agua.

## Instalación

La bomba Fill-Rite de la serie 300V está diseñada para ofrecer diferentes configuraciones de montaje. Se puede montar en un tanque sobre patines con un adaptador de tanque proporcionado con la bomba (consulte el diagrama adjunto), se puede montar directamente sobre un tanque subterráneo o en una isla de concreto con el adaptador de soporte opcional (disponible por medio de su distribuidor de Fill-Rite). Independiente del estilo de montaje, todos los tanques deben tener una ventilación adecuada y las instalaciones de tanque sobre patines deben utilizar un mecanismo antisifón.

La bomba de la serie 300V cuenta con una válvula de retención con alivio de presión para reducir la presión excesiva insegura de la expansión térmica del líquido. Además posee una válvula de derivación integral que ayuda a minimizar el desgaste cuando la bomba funciona con la boquilla cerrada.



**¡ADVERTENCIA!** En aplicaciones de “tanque sobre patines”, confirme que el tanque esté correctamente asegurado de manera que no se pueda desplazar o mover cuando esté lleno o vacío.



**¡ADVERTENCIA!** Las instalaciones deben cumplir con todos los códigos de incendio locales, estatales, y nacionales, según corresponda para el uso que se le dará a la bomba.



**¡PRECAUCIÓN!** Se puede utilizar una tapa de llenado para retención de presión, con el fin de reducir la pérdida de combustible por evaporación, pero tenga en cuenta que puede reducir la velocidad del flujo.



**¡PRECAUCIÓN!** No utilice válvulas de retención o de contención adicionales, a menos que éstas tengan incorporada una válvula de alivio de presión adecuada. Observe que las válvulas de retención adicionales reducirán la velocidad del flujo.

### Instalación típica del tanque sobre patines



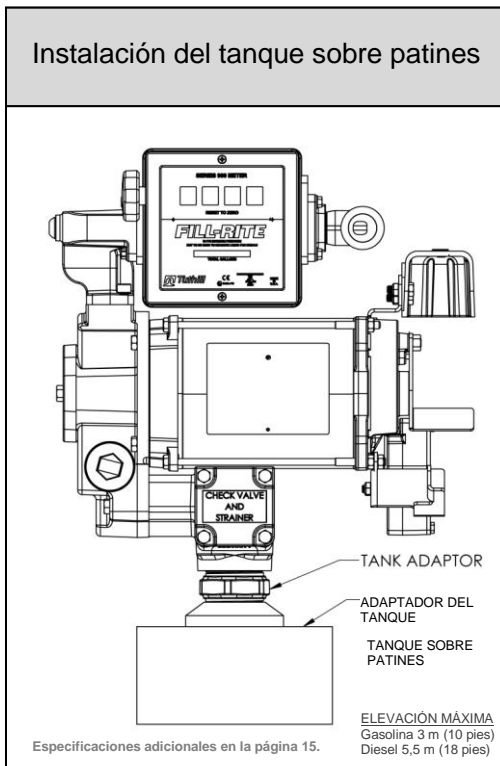
**¡ADVERTENCIA!** Las juntas de tuberías roscadas y las conexiones se deben sellar con un sellador adecuado o cinta selladora para minimizar las posibilidades de filtraciones.

### Materiales:

- Tubería de 1-1/4 pulg. cortada a un largo que termine al menos a 7,62 cm (3 pulg.) del fondo del tanque cuando se instala en el adaptador del tanque, el que a su vez se instala en el reborde del tanque (consulte el diagrama **INSTALACIÓN DEL TANQUE SOBRE PATINES**).
- Sellador de junta de tubería roscada adecuado para la aplicación.

### Procedimiento de instalación:

- 1) Enrosque la tubería de 1-1/4 pulg. en el adaptador del tanque. Selle las roscas para impermeabilizarlas con un sellador apropiado.
- 2) Instale el adaptador del tanque en el reborde del tanque; selle las roscas para impermeabilizarlas con un sellador apropiado.
- 3) Monte la bomba en el adaptador, selle las roscas para impermeabilizarlas con un sellador apropiado.
- 4) Fill-Rite recomienda la instalación de un dispositivo antisifón (consulte la página 7 para obtener información detallada).



## Instalación típica de montaje directo (en un tanque subterráneo)



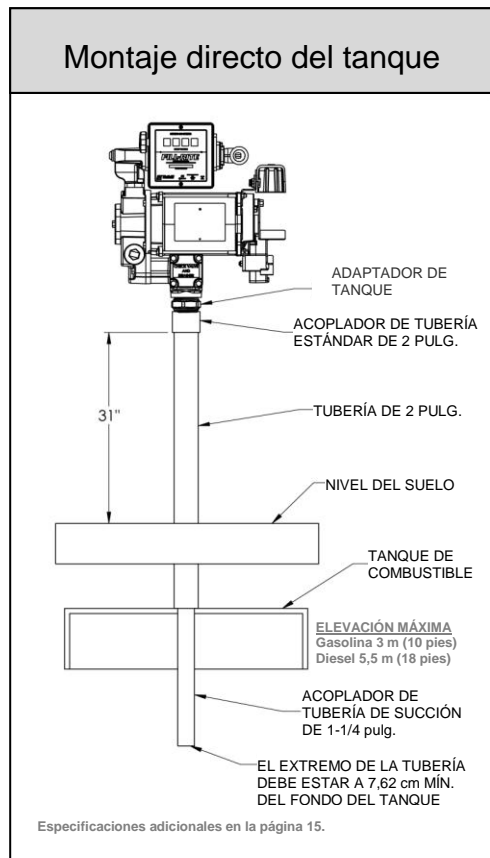
**¡ADVERTENCIA!** Las juntas de tuberías roscadas y las conexiones se deben sellar con un sellador adecuado o cinta selladora para minimizar las posibilidades de filtraciones.

### Materiales:

- Tubería de 2 pulg. cortada y roscada en ambos extremos que se extiende aproximadamente 79 cm (31 pulg.) sobre el terreno cuando se instala en el reborde del tanque.
- Tubería de 1-1/4 pulg. cortada a un largo que termine al menos a 7,62 cm (3 pulg.) del fondo del tanque cuando se instala en el adaptador del tanque, el que a su vez se instala en el acoplador de 2 pulg. (consulte el diagrama **MONTAJE DIRECTO DEL TANQUE**).
- Sellador de junta de tubería roscada adecuado para la aplicación.

### Procedimiento de instalación:

- 1) Instale la tubería de 2 pulg. en el reborde del tanque, selle las roscas para impermeabilizarlas con un sellador apropiado.
- 2) Atornille un acoplamiento de tubería estándar de 2 pulg. en la parte superior de la tubería; selle las roscas para impermeabilizarlas con un sellador apropiado.
- 3) Instale la tubería de 1-1/4 pulg. en el adaptador del tanque. Selle las roscas para impermeabilizarlas con un sellador apropiado.
- 4) Instale el adaptador del tanque en el acoplamiento de 2 pulg., selle las roscas para impermeabilizarlas con un sellador apropiado.
- 5) Monte la bomba en el adaptador del tanque, selle las roscas para impermeabilizarlas con un sellador apropiado.



## Instalación típica de “isla o soporte”



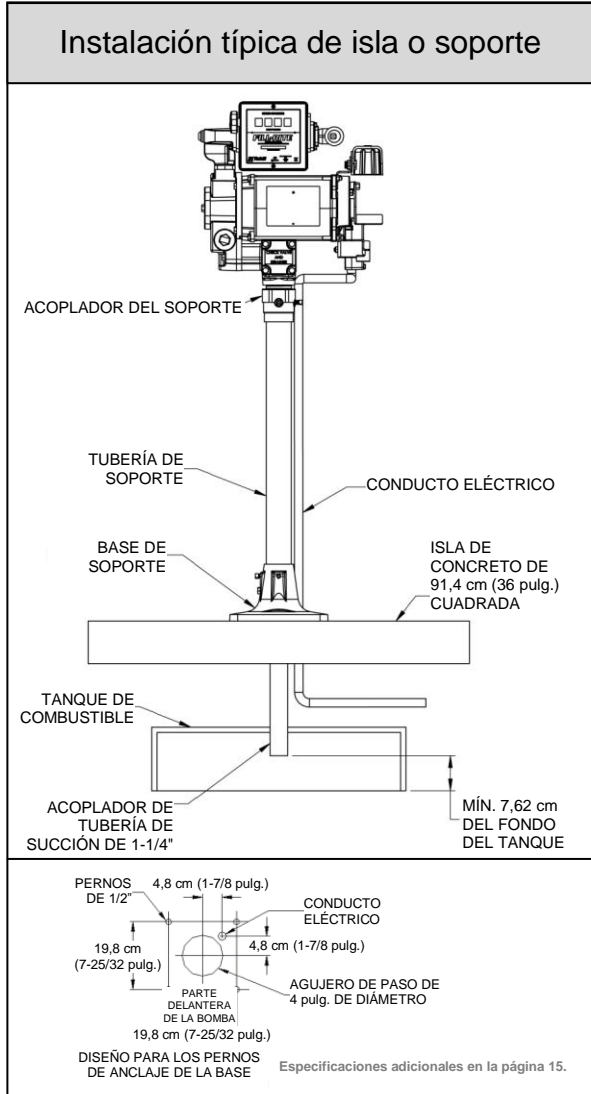
**¡ADVERTENCIA!** Las juntas de tuberías roscadas y las conexiones se deben sellar con un sellador adecuado o cinta selladora para minimizar las posibilidades de filtraciones.

### Materiales:

- Tubería de succión roscada de 1-1/4 pulg., cortada para que se extienda 82,6 cm sobre la isla.
- Juego de soporte FRPA125 (incluye tubería de soporte, base y acoplador).
- Sellador de junta de tubería roscada adecuado para la aplicación.

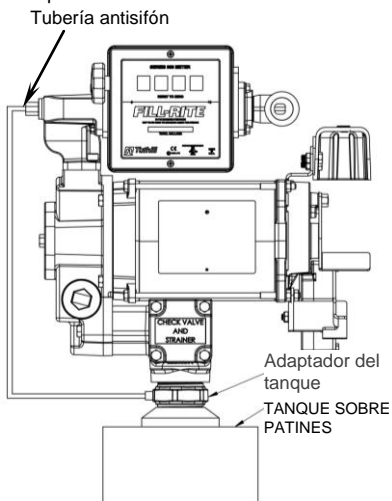
### Procedimiento de instalación:

- 1) Retire el acoplador desde la tubería de soporte soltando los tornillos de fijación.
- 2) Deslice el conjunto de tubería de soporte/base de la bomba sobre la tubería de succión de 1-1/4 pulg.
- 3) Suelte los tornillos en la base del soporte para permitir que la tubería de soporte se deslice y exponga el extremo de la tubería de succión.
- 4) Atornille el acoplador en la tubería de succión, selle las roscas para impermeabilizarlas con un sellador apropiado.
- 5) Deslice la tubería de soporte en el acoplador y apriete los tornillos de fijación.
- 6) Apriete los tornillos en la base del soporte.
- 7) Monte la bomba en el acoplador y selle las roscas para impermeabilizarlas con un sellador apropiado.



## Dispositivo antisifón

Su bomba serie 300V viene preparada de fábrica para instalar una tubería antisifón de vuelta al tanque. Un dispositivo antisifón (también conocido como igualador de presión) es importante debido a que romperá un sifón de líquido si hay una boquilla abierta o un tubo flexible con filtraciones bajo el nivel del líquido en el tanque al apagar la bomba. Fill-Rite recomienda instalar el juego antisifón n.º KIT700AS desde la salida de la bomba de vuelta al espacio para el vapor en el tanque.



Esta ilustración muestra dónde instalar el tubo de manera que termine en el espacio para el vapor en la parte superior del tanque. El tubo debe terminar en el espacio para el vapor; si termina bajo el nivel del líquido en el tanque, no prevendrá el sifonaje. Es muy importante que no haya dispositivos de retención de líquido en la tubería; debe tener una pendiente continua desde la bomba hasta el tanque y se puede conectar en cualquier abertura en la parte superior del tanque si no se utiliza un adaptador de tanque. Utilice casquillos reductores según sea necesario para ajustar y sellar de manera apropiada.

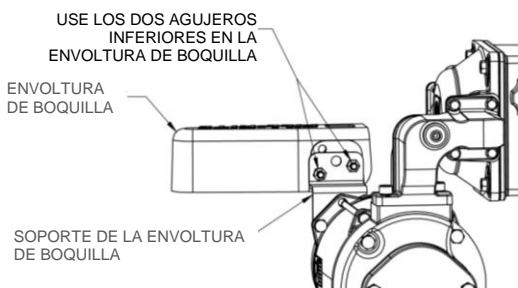
Recomendamos utilizar el adaptador de tanque antisifón con una abertura de 1/4 NPT al costado. Esta abertura termina en el espacio para el vapor en el tanque. Realice conexiones impermeables utilizando el sellador adecuado desde el adaptador hasta el tubo de salida antisifón, con un mínimo de tubería de metal de 1/4 que sea compatible con el líquido que se esté bombeando. Si se

está utilizando el adaptador de tanque antisifón y no se está utilizando la abertura de 1/4 de NPT para la tubería, deje el tapón instalado de fábrica en su lugar.

Fill-Rite ofrece el **juego antisifón n.º KIT700AS** (disponible por medio de su distribuidor Fill-Rite). El juego contiene los conectores y las tuberías necesarios para completar la instalación como se muestra en las imágenes de esta sección. **NOTA: Este juego SOLO se requiere para instalaciones en la parte superior del tanque.**



**¡ADVERTENCIA!** Las juntas de tuberías roscadas y las conexiones se deben sellar con un sellador adecuado o cinta selladora para minimizar las posibilidades de filtraciones.



## Instalación de la envoltura de boquilla

La envoltura de boquilla se instala con el uso de los dos agujeros para tornillo en el costado de la envoltura. Use las piezas metálicas de fijación que se proporcionan para instalar la envoltura de boquilla.

Cuando la boquilla se monta correctamente, estará en posición horizontal.

## Cableado eléctrico



**¡ADVERTENCIA!** El cableado eléctrico SOLO debe realizarlo un electricista con licencia que cumpla los códigos de electricidad locales, estatales y nacionales NEC/ANSI/NFPA 70, NFPA30 y NFPA 30A, según corresponda para el uso que se le dará a la bomba. Se deben utilizar conductos rígidos roscados, conectores sellados y sellos de conductor. La bomba debe estar debidamente conectada a tierra. La instalación o el uso incorrectos de esta bomba pueden provocar lesiones graves o la muerte.



**¡PRECAUCIÓN!** Todas las bombas deben funcionar al voltaje especificado en la placa de identificación. Se debe suministrar energía a la bomba desde un disyuntor de circuito de 30 amperios. Este circuito no debe alimentar a ningún otro equipo. Los cables deben tener el calibre suficiente para transportar la corriente adecuada para la bomba. La caída de voltaje variará con la distancia a la bomba y el calibre del cable. Consulte el National Electrical Code (NEC) o los códigos locales para obtener información sobre la compensación de caídas de voltaje y asegurarse de que está utilizando un cableado del calibre correcto para su aplicación.

## Procedimiento de cableado



**¡ADVERTENCIA!** ¡El cable "AUX" ES UN CABLE CARGADO cuando el interruptor está en posición de encendido! El hilo de plomo conductor "AUX" se aísla y se cierra para el envío. **NO** conecte este cable sin antes verificar que el voltaje de línea "Encendido" del cable para confirmar la compatibilidad con el equipo que se instalará. El amperaje máximo de este cable es 1 amperio. El cable "AUX" se debe aislar y cerrar en la caja de conexiones si no se utiliza.

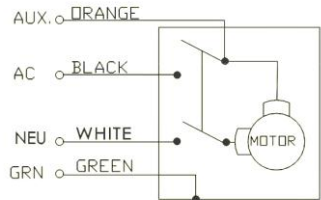
- 1) Retire la cubierta de la caja de conexiones y enderece los cables para asegurarse de que se puede tener acceso a los extremos de los cables pelados fuera de la caja de conexiones.
- 2) Conecte los cables de la bomba a las tuberías de suministro de energía según el diagrama. Asegúrese de aislar correctamente las conexiones con tuercas para hilos u otros conectores adecuados. Observe que el conductor de tierra **DEBE** estar conectado.
- 3) Pliegue los cables de regreso en la caja de conexiones y reemplace la cubierta. Asegúrese de que la junta de la cubierta esté en su lugar.

Use el interruptor selector de voltaje en el extremo de la bomba para seleccionar el voltaje de entrada para la misma. **NOTA:** La bomba viene ajustada previamente de fábrica en la posición de 115 V CA (**consulte el diagrama en la parte superior de la página 9**).

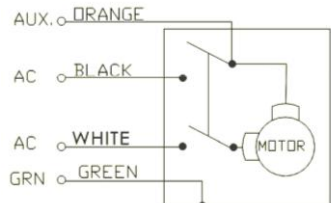


**¡IMPORTANTE!** Asegúrese de que la junta de la cubierta está en su lugar y que los tornillos bajen firmemente la cubierta sobre la caja de conexiones. No debe haber separación entre la caja de conexiones y su cubierta.

**DIAGRAMA DE CABLEADO DE  
115 VOLTIOS  
CONDUCTOR AUX. CON  
CLASIFICACIÓN PARA 1,0 A**



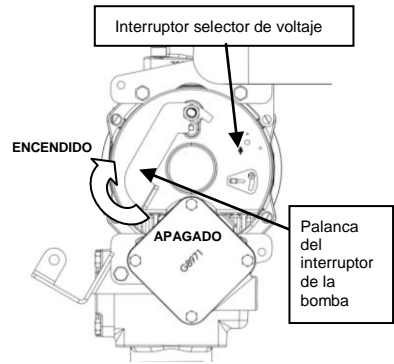
**DIAGRAMA DE CABLEADO DE  
230 VOLTIOS  
CONDUCTOR AUX. CON  
CLASIFICACIÓN PARA 1,0 A**





## Instrucciones de operación

- 1) Restablezca el medidor en "0" (si corresponde).
- 2) Retire la boquilla de dispensación de la envoltura de la boquilla.
- 3) Mueva la palanca del interruptor a la posición "ON" (Encendido) para impulsar la bomba.
- 4) Inserte la boquilla de dispensación en el recipiente que se llenará.
- 5) Opere la boquilla para dispensar el líquido; suelte la boquilla cuando haya dispensado la cantidad deseada de líquido.
- 6) Mueva la palanca del interruptor a la posición "OFF" (Apagado) para detener la bomba.
- 7) Retire la boquilla de dispensación del recipiente y almacénala en la envoltura de la boquilla.



**¡PRECAUCIÓN!** Mantenga siempre la boquilla en contacto con el recipiente que se esté llenando **durante el proceso de llenado** para reducir la posibilidad de acumulación de electricidad estática.

## Cierre con candado

Para mayor seguridad, la boquilla de su bomba Fill-Rite se puede cerrar con un candado. Cuando la bomba está apagada, y la boquilla está en la posición de almacenamiento, se puede insertar a través del apoyo de la boquilla y la abertura del mango de la boquilla. Esta configuración evita que se pueda retirar la boquilla de su cubierta.

## Solución de problemas

La siguiente guía de Solución de problemas ofrece asistencia de diagnóstico básico en caso de que enfrente un funcionamiento anormal de su producto Tuthill.



**¡ADVERTENCIA! NO** abra ni intente reparar el motor de su bomba Tuthill. Devuélvalo al lugar de compra si requiere servicio técnico. **Si abre la carcasa del motor, puede poner en peligro la integridad de la fabricación a prueba de explosión y anulará cualquier garantía y certificación existente (lista UL).**

Si tiene cualquier duda en cuanto a la instalación, operación o mantenimiento de su producto, comuníquese con nuestro Departamento de Servicio al Cliente al 1-800-634-2695 (lunes a viernes de 8 AM a 5 PM, hora del Este). También puede encontrarnos en nuestro sitio Web "www.tuthill.com".



**¡ADVERTENCIA!** Asegúrese de que la bomba no reciba ningún tipo de alimentación eléctrica antes de realizar cualquier servicio técnico o mantenimiento.

## Solución de problemas (continuación)

Síntoma	Causa	Solución
La bomba no ceba.	1. Problema de la tubería de succión.	Verifique si hay filtraciones en la tubería de succión.
	2. Válvula de derivación abierta.	Retire y revise la válvula; esta se debe mover libremente y no debe tener residuos.
	3. Bloqueo de las aspas.	Verifique si hay muescas, rebabas o desgaste en las aspas y ranuras.*
	4. Desgaste excesivo del rotor o del aspa.	Revise si hay daño o desgaste excesivo en el rotor y las aspas; reemplace de ser necesario.*
	5. Salida bloqueada.	Verifique si hay bloqueos en la salida de la bomba, el tubo flexible, la boquilla y el filtro.
	6. Bloqueo de vapor.	Reduzca la distancia vertical y horizontal desde la bomba al líquido; retire la boquilla automática.
Capacidad baja.	1. Suciedad excesiva en la rejilla.	Retire y limpie la rejilla.
	2. Problema de la tubería de succión.	Verifique si hay filtraciones o restricciones en la tubería de succión; puede que sea muy pequeña, muy larga o no es hermética.
	3. Bloqueo de la válvula de derivación.	Retire y revise la válvula; esta se debe mover libremente y no debe tener residuos.
	4. Bloqueo de las aspas.	Verifique si hay desgaste en las aspas y ranuras.*
	5. Desgaste excesivo del rotor o del aspa.	Revise si hay daño o desgaste excesivo en el rotor y las aspas; reemplace de ser necesario.*
	6. Daño en el tubo flexible o la boquilla.	Reemplace el tubo flexible o la boquilla.
	7. Filtro obstruido.	Reemplace el filtro.
	8. Nivel de líquido bajo.	Llene el tanque.
La bomba funciona lento.	1. Voltaje incorrecto.	Verifique el voltaje de línea de entrada mientras está funcionando la bomba.
	2. Bloqueo de las aspas.	Revise si hay muescas, rebabas o desgaste en las aspas y ranuras.*
	3. Problema de cableado.	Verifique si hay conexiones sueltas.
	<b>4. Problema del motor.</b>	<b>Devuelva al lugar de compra.</b>
El motor se detiene.	1. Bloqueo de la válvula de derivación.	Retire y revise la válvula; esta se debe mover libremente y no debe tener residuos.
	2. Voltaje bajo.	Verifique el voltaje de línea de entrada mientras está funcionando la bomba.
	3. Desgaste excesivo del rotor o del aspa.	Verifique si hay daño o desgaste excesivo en el rotor y las aspas.
	4. Residuos en la cavidad de la bomba.	Elimine los residuos de la cavidad de la bomba.
Sobrecalentamiento del motor (Se desconectó la protección de sobrecarga térmica).	1. Bombeo de líquidos de alta viscosidad.	Estos líquidos solo se pueden bombear por períodos cortos de tiempo (menos de 30 minutos por ciclo de servicio).
	2. Rejilla obstruida.	Retire y limpie la rejilla.
	3. Tubería de succión restringida.	Retire y limpie la tubería.
	<b>4. Falla del motor.</b>	<b>Devuelva al lugar de compra.</b>
	5. Cierre del rotor de la bomba.	Limpie y verifique las aspas y el rotor de la bomba.*
El motor no está operativo.	1. No hay energía.	Verifique la energía de entrada.
	<b>2. Falla del interruptor.</b>	<b>Devuelva al lugar de compra.</b>
	<b>3. Falla del motor.</b>	<b>Devuelva al lugar de compra.</b>
	<b>4. Falla del protector térmico.</b>	<b>Devuelva al lugar de compra.</b>
	5. Cableado suelto o incorrecto.	Verifique el cableado.

## Solución de problemas (continuación)

Síntoma	Causa	Solución
Filtración de líquido.	1. Empaquetadura de junta tórica defectuosa.	Verifique las empaquetaduras de la junta tórica.
	2. Sello del eje sucio.	Limpe el sello y la cavidad del sello.
	3. Sello del eje defectuoso.	Reemplace el sello.
	4. Líquido incompatible.	Envíe la lista de piezas húmedas al productor de líquidos (consulte la página 14).
	5. Sujetadores sueltos.	Apriete los sujetadores.
La bomba emite un zumbido pero no funciona.	1. Suciedad en la cavidad de la bomba.	Limpe la cavidad de la bomba.
	2. <b>Falla del motor.</b>	<b>Devuelva al lugar de compra.</b>
	3. Pieza de inserción del rotor quebrada.	Retire los residuos y reemplace la pieza de inserción.

El **texto en negritas** indica reparaciones que no puede realizar el propietario, se debe regresar la bomba al punto de compra para realizar estas reparaciones.

\* Las reparaciones marcadas con un asterisco (\*) requerirán del juego de reparación n.º 300KTF7794. Este juego incluye un rotor de reemplazo y aspas nuevas, además de una cantidad de otros sellos y componentes importantes para completar la reparación. Los detalles del juego se encuentran en la página 13.

## Accesorios

Existe una gran variedad de accesorios disponibles para ayudarle a maximizar el rendimiento de su bomba Fill-Rite. En la siguiente lista se encuentran los accesorios correspondientes disponibles para su producto en particular.

Comuníquese con su distribuidor Fill-Rite autorizado para adquirir los accesorios que necesite.

Número de pieza	Descripción
F4010PM0	Juego de filtro de 1 pulg. (particulado de 10 micrones)
F4030M0	Juego de filtro de 1 pulg. (particulado de 30 micrones)
700ACCF7017	Cabezal de filtro de 1 pulg.
FRPA125	Juego de montaje de soporte de isla
KIT700AS	Juego antisifón
FRH10012	Tubo flexible de 1 pulg. (3,7 m [12 pies])
FRH10014	Tubo flexible de 1 pulg. (4,3 m [14 pies])
FRHA10020	Tubo flexible para servicio polar de 2,5 cm (6,1 m [29 pies])
FRHMN100S	Juego de boquilla de 2,5 cm (1 pulg.), tubo de salida manual con plomo
N100DAU13	Boquilla de 1 pulg. con corte automático (diesel de flujo ultra alto)
N100DAU10	Boquilla de 1 pulg. con corte automático (diesel de flujo alto)
FRNA100DAU00	Boquilla de 1 pulg. con corte automático (diesel: para servicio polar)
S100H315	Eslabón giratorio de capas múltiples de 1 pulg.

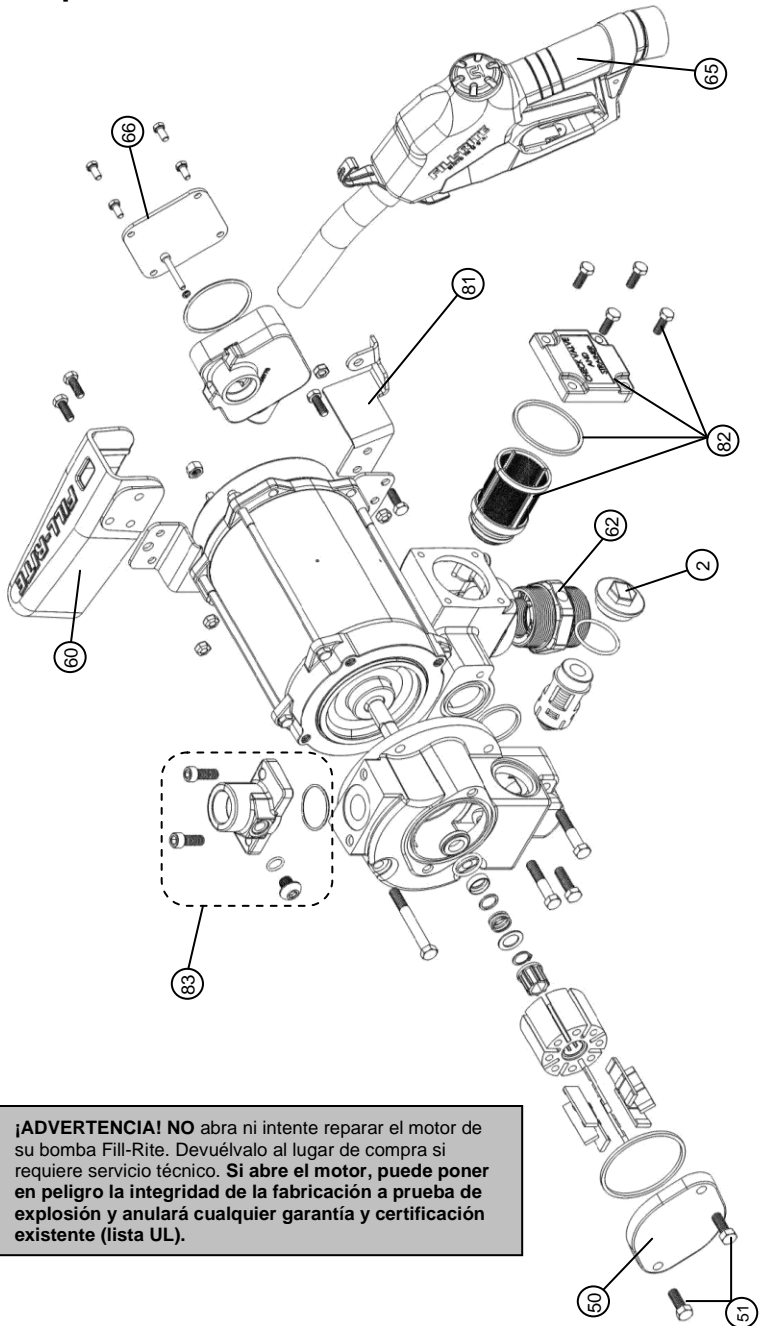
## Aprobaciones de pruebas de seguridad

La línea de bombas **Fill-Rite** ha pasado pruebas de seguridad para cumplir los estándares establecidos por Underwriters Laboratories (UL) (**NOTA** : Solo el motor en modelo de biodiesel BD310V).

## Información sobre repuestos

Para reparaciones y mantenimiento de rutina, Fill-Rite ofrece las piezas que usted necesita. El siguiente diagrama y lista de piezas cubren todas las piezas que corresponden a su producto Fill-Rite. Dichas piezas se pueden obtener por medio de un distribuidor Fill-Rite autorizado. Asegúrese de utilizar solo piezas de repuesto originales de Fill-Rite para sus necesidades de servicio y mantenimiento. Si desea ver una lista de los distribuidores autorizados, visite nuestro sitio Web "www.fillrite.com".

## Lista de piezas de FR310V



**¡ADVERTENCIA! NO abra ni intente reparar el motor de su bomba Fill-Rite. Devuélvalo al lugar de compra si requiere servicio técnico. Si abre el motor, puede poner en peligro la integridad de la fabricación a prueba de explosión y anulará cualquier garantía y certificación existente (lista UL).**

## Lista de piezas de FR300V

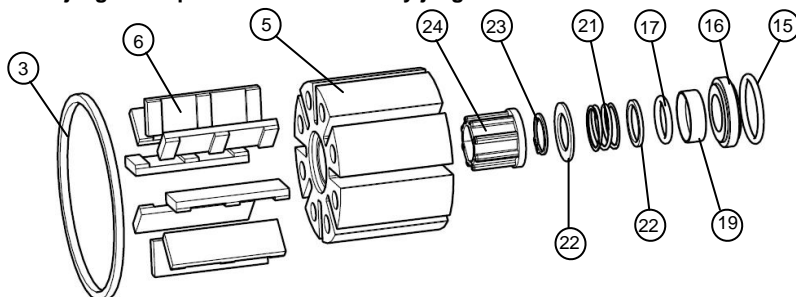
N.º	N.º de pieza/juego	Descripción	N.º de juego	Cant.
2	KIT300BV	Juego de derivación (incluye tapa, válvula y empaquetadura)		1
3	Juego de reparación 300KTF7794**	Junta de nitrilo cortada en torno	Juego de sellos KIT700SL	1
5		Rotor de bomba maquinado		1
6		Aspa impregnada de epoxi de carbono		8
11		Junta tórica de fluorocarburo, -131		1
15		Junta tórica de fluorocarburo, -120		1
16		Sello interno de carbono		1
17		Junta tórica de fluorocarburo, -114		1
19		Anillo de sello		1
21		Resorte del sello		1
22		Arandela del eje		1
23		Anillo de retención externo de 5/8		1
24		Pieza de inserción		1
28		Junta de nitrilo cortada en torno		1
30		Conjunto de derivación		1
33		Junta de nitrilo cortada en torno		1
50		Cubierta del rotor		1
51		Tornillos de sujeción		2
60	KIT120NB	Envoltura de boquilla estándar fundida		1
62	KIT700BG	Adaptador de tanque maquinado AST 2 x 1-1/4		1
65	N100DAU13	Boquilla automática de 1 pulg. (tubo de salida de diesel para camiones)		1
66	KIT300JC	Cubierta de la caja de conexiones (incluye piezas metálicas y empaquetadura)		1
80	KIT300MA	Reborde de medidor (incluye piezas metálicas y empaquetaduras)		1
81	KIT300NR	Sujetador de boquilla (incluye piezas metálicas)		1
82	KIT300SG	Cubierta de válvula de retención y filtro		1
N/S	KIT300BD	Juego de conversión de biodiesel		1
N/S	KIT700AS	Juego antisifón	Consulte la página 7	1
83	KIT300OT	Reborde recto de salida (incluye piezas metálicas y empaquetaduras)		1
N/S	KIT300SW	Palanca de interruptor (incluye tuerca de sujeción)		1

\*La cubierta del rotor (50) y los tornillos (51) se incluyen en 300KTF7794

\*\*Use BD300KTH0712 para el modelo BD310V

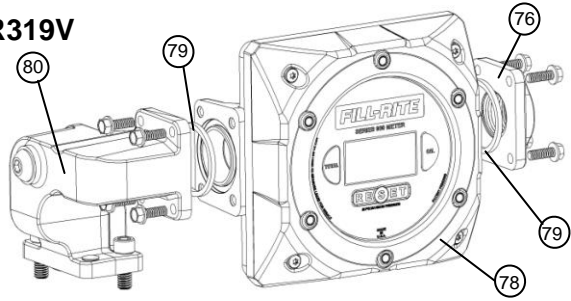
N/S = No se muestra en ningún diagrama

### Detalle del juego de reparación 300KTF7794 y juego de sello KIT700SL



## Lista de piezas de FR319V

La configuración de FR319V adjunta un medidor digital de la serie 900DB o 900DP, un reborde de medidor de entrada, un reborde de medidor de salida, las piezas metálicas de sujeción asociadas y las empaquetaduras. Este paquete está disponible en configuración con o sin generación de impulsos.

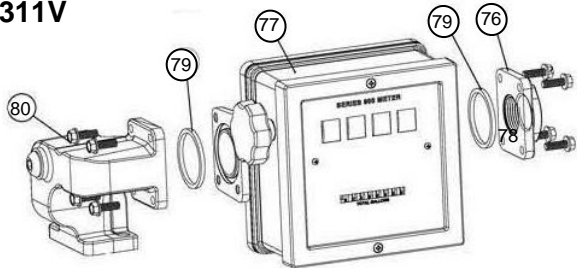


N.º	FR319VB (paquete de medidor sin generación de impulsos)	Descripción	FR319VBP (paquete de medidor con generación de impulsos)	Cant.
78	Medidor digital 900DB (sin generador de impulsos) FR319VB	Medidor 900DB (únicamente)	FR900DP	1
76		Reborde de medidor	Medidor 900DP (con generador de impulsos integral) FR319VBP	1
79		Junta de medidor		2
80		Conector de medidor de 1 pulg.		1
78	FR900DB	Medidor 900DP (únicamente)		1
N/S		Barrera de seguridad intrínseca*	KIT900DPBA	1

\*Para uso solo con el medidor con generación de impulsos 900DP

## Lista de piezas de FR311V

La configuración de FR311V adjunta un medidor mecánico de la serie 900, un reborde de medidor de entrada, un reborde de medidor de salida, las piezas metálicas de sujeción asociadas y las empaquetaduras. Este paquete está disponible con registro en galones o litros.



N.º	Número de juego de galón	Descripción	Número de juego de litro	Cant.
77	901	Medidor 900 (únicamente) (galones)		1
76	Medidor 900 (galones) Juego n.º 901MK300V	Reborde de medidor	Medidor 900 (litros) Juego n.º 901LMK300V	1
79		Junta de medidor		2
80		Conector de medidor de 1 pulg.		1
77		Medidor 900 (únicamente) (litros)	901L	1

## Compatibilidad con líquidos

Combustible diesel    Gasolina    Keroseno    Alcoholes minerales    Solventes Stoddard  
Heptano    Biodiesel (B20 máx.)    \*Biodiesel (B21 a B100)



**¡IMPORTANTE!** Si tiene dudas sobre la compatibilidad de líquidos específicos, comuníquese con el proveedor del líquido para verificar cualquier reacción adversa con los siguientes materiales húmedos: **hierro fundido, acero, acero cincado, acero inoxidable serie 300, bronce, carbono, cerámica, poliéster, fibra, fluorocarburo, acero inoxidable serie 400, aluminio.**

## Información técnica y especificaciones

### Características de diseño

- Entrada: Tapón: macho de 2" NPT; tubería de succión: hembra de 1-1/4" NPT.
- Salida: 1" NPT o 1" BSPT (BSPT en modelos FR310VEMN y FR311VELMN).
- Alojamiento de la bomba de hierro fundido: rotor (compuesto) de hierro y aspas (compuestas) de carbono.
- Seguridad: Bomba equipada con candado (consulte la página 9 para obtener más detalles).
- Protección de sobrecarga térmica.
- Interruptor para servicios pesados.
- Ciclo de servicio de 30 minutos.
- Motor a prueba de explosión de la lista UL con cojinetes sellados que no necesitan mantenimiento.
- Válvula de retención integral con alivio de presión en el lado de entrada evita la acumulación de presión y mejora la elevación vertical.
- Filtro de fácil acceso.
- Válvula de derivación automática.
- Base roscada de 2" para aberturas del tanque.
- Consumo de amperios constante (Factor de servicio de 1,0):
  - 115 V CA 60 Hz – 9,8 amperios
  - 230 V CA 60 Hz – 4,9 amperios

### Dimensiones generales:

Modelo 310V: 43,48 cm de ancho x 38,10 cm de alto x 37,85 cm de profundidad (17,12 pulg. de ancho x 15 pulg. de alto x 14,9 pulg. de profundidad).

Modelo 311V: 43,48 cm de ancho x 48,90 cm de alto x 37,85 cm de profundidad (17,12 pulg. de ancho x 19,25 pulg. de alto x 14,9 pulg. de profundidad).

Modelo 319V: 43,48 cm de ancho x 49,28 cm de alto x 37,85 cm de profundidad (17,12 pulg. de ancho x 19,4 pulg. de alto x 14,9 pulg. de profundidad).

### Peso de envío:

FR310V: 36,29 kg (80 lbs) / FR311V: 41,28 kg (91 lbs) / FR319V: 41,73 kg (92 lbs)

### Accesorios:

- Consulte la página 11 para ver una lista completa de accesorios disponibles.

### Rendimiento:

- 1,79 bar (26 psi) presión máxima en la salida de la bomba.
- Hasta 121,9 litros (32,2 galones) por minuto.
- Viscosidad máxima del líquido bombeado: Combustible diesel n.º 2.
- Temperatura máxima de funcionamiento de la bomba: 66 grados C (150 grados F).
- Temperatura mínima de funcionamiento de la bomba: Menos 29 grados C (menos 20 grados F) (observe que la operación a menos 29 grados requiere de "boquilla polar" y "tubo flexible polar" que están en la sección de accesorios en la página 11).
- Altura de succión máxima: 3 m (10 pies) para gasolina; 5,5 m (18 pies) para combustible diesel n.º 2 (la elevación en metros es igual a la distancia vertical desde la superficie del líquido en el tanque hasta la entrada de la bomba, **MENOS las pérdidas de fricción** a través de los ciclos verticales y horizontales de la tubería, todos los tubos acodados y otros conectores. El sistema de debe ajustar para que requiera la cantidad **mínima** de altura de succión).



**¡IMPORTANTE!** Todas las conexiones roscadas en los medidores y bombas del modelo con sufixo "M" de serie 300 son **roscas estándar BSPT**, **NO** roscas estándar NPT como se describe en otras partes de este manual. Asegúrese de verificar la etiqueta del modelo que está adherida al motor para estar seguro sobre qué modelo de bomba posee.

## ¡ATENCIÓN!

La siguiente información corresponde a medidores y bombas con sufijo “E” (diseñados para su uso en Europa, Australia, Brasil y Nueva Zelanda). Consulte la etiqueta de información que corresponde a su bomba para ver si esto se aplica.



### Materiales de construcción

Los materiales de construcción de la superficie externa de la unidad son: acero pintado; hierro fundido pintado; aluminio pintado; acero cincado.

Los materiales de construcción de las partes húmedas son: hierro fundido, acero, acero cincado, acero inoxidable serie 300, bronce, carbono, cerámica, poliéster, fibra, fluorocarburo, acero inoxidable serie 400, aluminio.

### Reparación y mantenimiento

Comuníquese con el lugar de compra para solicitar reparación y mantenimiento por garantía.

### Condiciones especiales para uso seguro

Los sujetadores M8 que se utilizan para fijar el alojamiento del estator deben ser de Clase 10.9. Los sujetadores M6 que se utilizan para fijar la cubierta de los compartimientos del terminal deben ser de Clase 8.8. Con líquidos inflamables se deben utilizar un tubo flexible y una boquilla de conducción eléctrica. Para minimizar la acumulación de electricidad estática, mantenga la boquilla en contacto con el recipiente que se llene.

### Instalación

La bomba se debe instalar en conformidad con la norma EN 60079-14.

Las siguientes agencias obtuvieron certificados de cumplimiento con la seguridad para productos vendidos fuera de EE.UU. y Canadá. Consulte la etiqueta en su producto para ver los datos particulares de cumplimiento.



Normas CENELEC



La información de garantía está disponible en [www.fillrite.com](http://www.fillrite.com).





**Série 300V**

**Pompe de transfert de carburant**

**Série 300V – 115 et 230 VOLT CA**

## Sommaire

Sommaire .....	2
Merci ! .....	2
À propos de ce manuel .....	2
Informations sur la sécurité .....	3
Installation .....	3
Dispositif anti-siphon .....	7
Câblage électrique .....	7
Installation de la gaine de pistolet .....	7
Câblage électrique .....	8
Procédure de câblage .....	8
Instructions opérationnelles .....	9
Cadenassage .....	9
Dépannage .....	9
Accessoires .....	11
Homologations de tests de sécurité .....	11
Informations sur les pièces de rechange .....	11
Compatibilité des fluides .....	14
Informations techniques / Spécifications .....	15
Informations sur le modèle 300VE .....	16

## Merci !

Nous vous remercions d'avoir acheté une pompe Fill-Rite de Série 300V ! Votre produit Fill-Rite bénéficie d'une expérience de plus de 50 ans dans le domaine de la fabrication de pompes, vous offrant ainsi la valeur qui accompagne une performance supérieure, une conception conviviale, une longue durée de vie utile et une ingénierie solide et simple. L'expérience qui vous apporte la tranquillité.

L'excellence au travail. L'excellence dans la vie.

## À propos de ce manuel

De la conception et des plans initiaux à la production finale, votre pompe Fill-Rite a été fabriquée pour vous apporter des années d'utilisation sans incident. Afin qu'il vous apporte ce service, **il est essentiel que vous lisiez entièrement ce manuel avant d'installer et de faire marcher votre nouvelle pompe.**

Familiarisez-vous avec les termes et les schémas, et faites attention aux parties en surbrillance sur les étiquettes suivantes :



**AVERTISSEMENT !** Signale une partie où le non-respect des instructions peut entraîner de graves blessures, voire la mort. Des dommages mécaniques peuvent également se produire.



**IMPORTANT !** Ces encadrés contiennent des informations illustrant un point qui peut faire gagner du temps, être la clé d'un fonctionnement correct ou éclaircir une étape.



**ATTENTION !** Le non-respect d'une « attention » peut endommager le matériel.

Chez Tuthill, la satisfaction que vous procurent nos produits est primordiale pour nous. Si vous avez des questions ou si vous avez besoin d'aide concernant ce produit, contactez-nous au 1-800-634-2695 (du lundi au vendredi, de 8 h à 17 h, heure de New York).

## Informations sur la sécurité



**AVERTISSEMENT !** Le câblage électrique doit être effectué **UNIQUEMENT** par un électricien agréé conformément aux codes locaux, européens et nationaux de l'électricité NEC/ANSI/NFPA 70, NFPA NFPA30 et NFPA 30A et en fonction de l'utilisation à laquelle est destinée la pompe. Utiliser le cas échéant des conduits rigides filetés, des raccords étanches et un joint conducteur. La pompe doit être correctement mise à la terre. Une mauvaise installation ou utilisation de cette pompe peut entraîner de graves blessures corporelles, voire même la mort !



**AVERTISSEMENT !** Pour un fonctionnement sûr et correct de votre équipement, il est essentiel de lire et de respecter tous les avertissements et précautions de sécurité suivants. Une mauvaise installation ou utilisation de ce produit peut provoquer de graves dommages corporels ou la mort !

1. **NE JAMAIS** fumer à proximité de la pompe ou utiliser la pompe près de flammes nues lors d'un pompage de liquides inflammables ! Un incendie pourrait se produire !
2. Un filtre « Fill-Rite » doit être posé à la sortie de la pompe pour assurer qu'aucun matériau étranger ne soit transféré dans le réservoir de carburant.
3. Les joints et les raccords filetés des tubes doivent être rendus étanches avec l'agent d'étanchéité ou le ruban d'étanchéité approprié afin de minimiser les risques de fuite.
4. Les réservoirs de stockage doivent être bien fixés pour éviter le déplacement ou le basculement lorsqu'ils sont pleins ou vides.
5. Pour réduire au minimum l'accumulation d'électricité statique, utiliser uniquement un tuyau flexible à conducteur statique lors du pompage de liquides inflammables et maintenir le pistolet de remplissage en contact avec le récipient qui se remplit pendant le processus de remplissage.
6. Le moteur de pompe est muni d'une protection de surcharge thermique. En cas de surchauffe, le moteur s'arrêtera pour ne pas endommager les enroulements. Dans ce cas, **METTRE LA POMPE HORS TENSION !** Lorsque le moteur refroidit, il redémarrera sans préavis si la pompe est sous tension.



**AVERTISSEMENT !** Ce produit ne devra pas être utilisé pour transférer des fluides dans des avions, quel que soit leur type.



**AVERTISSEMENT !** Ce produit ne doit pas être utilisé avec des liquides prévus pour la consommation humaine ou des liquides contenant de l'eau.

## Installation

La pompe Fill-Rite de Série 300V est conçue pour offrir plusieurs configurations de montage différentes. Elle peut être montée sur un réservoir plateforme à l'aide de l'adaptateur de réservoir fourni avec la pompe (voir les schémas ci-joints), montée directement sur le dessus d'un réservoir souterrain ou montée sur un îlot de béton à l'aide d'un adaptateur de colonne optionnel (disponible auprès de votre distributeur Fill-Rite). Quel que soit le type de montage, tous les réservoirs doivent être correctement ventilés et les installations sur les réservoirs plateformes doivent employer un dispositif anti-siphon.

La pompe de Série 300V est munie d'un clapet de retenue incorporé avec une soupape de décharge pour diminuer toute pression excessive dangereuse de l'expansion thermique du fluide. Votre pompe est également munie d'une soupape de dérivation intégrale pour permettre de minimiser l'usure lorsque la pompe fonctionne et que l'injecteur est fermé.



**AVERTISSEMENT !** Dans les applications de réservoir plate-forme, s'assurer que le réservoir est solidement attaché pour qu'il ne bouge pas ou ne se déplace pas lorsque le réservoir est plein ou vide.



**AVERTISSEMENT ! Les installations doivent se conformer** aux codes sur l'incendie locaux, européens et nationaux comme il le convient pour l'utilisation prévue de la pompe.



**ATTENTION !** Un bouchon de retenue à pression peut être utilisé pour réduire les pertes de carburant par évaporation, mais il faut noter que cela réduira le débit.



**ATTENTION !** N'utiliser ni clapets anti retour ni clapets à pied supplémentaires à moins qu'ils n'intègrent une soupape de surpression appropriée. À noter que des clapets anti retour supplémentaires réduiront le débit.

### Installation classique sur réservoir plateforme



**AVERTISSEMENT !** Les joints et les raccords filetés des tubes doivent être rendus étanches avec l'agent d'étanchéité ou le ruban d'étanchéité approprié afin de minimiser les risques de fuite.

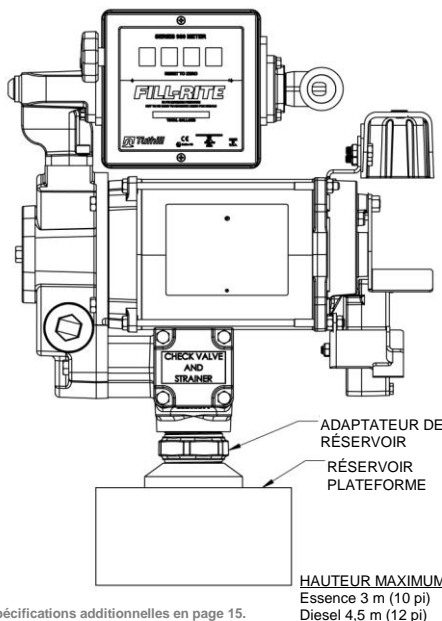
#### Matériaux :

- Tuyau de 1-1/4 po coupé de telle sorte qu'il se prolonge jusqu'à au moins 8 cm (3 po) du fond du réservoir lorsqu'il sera installé dans l'adaptateur de réservoir, ce dernier étant installé dans la collerette du réservoir (voir le diagramme **INSTALLATION DE RÉSERVOIR PLATEFORME**).
- Pâte d'étanchéité pour joints de tuyaux filetés appropriée pour l'application.

#### Procédure d'installation :

- 1) Visser le tuyau de 1-1/4 po dans l'adaptateur du réservoir. Sceller complètement le filetage à l'aide d'une pâte d'étanchéité liquide appropriée.
- 2) Installer l'adaptateur dans la collerette du réservoir; sceller complètement le filetage à l'aide d'une pâte d'étanchéité liquide appropriée.
- 3) Monter la pompe sur l'adaptateur; sceller complètement le filetage à l'aide d'une pâte d'étanchéité liquide appropriée.
- 4) Fill-Rite recommande l'installation de notre dispositif anti-siphon (voir page 7 pour des informations détaillées).

### Installation de réservoir plateforme



## Installation de montage direct type (sur un réservoir souterrain)



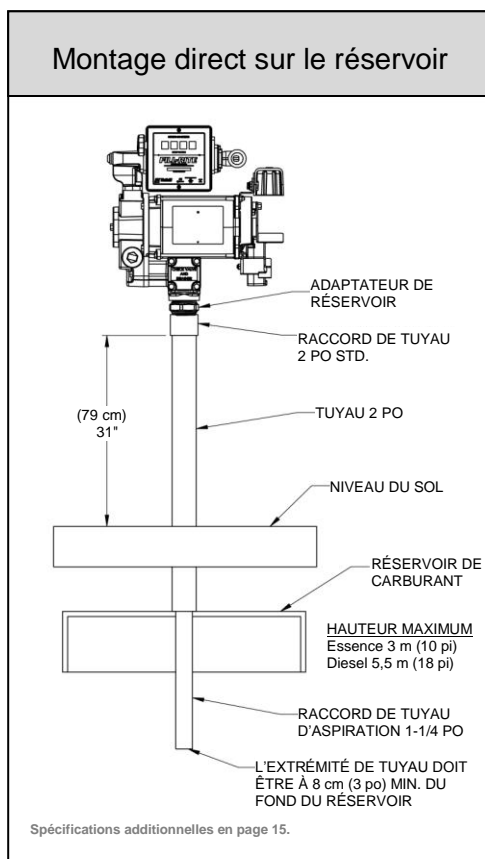
**AVERTISSEMENT !** Les joints et les raccords filetés des tubes doivent être rendus étanches avec l'agent d'étanchéité ou le ruban d'étanchéité approprié afin de minimiser les risques de fuite.

### Matériaux :

- Un tuyau de 2 po coupé à la longueur et fileté aux deux extrémités qui s'étendra à approximativement 79 cm (31 po) au-dessus du sol lorsqu'il est installé dans la collerette du réservoir.
- Tuyau de 1-1/4 po coupé de telle sorte qu'il se prolonge jusqu'à au moins 8 cm (3 po) du fond du réservoir lorsqu'il sera installé dans l'adaptateur de réservoir, ce dernier étant installé dans le raccord de tuyau de 2 po (voir le diagramme **MONTAGE DIRECT SUR LE RESERVOIR**).
- Pâte d'étanchéité pour joints de tuyaux filetés appropriée pour l'application.

### Procédure d'installation :

- 1) Installer le tuyau de 2 po dans la collerette du réservoir ; sceller complètement le filetage à l'aide d'une pâte d'étanchéité liquide appropriée.
- 2) Visser un raccord de tube standard de 2 po sur le dessus du tube ; sceller complètement le filetage à l'aide d'une pâte d'étanchéité liquide appropriée.
- 3) Installer le tuyau de 1-1/4 po dans l'adaptateur du réservoir. Sceller complètement le filetage à l'aide d'une pâte d'étanchéité liquide appropriée.
- 4) Installer l'adaptateur de réservoir dans le raccord de 2 po ; sceller complètement le filetage à l'aide d'une pâte d'étanchéité liquide appropriée.
- 5) Monter la pompe sur l'adaptateur de réservoir ; sceller complètement le filetage à l'aide d'une pâte d'étanchéité liquide appropriée.



## Installation type « colonne/îlot »



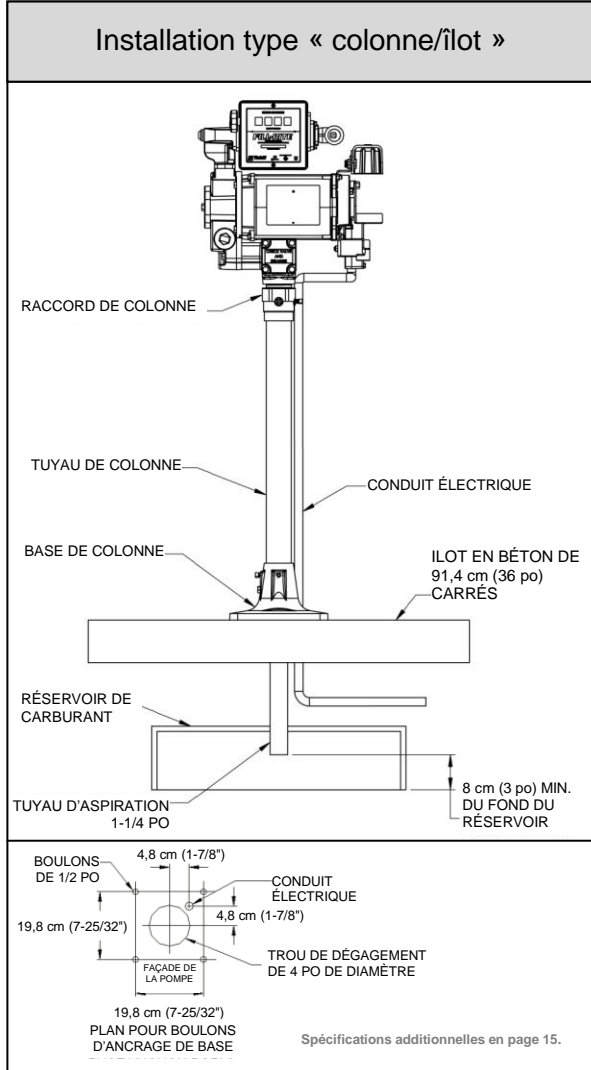
**AVERTISSEMENT !** Les joints et les raccords filetés des tubes doivent être rendus étanches avec l'agent d'étanchéité ou le ruban d'étanchéité approprié afin de minimiser les risques de fuite.

### Matériaux :

- Tube d'aspiration fileté de 1-1/4 po, coupé pour s'étendre à 83 cm (32-1/2 po) au-dessus de l'îlot.
- Kit de colonne FRPA125 (inclut un tuyau de colonne, une base et un raccord).
- Pâte d'étanchéité pour joints de tuyaux filetés appropriée pour l'application.

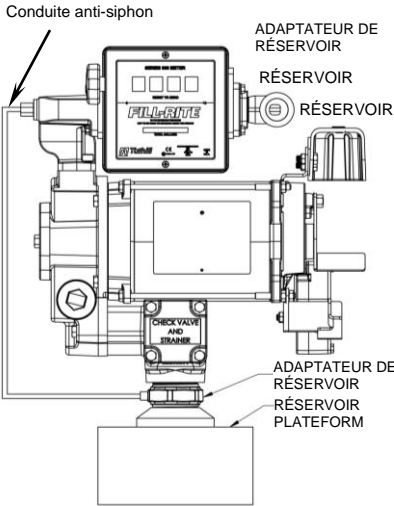
### Procédure d'installation :

- 1) Retirer le raccord du tuyau de colonne en desserrant les vis de pression.
- 2) Faire glisser l'ensemble tuyau de colonne/base de pompe au-dessus du tuyau d'aspiration de 1-1/4 po.
- 3) Desserrer les vis dans la base de colonne pour permettre au tuyau de colonne de glisser vers le bas en exposant l'extrémité du tuyau d'aspiration.
- 4) Visser le raccord sur le tuyau d'aspiration ; sceller complètement le filetage à l'aide d'une pâte d'étanchéité liquide appropriée.
- 5) Faire glisser le tuyau de colonne dans le raccord et serrer les vis de pression.
- 6) Serrer les vis dans la base de colonne.
- 7) Monter la pompe sur le raccord et sceller complètement le filetage à l'aide d'une pâte d'étanchéité liquide appropriée.



## Dispositif anti-siphon

La pompe de Série 300V est expédiée de l'usine prête à installer un tuyau anti-siphon dans le réservoir. Un dispositif anti-siphon (soit un casse-vide) est important parce qu'il cassera un siphon de liquide s'il y a une buse ouverte ou une fuite de tuyau sous le niveau de fluide dans le réservoir lorsque la pompe est désactivée. Fill-Rite recommande d'installer le kit anti-siphon



Réf. KIT700AS à partir de la sortie de la pompe vers l'espace de vapeur dans le réservoir. Cette illustration indique où installer le tuyau de sorte qu'il se termine dans l'espace de vapeur sur le haut du réservoir. Le tuyau doit se terminer dans l'espace de vapeur ; s'il se termine au-dessous du niveau de fluide dans le réservoir, il n'empêchera pas le siphonage. Il est très important qu'il n'y ait pas de liquide piégé dans la tuyauterie ; il doit y avoir une pente continue de la pompe vers le réservoir et la tuyauterie peut être connectée à toute ouverture dans le haut du réservoir si l'adaptateur de réservoir n'est pas utilisé. Utiliser des raccords de réduction tel que requis pour un bon ajustage et une bonne étanchéité. Il est recommandé d'utiliser un adaptateur de réservoir anti-siphon avec une ouverture de 1/4 NPT sur le côté. Cette ouverture se termine dans l'espace de vapeur du réservoir. Effectuer des connexions étanches à l'aide d'une pâte d'étanchéité liquide appropriée à partir de l'adaptateur jusqu'à la sortie anti-siphon en

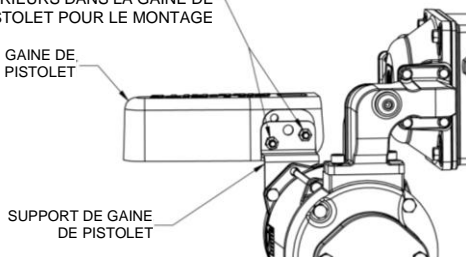
utilisant un tuyau en métal de 1/4 compatible avec le liquide à pomper. Si l'adaptateur de réservoir anti-siphon est utilisé et que l'ouverture de 1/4 NPT n'est pas utilisée pour la tubulure, laisser la fiche installée en usine en place.

Fill-Rite offre le kit **Anti-Siphon Réf. KIT700AS** (disponible auprès d'un distributeur Fill-Rite). Ce kit contient les raccords et la tubulure nécessaires pour terminer l'installation telle qu'illustrée à cette section. **REMARQUE : Ce kit est requis UNIQUEMENT pour les installations sur le dessus du réservoir.**



**AVERTISSEMENT !** Les joints et les raccords filetés des tubes doivent être rendus étanches avec l'agent d'étanchéité ou le ruban d'étanchéité approprié afin de minimiser les risques de fuite.

UTILISER LES DEUX TROUS INFÉRIEURS DANS LA GAINÉ DE PISTOLET POUR LE MONTAGE



## Installation de la gainé de pistolet

La gainé du pistolet est installée à l'aide des deux trous de vis inférieures sur le côté de la gainé. Utiliser la visserie de fixation pour installer la gainé du pistolet.

Lorsque le pistolet est monté correctement, il sera en position horizontale.

## Câblage électrique



**AVERTISSEMENT !** Le câblage électrique doit être effectué **UNIQUEMENT** par un électricien agréé conformément aux codes locaux, européens et nationaux de l'électricité NEC/ANSI/NFPA 70, NFPA NFPA30 et NFPA 30A et en fonction de l'utilisation à laquelle est destinée la pompe. Utiliser le cas échéant des conduits rigides filetés, des raccords étanches et un joint conducteur. La pompe doit être correctement mise à la terre. Une mauvaise installation ou utilisation de cette pompe peut entraîner de graves blessures corporelles, voire même la mort !



**ATTENTION !** Toutes les pompes doivent fonctionner sur la tension nominale indiquée sur la plaque signalétique. Alimenter la pompe à partir d'un disjoncteur spécialisé de 30 A. Aucun autre matériel ne doit être alimenté par ce circuit. Le câblage doit être de calibre suffisant pour transporter le courant nécessaire au fonctionnement de la pompe. Les chutes de tension varieront en fonction de la distance avec la pompe et du calibre du câble. Consulter le Code national de l'électricité (NEC) ou les codes locaux pour la compensation des chutes de tension et pour s'assurer d'utiliser le calibre de câble approprié à l'application.

## Procédure de câblage



**AVERTISSEMENT !** Le fil « AUX. » est un **FIL SOUS TENSION** lorsque le commutateur est sous tension ! Le fil « AUX » est isolé et enclos lors de l'expédition. **NE PAS** connecter ce fil sans vérifier d'abord la tension de ligne « ON » du fil pour compatibilité avec l'équipement à installé. L'intensité maximum de ce fil est de 1 A. Le fil « AUX » doit être isolé et enclos dans la boîte de jonction s'il n'est pas utilisé.

- 1) Retirer le couvercle de la boîte de jonction électrique de la pompe et redresser les fils pour que les extrémités dénudées soient accessibles de l'extérieur de la boîte de jonction.
- 2) Connecter les fils de la pompe au secteur en respectant le schéma. S'assurer d'isoler correctement les connexions à l'aide de capuchons de connexion ou d'autres connecteurs appropriés. À noter que le fil de mise à la masse **DOIT** être connecté.
- 3) Replier les fils dans la boîte de jonction et remettre le couvercle en place en s'assurant que le joint est bien en place.

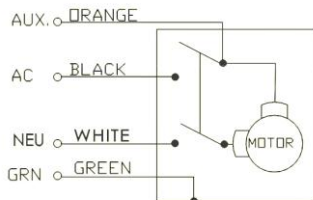
Utiliser le sélecteur de tension sur l'extrémité de la pompe pour sélectionner la tension d'entrée pour la pompe.

**REMARQUE :** La pompe est expédiée de l'usine pré-réglée en position 115 VCA (voir le schéma en haut de la page 9).

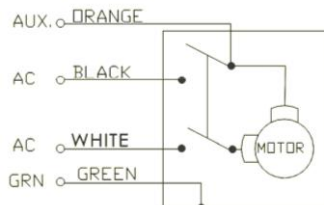


**IMPORTANT !** S'assurer que le joint du couvercle est bien en place et que les vis serrent le couvercle sur la boîte de jonction. Il ne doit y avoir aucun espace entre la boîte de jonction et son couvercle.

**SCHÉMA DE FILS DE 115 VOLTS**  
FIL AUX DE TENSION NOMINALE 1,0 A



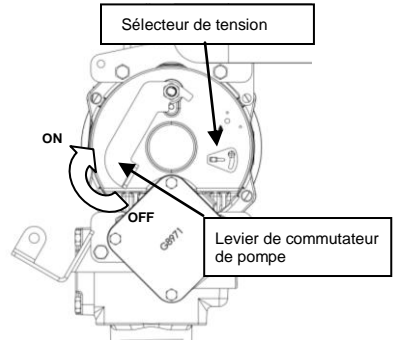
**SCHÉMA DE FILS DE 230 VOLTS**  
FIL AUX DE TENSION NOMINALE 1,0 A





## Instructions opérationnelles

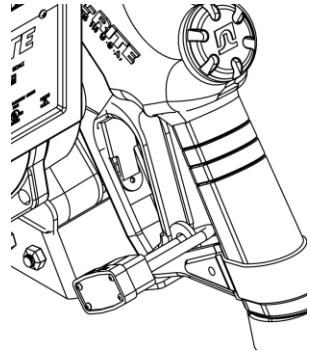
- 1) Réinitialiser le compteur à « 0 » (le cas échéant).
- 2) Retirer le pistolet de distribution de sa gaine.
- 3) Amener le levier de commutation sur la position « ON » pour mettre sous tension la pompe.
- 4) Insérer le pistolet de distribution dans le récipient à remplir.
- 5) Faire fonctionner le pistolet pour distribuer le liquide. Relâcher le pistolet lorsque la quantité désirée de liquide a été distribuée.
- 6) Amener le levier de commutation sur la position « OFF » pour mettre la pompe hors tension.
- 7) Retirer le pistolet de distribution du récipient et le replacer dans sa gaine.



**ATTENTION !** Toujours maintenir le pistolet en contact avec le récipient **pendant son remplissage** pour réduire au minimum le risque d'accumulation d'électricité statique.

## Cadenassage

Il est possible de poser un cadenas sur le pistolet de distribution de la pompe Fill-Rite pour plus de sécurité. Une fois la pompe mise hors tension et le pistolet dans sa gaine, un cadenas peut être inséré à travers le support de pistolet et l'ouverture de la poignée du pistolet. Cette configuration empêche le retrait du pistolet de sa gaine.



## Dépannage

Le guide de dépannage suivant est fourni pour offrir une assistance de diagnostic de base en cas de fonctionnement anormal de votre pompe Tuthill.



**AVERTISSEMENT ! NE PAS** ouvrir ni tenter de réparer le moteur de votre pompe Tuthill. Le retourner au point de vente pour toute intervention. **L'ouverture du boîtier du moteur peut compromettre l'intégrité de sa structure à l'épreuve des explosions et annulera toute garantie et homologation (inscription UL) en vigueur.**

Pour toute question concernant l'installation, le fonctionnement ou l'entretien de votre pompe, n'hésitez pas à contacter notre Service clientèle au 1-800-634-2695 (du lundi au vendredi de 8 h à 17 h, heure de New York). Il est également possible de nous contacter en ligne sur le site Web à [www.tuthill.com](http://www.tuthill.com).



**AVERTISSEMENT !** S'assurer que toutes les sources d'alimentation électrique de la pompe sont hors tension avant d'effectuer toute intervention ou opération de maintenance.

## Dépannage (suite)

Symptôme	Cause	Solution
La pompe ne veut pas s'amorcer.	1. Problème de conduite d'aspiration.	Vérifier la présence éventuelle de fuites dans la conduite d'aspiration.
	2. Soupape de dérivation ouverte.	Déposer et inspecter la soupape. Elle doit se déplacer librement et être exempte de tout débris.
	3. Les ailettes se coincent.	Vérifier les ailettes et les fentes pour la présence éventuelle de rayures, ébarbures et traces d'usure.*
	4. Usure excessive du rotor ou des ailettes.	Inspecter le rotor et les ailettes pour vérifier leur usure excessive ou d'éventuels dommages. Remplacer au besoin.*
	5. Sortie colmatée.	Vérifier la sortie de pompe, le tuyau, le pistolet et le filtre pour leur colmatage éventuel.
	6. Grippage par vapeur.	Diminuer la distance verticale et horizontale entre la pompe et le liquide. Retirer le pistolet automatique.
Faible capacité.	1. Saleté excessive dans le filtre.	Retirer et nettoyer le filtre.
	2. Problème de conduite d'aspiration.	Inspecter la conduite d'aspiration pour d'éventuelles fuites ou obstructions. Elle peut être trop petite, trop longue ou insuffisamment étanche.
	3. La soupape de dérivation se coincent.	Déposer et inspecter la soupape. Elle doit se déplacer librement et être exempte de tout débris.
	4. Les ailettes se coincent.	Vérifier les ailettes et les fentes pour d'éventuelles traces d'usure.*
	5. Usure excessive du rotor ou des ailettes.	Inspecter le rotor et les ailettes pour vérifier leur usure excessive ou d'éventuels dommages. Remplacer au besoin.*
	6. Tuyau ou pistolet endommagé.	Remplacer le tuyau ou le pistolet.
	7. Filtre colmaté.	Remplacer le filtre.
	8. Niveau de fluide bas.	Remplir le réservoir.
La pompe tourne lentement.	1. Tension inappropriée.	Vérifier la tension de ligne à l'arrivée pendant que la pompe tourne.
	2. Les ailettes se coincent.	Vérifier les ailettes et les fentes pour la présence éventuelle de rayures, ébarbures et traces d'usure.*
	3. Problème de câblage.	Vérifier la présence éventuelle de connexions desserrées.
	<b>4. Problème de moteur.</b>	<b>Retourner la pompe au point de vente.</b>
Le moteur cale.	1. La soupape de dérivation se coincent.	Déposer et inspecter la soupape. Elle doit se déplacer librement et être exempte de tout débris.
	2. Tension faible.	Vérifier la tension de ligne à l'arrivée pendant que la pompe tourne.
	3. Usure excessive du rotor ou des ailettes.	Inspecter le rotor et les ailettes pour vérifier leur usure excessive ou d'éventuels dommages.*
	4. Débris dans la cavité de pompe.	Nettoyer les débris dans la cavité de pompe.
Le moteur surchauffe (Surcharge thermique déclenchée).	1. Pompage de fluides à viscosité élevée.	Ces fluides ne peuvent être pompés que pendant de courtes périodes (cycle de service inférieur à 30 minutes).
	2. Filtre colmaté.	Retirer et nettoyer le filtre.
	3. Conduite d'aspiration obstruée.	Déposer et nettoyer la conduite.
	<b>4. Problème de moteur.</b>	<b>Retourner la pompe au point de vente.</b>
	5. Blocage du rotor de pompe.	Nettoyer et vérifier le rotor et les ailettes de pompe.*
Moteur défectueux.	1. Aucune puissance.	Vérifier l'alimentation à l'arrivée.
	<b>2. Panne d'interrupteur.</b>	<b>Retourner la pompe au point de vente.</b>
	<b>3. Problème de moteur.</b>	<b>Retourner la pompe au point de vente.</b>
	<b>4. Panne du protecteur thermique.</b>	<b>Retourner la pompe au point de vente.</b>
	5. Erreur de câblage ou fils desserrés.	Vérifier le câblage.

## Dépannage (suite)

Symptôme	Cause	Solution
Fuite de liquide.	1. Joint torique défectueux.	Vérifier tous les joints toriques.
	2. Garniture d'étanchéité d'arbre sale.	Nettoyer la garniture d'étanchéité et la chemise.
	3. Garniture d'étanchéité d'arbre défectueuse.	Remplacer la garniture d'étanchéité.
	4. Liquide incompatible.	Se reporter à la nomenclature des pièces immergées compatibles pour le fabricant du liquide (voir page 14).
	5. Attaches desserrées.	Serrer les attaches.
La pompe ronfle mais ne fonctionne pas.	1. Saleté dans la cavité de pompe.	Nettoyer la cavité de pompe.
	2. <b>Problème de moteur.</b>	<b>Retourner la pompe au point de vente.</b>
	3. Insert de rotor cassé.	Retirer tous les débris et remplacer l'insert.

**Le texte en caractères gras** fait référence à des réparations qui ne peuvent pas être effectuées par le propriétaire. La pompe doit être retournée au point de vente pour y être réparée.

\* Les réparations indiquées par un astérisque (\*) nécessitent le kit de réparation 300KTF7794. Ce kit inclut un rotor de rechange et de nouvelles ailettes, ainsi qu'un certain nombre de joints et composants importants pour terminer la réparation. Des détails sur ce kit sont fournis à la page 13.

## Accessoires

Une vaste gamme d'accessoires est disponible pour permettre de maximiser la performance de la pompe Fill-Rite. Les accessoires disponibles applicables à un produit spécifique sont indiqués ci-dessous.

Prière de contacter un distributeur agréé Fill-Rite pour acheter les accessoires dont on a besoin.

Référence	Description
F4010PM0	1 Kit de filtre 1 po (Particule de 10 microns)
F4030M0	1 Kit de filtre 1 po (Particule de 30 microns)
700ACCF7017	1 Tête de filtre 1 po
FRPA125	Kit de montage sur colonne en îlot
KIT700AS	Kit anti-siphon
FRH10012	Tuyau de 1 po (3,7 m [12 pi])
FRH10014	Tuyau de 1 po (4,3 m [14 pi])
FRHA10020	Tuyau arctique de 1 po (6,1m [20 pi])
FRHMN100S	Kit de pistolet de 1 po, embout manuel à plomb
N100DAU13	Pistolet à arrêt automatique de 1 po (diesel à débit ultra élevé)
N100DAU10	Pistolet à arrêt automatique de 1 po (diesel à débit élevé)
FRNA100DAU00	Pistolet à arrêt automatique de 1 po (diesel - service arctique)
S100H315	Pivot multi-plan 1 po

## Homologations de tests de sécurité

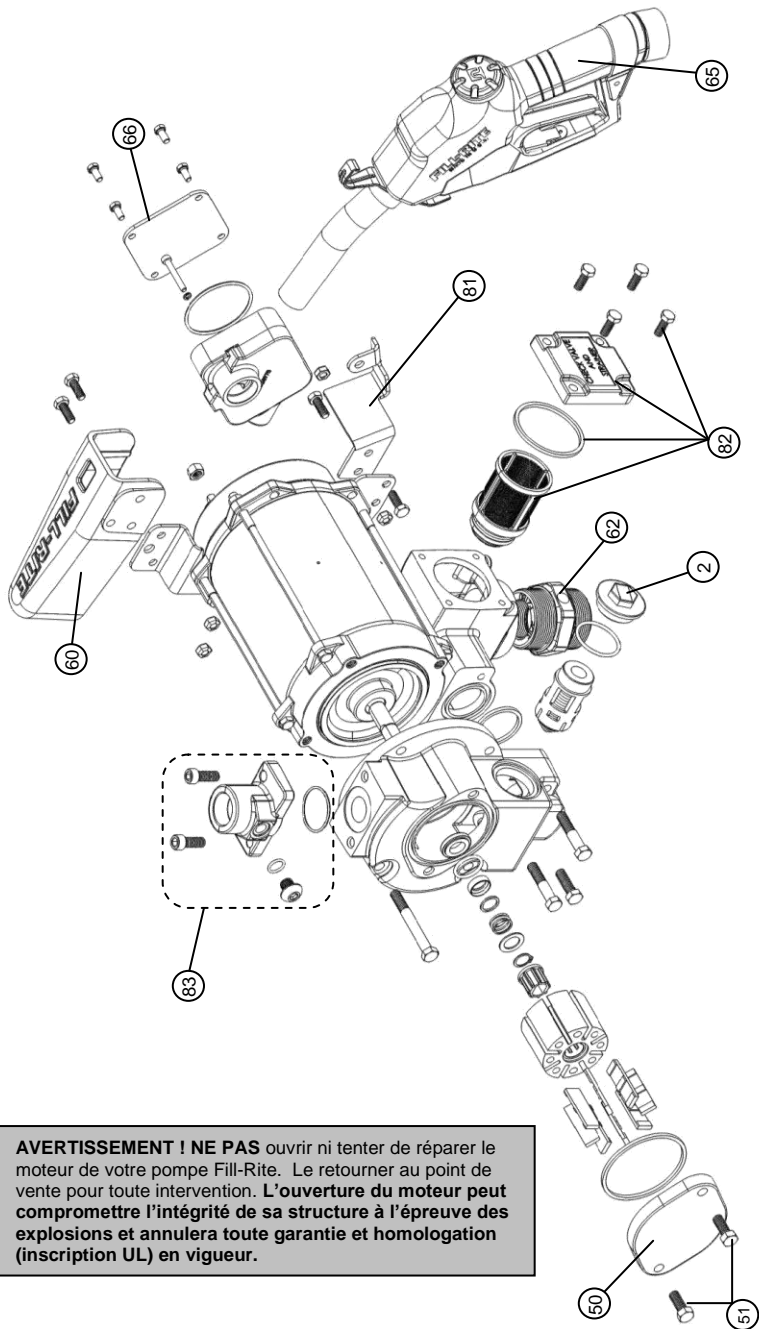
La sécurité de la gamme de pompes **Fill-Rite** a été testée en conformité aux normes établies par UL Laboratories (**REMARQUE** : Moteur uniquement sur le modèle bio-diesel BD310V).



## Informations sur les pièces de rechange

Pour les réparations ou une maintenance de routine, Fill-Rite offre les pièces dont on a besoin. Le schéma et la liste des pièces suivants couvrent toutes les pièces applicables au produit Fill-Rite. Ces pièces peuvent être obtenues auprès d'un distributeur agréé Fill-Rite. S'assurer de n'utiliser que des pièces de rechange originales de Fill-Rite pour l'entretien et les réparations. Pour obtenir une liste de concessionnaires agréés, prière de consulter notre site Web à [www.fillrite.com](http://www.fillrite.com).

## Nomenclature FR310V



**AVERTISSEMENT ! NE PAS** ouvrir ni tenter de réparer le moteur de votre pompe Fill-Rite. Le retourner au point de vente pour toute intervention. **L'ouverture du moteur peut compromettre l'intégrité de sa structure à l'épreuve des explosions et annulera toute garantie et homologation (inscription UL) en vigueur.**

## Nomenclature FR300V

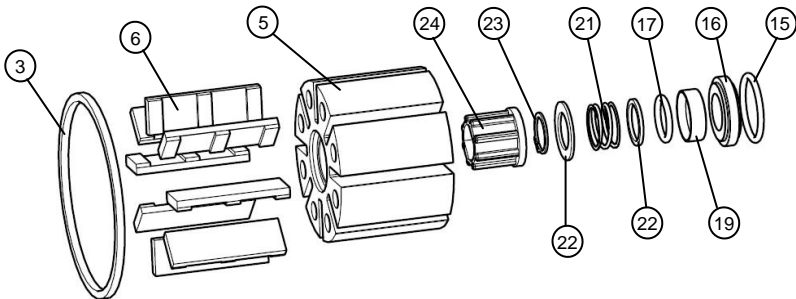
N°	N° Pièce/Kit	Description	N° Kit	Qté
2	KIT300BV	Kit de dérivation (inclut capuchon, soupape et joint)		1
3	Kit de réparation 300KTF7794**	Joint, coupe taillée, nitrile	Kit d'étanché	1
5		Rotor de pompe, usiné		1
6		Ailette, imprégnée d'époxy de carbone		8
11		Joint torique, Fluorocarbone, -131		1
15		Joint torique, Fluorocarbone, -120		1
16		Joint interne, carbone		1
17		Joint torique, Fluorocarbone, -114		1
19		Bague d'étanchéité		1
21		Ressort, joint		1
22		Rondelle, arbre		1
23		Bague de retenue, externe 5/8		1
24		Insert de rotor		1
28		Joint, coupe taillée, nitrile		1
30		Ensemble de dérivation		1
33		Joint, coupe taillée, nitrile		1
50	Cache-rotor	1		
51	Vis de fixation	2		
60	KIT120NB	Gaine de pistolet standard, moulée		1
62	KIT700BG	Adaptateur de réservoir usiné AST 2 x 1-1/4		1
65	N100DAU13	Pistolet automatique de 1 po (embout diesel camion)		1
66	KIT300JC	Couvercle de boîte de jonction (inclut la visserie et le joint)		1
80	KIT300MA	Bride de compteur (inclut visserie et joints)		1
81	KIT300NR	Retenue de pistolet (inclut quincaillerie)		1
82	KIT300SG	Clapet de retenue / Couvercle de filtre		1
N/S	KIT300BD	Kit de conversion Bio-Diesel		1
N/S	KIT700AS	Kit anti-siphon	Voir page 7	1
83	KIT300OT	Bride de sortie droite (inclut visserie et joints)		1
N/S	KIT300SW	Levier de commutateur (inclut l'écrou de fixation)		1

\*Cache rotor (50) et vis (51) sont inclus dans 300KTF7794

\*\*Utiliser BD300KTH0712 pour le modèle BD310V

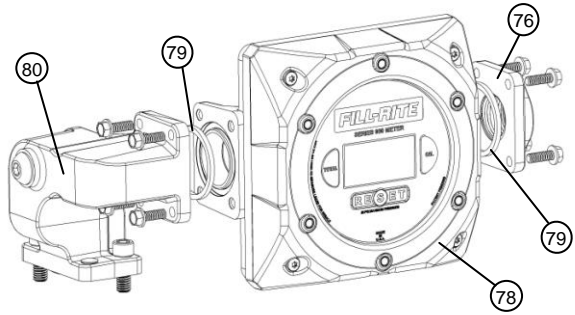
N/S = Non illustré dans les schémas

### Détails des kit de réparation 300KTF7794 et kit de joint KIT700S



## Nomenclature

La configuration FR319V ajoute un compteur numérique, une bride de compteur d'admission, une bride de compteur de sortie, les visserie de fixation et joints connexes de Série 900DB ou 900DP. Ce paquet est disponible en configuration à pulsations ou non.

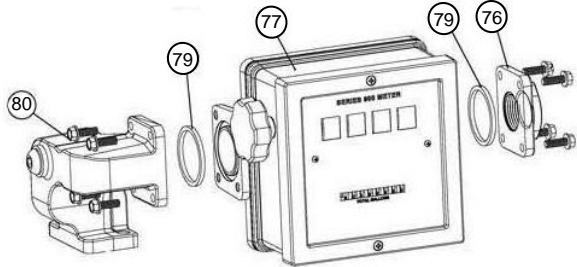


N°	FR319VB (Paquet de compteur sans pulsation)	Description	FR319VBP (Paquet de compteur à pulsation)	Qté
78	Compteur numérique 900DB (sans générateur de pulsations) FR319VB	Compteur 900DB (uniquement)	Compteur 900DP (avec générateur de pulsations intégral) FR319VBP	1
76		Bride de compteur		1
79		Joint de compteur		2
80		Raccord de compteur 1 po		1
78	FR900DB	Compteur 900DP (uniquement)		1
N/S		Barrière de sécurité intrinsèque*	KIT900DPBA	1

\*À utiliser avec le compteur 900DP à pulsations uniquement

## Nomenclature FR311V

La configuration FR311V ajoute un compteur mécanique, une bride de compteur d'admission, une bride de compteur de sortie, les visserie de fixation et joints connexes de Série 900. Ce paquet est disponible avec enregistreur gallons ou litres.



N°	Gallon Kit N°	Description	Litre Kit N°	Qté
77	901	Compteur 900 (uniquement) (gallons)		1
76	Compteur 900 (gallon) Kit n° 901MK300V	Bride de compteur	Compteur 900 (litre) Kit n° 901LMK300V	1
79		Joint de compteur		2
80		Raccord de compteur 1 po		1
77		Compteur 900 (uniquement) (litres)	901L	1

## Compatibilité des fluides

Diesel    Essence    Kérosène    Essences minérales    Solvants Stoddard  
Heptane    Bio-Diesel (B20 max.)    \*Bio-Diesel (B21 – B100)



**IMPORTANT !** En cas de doute sur la compatibilité d'un fluide spécifique, contacter son fournisseur pour vérifier toute réaction aux matériaux mouillés suivants : **fonte ; acier ; acier zingué ; acier inoxydable série 300 ; bronze ; carbone ; céramique ; polyester ; fibre ; fluorocarbène ; buna ; acier inoxydable série 400 ; aluminium.**

\*Modèle BD310V **UNIQUEMENT**

## Informations techniques / Spécifications

### Caractéristiques techniques

- Admission : Bonde : 2 po mâle NPT ; tuyau d'aspiration - 1-1/4" femelle NPT.
- Sortie : 1 po NPT ou 1 po BSPT (BSPT sur modèles FR310VEMN et FR311VELMN).
- Corps de pompe en fonte : rotor en fer (composite) et ailettes en carbone (composite).
- Sécurité : Pompe équipée pour le cadénassage (voir la page 9 pour détails).
- Protection contre les surcharges thermiques.
- Commutateur à grand rendement.
- Cycle de service de 30 minutes.
- Moteur antidéflagrant homologué UL avec roulements étanches ne requérant aucune maintenance.
- Clapet de retenue avec soupape de décharge sur le côté admission empêche la pression de s'accumuler et améliore la hauteur verticale.
- Filtre à accès aisé.
- Soupape de dérivation automatique.
- Base fileté 2 po pour ouvertures de réservoir.
- Débit en ampères constant (facteur de service de 1,0) :
  - 115 Vca 60 Hz – 9,8 A
  - 230 Vca 60 Hz – 4,9 A

### Dimensions hors-tout :

Modèle 310V : : l 435 mm X h 381 mm x p 378 mm (l 17,12 po X h 15 po x p 14,9 po)

Modèle 311V : : l 435 mm X h 489 mm x p 378 mm (l 17,12 po X h 19,25 po x p 14,9 po)

Modèle 319V : : l 435 mm X h 493 mm x p 378 mm (l 17,12 po x h 19,4 po x p 14,9 po)

### Poids d'expédition :

FR310V : 36 kg (80 lb) / FR311V : 41 kg (91 lb) / FR319V : 42 kg (92 lb)

### Accessoires :

- Voir la Page 11 pour une liste complète d'accessoires disponibles.

### Performances :

- Pression maximale de 1,79 bar (26 psi) à la sortie de la pompe.
- Maximum de 121,9 litres (32,2 gallons) la minute.
- Viscosité maximale de fluide pompé : n° 2 diesel fuel.
- Température opérationnelle maximale de la pompe : 66 degrés C (150 degrés F).
- Température opérationnelle minimale de la pompe : moins 29 degrés C (moins 20 degrés F) (noter que l'opération à moins 29 degrés requiert le « Pistolet arctique » et le « Tuyau arctique » dans la section Accessoires en page 11).
- Hauteur d'aspiration maximale : 3 m (10 pi) pour essence ; 5,5 m (18 pi) pour n° 2 diesel fuel (la hauteur en pieds est égale à la distance verticale de la surface du fluide dans le réservoir à l'admission de la pompe, **MOINS de pertes de friction** grâce aux parcours de tuyaux verticaux et horizontaux, tous les coudes et autres raccords. Le système doit être configuré pour requérir une quantité **minimale** de hauteur d'aspiration).



**IMPORTANT !** Toutes les connexions filetées sur les pompes et compteurs modèles à suffixe « M » Série 300 sont des **filetages BSPT standard**, **NON PAS** des filetages NPT standard comme décrits ailleurs dans ce manuel. S'assurer de vérifier l'étiquette de modèle apposée sur le moteur pour être certain du modèle de pompe utilisée.

## ATTENTION !

Les informations suivantes se rapportent aux pompes et compteurs à suffixe « E » (conçus pour être utilisés en Europe, en Australie, au Brésil et en Nouvelle-Zélande) ! Consulter l'étiquette d'informations appliquée sur la pompe pour voir si elle est applicable.



### Matériaux de construction

Les matériaux de construction de la surface externe de l'unité sont les suivants : acier peint ; fonte peinte ; aluminium peint ; acier zingué.

Les matériaux de construction des pièces immergées sont les suivants : fonte ; acier ; acier zingué ; acier inoxydable série 300 ; bronze ; carbone ; céramique ; polyester ; fibre ; fluorocarbène ; buna ; acier inoxydable série 400 ; aluminium.

### Réparation et maintenance

Contactez le lieu d'achat pour toute réparation et toute maintenance sous garantie.

### Conditions spéciales pour utilisation sans danger

Les fixations M8 utilisées pour sécuriser le corps du stator seront de classe 10.9. Les fixations M6 utilisées pour sécuriser le couvercle des compartiments de bornes seront de classe 8.8.

Un tuyau et un pistolet électriquement conducteurs doivent être utilisés avec des liquides inflammables. Pour minimiser l'accumulation d'électricité statique, garder le pistolet en contact avec le conteneur à remplir.

### Installation

La pompe doit être installée conformément à la norme EN 60079-14.

Des certificats de respect de la sécurité ont été obtenus pour les organismes suivants pour les produits vendus en dehors des États-Unis et du Canada. Consulter l'étiquette du produit particulier pour ses données de conformité particulières.



Normes CENELEC



Des informations sur la Garantie sont disponibles sur le site Web [www.fillrite.com](http://www.fillrite.com).





**Serie 300V**

**Kraftstofftransferpumpe**

Series 300V – 115 und 230 V~

## Inhalt

Inhalt.....	2
Vielen Dank! .....	2
Zu diesem Handbuch.....	2
Sicherheitsinformationen .....	3
Montage .....	3
Heberschutzleitung .....	7
Montage der Zapfventilhalterung .....	7
Verkabelung .....	8
Verkabelungsverfahren.....	8
Betriebsanweisungen.....	9
Sicherung mit Vorhängeschloss .....	9
Fehlersuche .....	9
Zubehör.....	11
Sicherheitsprüfungszulassungen .....	11
Ersatzteil-Informationen .....	11
Flüssigkeitsverträglichkeit .....	14
Technische Informationen/Daten.....	15
300VE Model Information .....	16

## Vielen Dank!

Vielen Dank für den Kauf einer Fill-Rite-Pumpe der 300V Serie! Das Fill-Rite-Produkt wird durch mehr als 50 Jahre Erfahrung bei der Pumpenherstellung gestützt und bietet Ihnen den besten Wert, überlegene Leistung, ein benutzerfreundliches Design, lange Lebensdauer und solide, einfache Technik. Erfahrung, die Ihnen Sorgenfreiheit bietet.

Ausgezeichnet im Einsatz. Ausgezeichnet im Leben.

## Zu diesem Handbuch

Vom anfänglichen Konzept bis zur endgültigen Produktion ist die Fill-Rite-Pumpe für problemlosen Betrieb auf Jahre hinaus ausgelegt. Um diese Funktionsweise zu gewährleisten, **müssen Sie dieses gesamte Handbuch durchlesen, bevor der Einbau oder Betrieb des neuen Zählers versucht wird.** Machen Sie sich mit den Begriffen und Diagrammen vertraut und achten Sie genau auf die hervorgehobenen Bereiche mit den folgenden Bezeichnungen:



**WARNUNG!** Hebt einen Bereich hervor, in dem bei Nichtbefolgung der Anweisungen schwere oder tödliche Verletzungen auftreten können. Es können auch mechanische Schäden entstehen.



**WICHTIG!** Diese Textfelder enthalten Informationen, die auf Zeitersparnisse hinweisen, für den korrekten Betrieb wichtig sind oder einen Arbeitsschritt weiter erläutern.



**VORSICHT!** Bei Nichtbeachtung eines „Vorsichtshinweises“ besteht die Gefahr von Maschinenschäden.

Bei Tuthill ist Ihre Zufriedenheit mit unseren Produkten von höchster Bedeutung. Bei Fragen oder wenn Sie Hilfe mit dem Produkt benötigen, kontaktieren Sie uns bitte unter der Rufnummer 1-800-634-2695 (Mo-Fr 8.00-17.00 Uhr EST).

## Sicherheitsinformationen



**WARNUNG!** Die Verkabelung darf NUR von einem lizenzierten Elektriker durchgeführt werden und muss dem vorgesehenen Verwendungszweck der Pumpe den geltenden örtlichen und landesweiten Vorschriften, dem technischen Regelwerk sowie NEC/ANSI/NFPA 70, NFPA 30 und NFPA 30A entsprechen. Verschraubte Kabelrohre, abgedichtete Anschlüsse und Leiterdichtungen müssen verwendet werden. Die Pumpe muss vorschriftsmäßig geerdet sein. Unsachgemäßer Einbau oder Einsatz dieser Pumpe kann zu schweren oder tödlichen Verletzungen führen!



**WARNUNG!** Zur Gewährleistung der sicheren und korrekten Funktionsweise des Geräts müssen alle Sicherheitswarnungen und Vorsichtsmaßnahmen gelesen und befolgt werden. Unsachgemäßer Einbau oder Einsatz dieses Produktes kann zu schweren oder tödlichen Verletzungen führen!

1. **NIEMALS** in der Nähe der Pumpe rauchen und die Pumpe beim Pumpen entzündlicher Flüssigkeiten nicht in der Nähe von offenen Flammen verwenden! Es besteht Brandgefahr!
2. Ein „Fill-Rite“-Filter muss am Auslass der Pumpe vorgesehen werden, damit keine Fremdstoffe in den Kraftstofftank eingetragen werden.
3. Rohrgewindeverbindungen und Anschlüsse müssen mit geeignetem Dichtmittel oder Dichtband abgedichtet werden, um die Wahrscheinlichkeit von Leckage zu minimieren.
4. Lagertanks müssen sicher verankert sein, damit diese beim Füllen oder Entleeren nicht kippen oder sich absetzen.
5. Zur Minimierung des Aufbaus statischer Elektrizität darf beim Pumpen entzündlicher Flüssigkeiten nur ein Schlauch mit einem Statikableitungsdraht verwendet werden; das Zapfventil muss während des Füllens durchgehend Kontakt mit dem Behälter haben, in den abgefüllt wird.
6. Der Pumpenmotor ist mit einem thermischen Überlastschutz ausgestattet; bei Überhitzung schaltet sich der Motor ab, um Schäden an den Wicklungen zu vermeiden. In diesem Fall **DIE PUMPE ABSCHALTEN!** Nachdem der Motor abgekühlt ist, schaltet er sich bei anliegender Stromversorgung ohne Vorwarnung wieder ein.



**WARNUNG!** Dieses Produkt darf nicht zum Transfer von Flüssigkeiten in beliebige Arten von Flugzeugen verwendet werden.



**WARNUNG!** Dieses Produkt ist nicht für Flüssigkeiten geeignet, die für menschlichen Verzehr geeignet sind bzw. Flüssigkeiten, die Wasser enthalten.

## Montage

Die Fill-Rite-Pumpe der Serie 300V bietet verschiedene Montagemöglichkeiten. Sie kann mit dem mit der Pumpe mitgelieferten Adapter (siehe beiliegende Zeichnungen) auf einem Tank auf Schienen oder direkt auf einem unterirdischen Tank oder mit dem optionalen Sockelmontagesatz (von der Fill-Rite-Vertriebsgesellschaft erhältlich) auf einem Betonfundament montiert werden. Unabhängig von der Montageart müssen alle Tanks vorschriftsmäßig entlüftet sein und Installationen an Tanks auf Kufen müssen mit einer Heberschutzleitung ausgestattet sein.

Die Pumpe der Serie 300V verfügt über ein eingebautes Druckentlastungsventil, um unsicheren Überdruck durch die thermische Expansion der Flüssigkeit abzubauen. Sie verfügt auch über ein integriertes Bypassventil zur Minimierung von Verschleiß, wenn die Pumpe bei geschlossenem Zapfventil betrieben wird.



**WARNUNG!** Bei Anwendungen in auf Schienen aufgestellten Tanks muss sichergestellt sein, dass der Tank stabil ist und seine Position nicht verändern kann, wenn er entleert oder gefüllt wird.



**WARNUNG!** Installationen müssen alle örtlichen und landesweiten Brandschutzvorschriften erfüllen, die für den vorgesehenen Einsatzzweck der Pumpe gelten.



**VORSICHT!** Zur Verringerung des Verlustes von Kraftstoff durch Verdunstung kann ein druckfester Füllverschluss verwendet werden; dieser kann jedoch die Durchflussrate verringern.



**VORSICHT!** Keine zusätzlichen Rückschlagventile oder Fußventile verwenden, wenn in diese kein geeignetes Druckentlastungsventil integriert ist. Zusätzliche Rückschlagventile verringern die Durchflussrate.



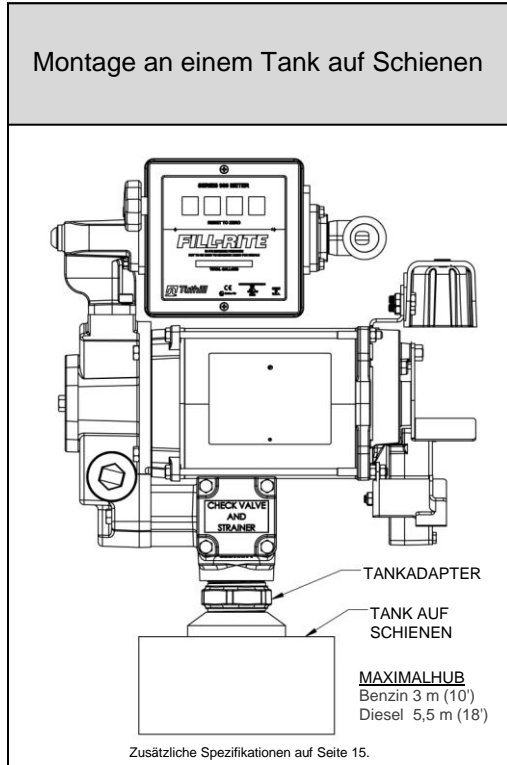
**WARNUNG!** Rohrgewindeverbindungen und Anschlüsse müssen mit geeignetem Dichtmittel oder Dichtband abgedichtet werden, um die Wahrscheinlichkeit von Leckage zu minimieren.

**Werkstoffe:**

- 1-1/4-Zoll-Rohr so zugeschnitten, dass es bis 75 mm (3 Zoll) über den Tankboden reicht, wenn es in den Tankadapter eingeschraubt ist und der Tankadapter in den Tankflansch geschraubt ist (siehe Zeichnung **MONTAGE AN EINEM TANK AUF SCHIENEN**).
- Für die Anwendung geeignetes Gewindedichtmittel für Rohrverschraubungen.

**Montageverfahren:**

- 1) Das 1-1/4-Zoll-Rohr in den Tankadapter schrauben. Das Gewinde mit einem geeigneten Gewindedichtmittel flüssigkeitsdicht abdichten.
- 2) Den Tankadapter am Tankflansch montieren; das Gewinde mit einem geeigneten Gewindedichtmittel flüssigkeitsdicht abdichten.
- 3) Die Pumpe am Adapter montieren; das Gewinde mit einem geeigneten Gewindedichtmittel flüssigkeitsdicht abdichten.
- 4) Fill-Rite empfiehlt die Montage unserer Heberschutzleitung (detaillierte Informationen sind auf Seite 7 zu finden).



## Typische Direktmontage (an einem unterirdischen Tank)



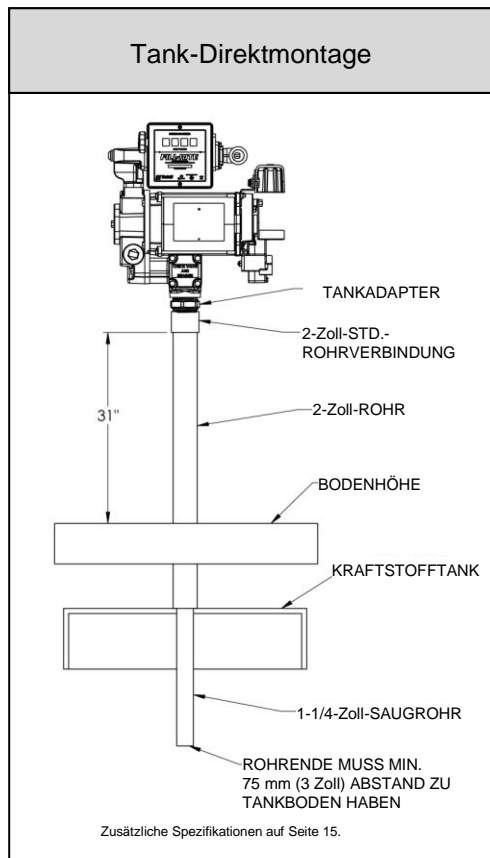
**WARNUNG!** Rohrgewindeverbindungen und Anschlüsse müssen mit geeignetem Dichtmittel oder Dichtband abgedichtet werden, um die Wahrscheinlichkeit von Leckage zu minimieren.

### Werkstoffe:

- 2-Zoll-Rohr, auf Länge zugeschnitten und Gewinde an beiden Enden, die beim Einbau in den Tankflansch 787 mm (31 Zoll) über dem Boden liegen.
- 1-1/4-Zoll-Rohr so zugeschnitten, dass es bis 75 mm (3 Zoll) über den Tankboden reicht, wenn es in den Tankadapter eingeschraubt ist und der Tankadapter in den Tankflansch geschraubt ist (siehe Zeichnung **TANK-DIREKTMONTAGE**).
- Für die Anwendung geeignetes Gewindedichtmittel für Rohrverschraubungen.

### Montageverfahren:

- 1) Das 2-Zoll-Rohr am Tankflansch montieren; das Gewinde mit einem geeigneten Gewindedichtmittel flüssigkeitsdicht abdichten.
- 2) Eine gewöhnliche 2-Zoll-Rohrverbindung oben auf das Rohr schrauben; das Gewinde mit einem geeigneten Gewindedichtmittel flüssigkeitsdicht abdichten.
- 3) Das 1-1/4-Zoll-Rohr in den Tankadapter einbauen. Das Gewinde mit einem geeigneten Dichtmittel flüssigkeitsdicht abdichten.
- 4) Den Tankadapter an der 2-Zoll-Rohrverbindung montieren; das Gewinde mit einem geeigneten Gewindedichtmittel flüssigkeitsdicht abdichten.
- 5) Die Pumpe am Tankadapter montieren; das Gewinde mit einem geeigneten Gewindedichtmittel flüssigkeitsdicht abdichten.



## Typische Montage auf einem Sockel



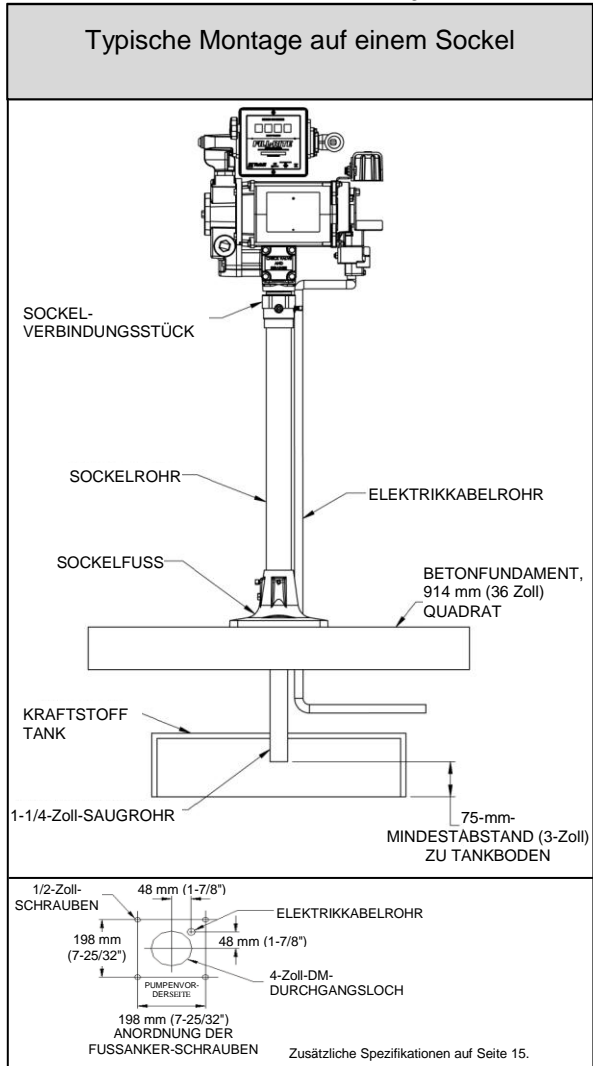
**WARNUNG!** Rohrgewindeverbindungen und Anschlüsse müssen mit geeignetem Dichtmittel oder Dichtband abdichtet werden, um die Wahrscheinlichkeit von Leckage zu minimieren.

### Werkstoffe:

- Saugrohr mit 1-1/4-Zoll-Gewinde, zugeschnitten auf eine Höhe von 825 mm (32-1/2 Zoll) über dem Sockel.
- FRPA125 Sockelsatz (umfasst Sockelrohr, Sockelfuß und Verbindungsstück).
- Für die Anwendung geeignetes Gewindedichtmittel für Rohrverschraubungen.

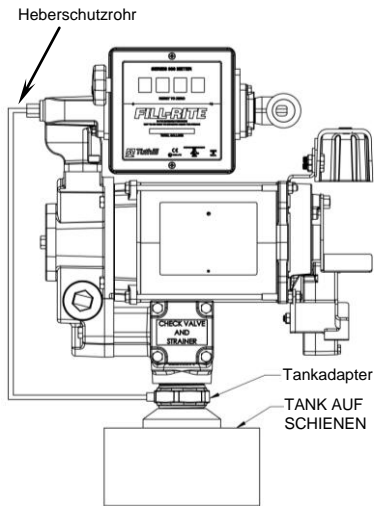
### Montageverfahren:

- 1) Das Verbindungsstück vom Sockelrohr entfernen, indem die Einstellschrauben gelockert werden.
- 2) Die Baugruppe Sockelrohr/ Pumpensockelfuß auf das 1-1/4-Zoll-Saugrohr schieben.
- 3) Die Schrauben im Sockelfuß lockern, damit das Sockelrohr nach unten geschoben werden kann und damit das Ende des Saugrohrs freiliegt.
- 4) Das Verbindungsstück auf das Saugrohr schrauben; das Gewinde mit einem geeigneten Gewindedichtmittel flüssigkeitsdicht abdichten.
- 5) Das Sockelrohr in der Verbindungsstück schieben und die Einstellschrauben festziehen.
- 6) Die Schrauben im Sockelfuß festziehen.
- 7) Die Pumpe am Verbindungsstück montieren und das Gewinde mit einem geeigneten Gewindedichtmittel flüssigkeitsdicht abdichten.



## Heberschutzleitung

Die Pumpe der Serie 300V wird ab Werk für die Montage einer Heberschutzleitung an der Tankrückseite vorbereitet ausgeliefert. Die Heberschutzvorrichtung (d. h. ein Vakuumunterbrecher) ist wichtig, da bei abgeschalteter Pumpe die Hebewirkung der Flüssigkeit aufgehoben wird, falls ein offenes Zapfventil oder ein undichter Schlauch unter dem Flüssigkeitsstand vorhanden ist. Fill-Rite empfiehlt den Heberschutzsatz KIT700AS zwischen dem Pumpenauslass und dem Luftraum im Tank zu montieren.



Diese Abbildung zeigt, wo das Rohr montiert werden muss, damit es im Luftraum oben im Tank endet. Das Rohr muss im Luftraum enden; falls es unter dem Flüssigkeitsstand im Tank endet, wird die Heberwirkung nicht verhindert. Es ist sehr wichtig, dass in der Leitung keine Flüssigkeit eingefangen wird; es muss eine kontinuierliche Neigung von der Pumpe hinunter in den Tank vorhanden sein. Das Rohr kann an eine beliebige Öffnung oben im Tank angeschlossen werden, falls der Tankadapter nicht verwendet wird. Nach Bedarf Reduzierstücke einsetzen, um die korrekte Passung und Abdichtung zu erzielen. Wir empfehlen den Einsatz des Heberschutz-Tankadapters mit einer 1/4-Zoll-NPT-Öffnung in der Seite. Diese Öffnung mündet in den Luftraum des Tanks. Zwischen dem Adapter und der Heberschutzöffnung mit Metallrohren mit mindestens 1/4 Zoll Durchmesser, die für die gepumpte Flüssigkeit geeignet sind, mit einem geeigneten Dichtmittel flüssigkeitsdichte Verbindungen herstellen. Wenn der Heberschutz-Tankadapter verwendet wird, wird

die 1/4-Zoll-NPT-Öffnung nicht für das Rohr verwendet; es muss der im Werk montierte Verschluss angebracht bleiben.

Fill-Rite bietet den **Heberschutzsatz KIT700AS** an (von der Fill-Rite-Vertriebsgesellschaft erhältlich). Dieser Satz enthält die erforderlichen Anschlussstücke und Rohrleitungen, um die Installation herzustellen wie in diesem Abschnitt abgebildet. **HINWEIS: Dieser Satz ist NUR für die Montage an der Tankoberseite erforderlich.**



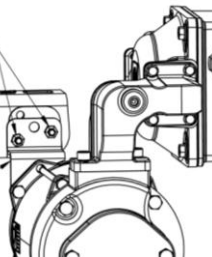
**WARNING!** Rohrgewindeverbindungen und Anschlüsse müssen mit geeignetem Dichtmittel oder Dichtband abgedichtet werden, um die Wahrscheinlichkeit von Leckage zu minimieren.

DIE ZWEI UNTEREN LÖCHER IN DER ZAPFVENTILHALTERUNG ZUR MONTAGE VERWENDEN

NOOZLE BOOT

ZAPFVENTILHALTERUNG

NOOZLE BOOT BRACKET



## Montage der Zapfventilhalterung

Die Zapfventilhalterung an den zwei unteren Schraubenlöchern an der Seite der Halterung montiert. Die Zapfventilhalterung mit den mitgelieferten Befestigungsteilen montieren.

Wenn das Zapfventil korrekt montiert ist, befindet es sich in einer horizontalen Position.

## Verkabelung



**WARNUNG!** Die Verkabelung darf NUR von einem lizenzierten Elektriker durchgeführt werden und muss dem vorgesehenen Verwendungszweck der Pumpe den geltenden örtlichen und landesweiten Vorschriften, dem technischen Regelwerk sowie NEC/ANSI/NFPA 70, NFPA 30 und NFPA 30A entsprechen. Verschraubte Kabelrohre, abgedichtete Anschlüsse und Leiterdichtungen müssen verwendet werden. Die Pumpe muss vorschriftsmäßig geerdet sein. Unsachgemäßer Einbau oder Einsatz dieser Pumpe kann zu schweren oder tödlichen Verletzungen führen!



**VORSICHT!** Alle Pumpen müssen mit der am Typenschild angegebenen Nennspannung betrieben werden. Die Spannung muss über einen eigenen 30-A-Trennschalter zur Pumpe geführt werden. Dieser Stromkreis darf keine anderen Ausrüstungen versorgen. Die Verkabelung muss ausreichend bemessen sein, um die richtige Stromstärke für die Pumpe zu liefern. Der Spannungsabfall hängt vom Abstand zur Pumpe und der Kabelgröße ab. Auf nationale, internationale und örtliche Vorschriften oder die US-Norm NEC Bezug nehmen, um den Ausgleich des Spannungsabfalls zu ermitteln und sicherzustellen, dass der korrekte Drahtdurchmesser für diese Anwendung verwendet wird.

## Verkabelungsverfahren



**WARNUNG!** Das Kabel „AUX.“ IST STROMFÜHREND, wenn der Schalter eingeschaltet ist! Das Kabel „AUX.“ ist bei der Auslieferung isoliert und abgeschirmt. Dieses Kabel NICHT anschließen, ohne erst die Nennspannung des Kabels im eingeschalteten Zustand auf Verträglichkeit mit den zu montierenden Geräten prüfen. Die maximale Stromstärke in diesem Kabel beträgt 1 A. Das Kabel „AUX.“ muss isoliert und in der Verteilerdose eingeschlossen werden, falls es nicht verwendet wird.

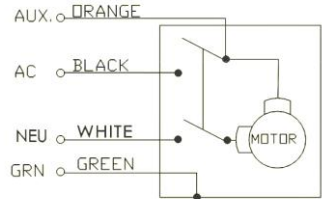
- 1) Den Deckel der Verteilerdose entfernen und die Drähte gerade richten, damit die abisolierten Drahtende außerhalb der Verteildose zugänglich sind.
- 2) Die Pumpenkabel gemäß Stromlaufplan an die Versorgungsleitungen anschließen. Darauf achten, dass die Anschlüsse mit geeigneten Kabelmuttern und anderen Steckverbindern vorschriftsmäßig isoliert werden. Es ist zu beachten, dass das Massekabel angeschlossen werden **MUSS**.
- 3) Die Kabel in die Verteilerdose schichten und den Deckel anbringen. Sicherstellen, dass die Deckeldichtung korrekt sitzt.

Die Eingangsspannung für die Pumpe mit dem Spannungswahlschalter am Ende der Pumpe einstellen.  
**HINWEIS:** Die Pumpe wird ab Werk auf 115 V~ eingestellt ausgeliefert (siehe Abbildung oben auf Seite 9).

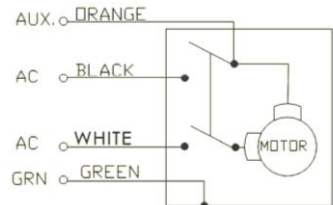


**WICHTIG!** Darauf achten, dass die Dichtung für den Deckel der Verteilerdose aufgesetzt ist. Die Schrauben ziehen den Deckel dicht gegen die Verteilerdose fest. Es darf kein Spalt zwischen Verteilerdose und Deckel vorhanden sein.

**115-V-STROMLAUFPLAN**  
**AUX-KABEL, 1,0 A**  
**NENNSTROMSTÄRKE**



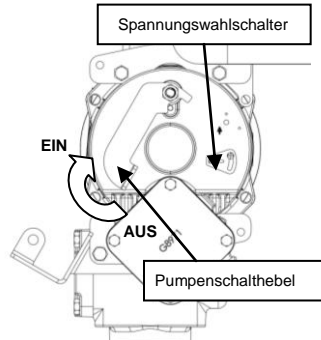
**230-V-STROMLAUFPLAN**  
**AUX-KABEL, 1,0 A**  
**NENNSTROMSTÄRKE**





## Betriebsanweisungen

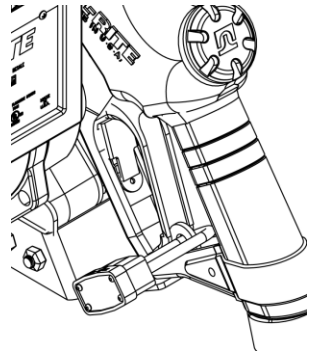
- 1) Den Zähler auf „0“ zurücksetzen (sofern zutreffend).
- 2) Das Zapfventil aus der Halterung nehmen.
- 3) Den Schalthebel auf EIN stellen, um die Pumpe einzuschalten.
- 4) Das Zapfventil in den Behälter stecken, der gefüllt werden soll.
- 5) Das Zapfventil betätigen, um Flüssigkeit zu pumpen; das Zapfventil loslassen, nachdem die gewünschte Flüssigkeitsmenge abgegeben wurde.
- 6) Den Schalthebel hinunter auf AUS stellen, um die Pumpe auszuschalten.
- 7) Das Zapfventil aus dem Behälter nehmen und in der Halterung unterbringen.



**VORSICHT!** Das Zapfventil beim Füllen stets in Kontakt mit dem Behälter halten, der **gefüllt wird**, um die Möglichkeit statischer Aufladung zu minimieren.

## Sicherung mit Vorhängeschloss

Das Zapfventil der Fill-Rite-Pumpe kann aus Sicherheitsgründen mit einem Vorhängeschloss gesichert werden. Wenn die Pumpe abgeschaltet und das Zapfventil in der Halterung ist, kann ein Vorhängeschloss durch den Schlossriegel und die Öffnung des Zapfventil-Auslöshebels eingesetzt werden. Bei dieser Anordnung kann das Zapfventil nicht aus dem Zapfventilhalter entnommen werden.



## Fehlersuche

Die folgende Anleitung zur Fehlersuche enthält grundlegende Diagnoseinformationen, mit denen eine ungewöhnliche Funktionsweise des Tuthill-Produktes untersucht werden kann.



**WARNUNG! KEINESFALLS** den Motor der Tuthill-Pumpe öffnen oder zu reparieren versuchen. Er muss an die Verkaufsstelle zurückgebracht werden. **Wenn das Motorgehäuse geöffnet wird, kann dies die explosionssichere Bauweise beeinträchtigen. Dadurch wird außerdem die Garantie und Zulassung (UL Listing) ungültig.**

Bei Fragen zum Einbau, Betrieb oder zur Instandhaltung des Produktes kontaktieren Sie bitte unsere Kundendienstabteilung unter der Rufnummer 1-800-634-2695 (Mo-Fr 8.00 – 17.00 Uhr EST). Sie erreichen uns auch im World Wide Web unter [www.tuthill.com](http://www.tuthill.com).



**WARNUNG!** Sicherstellen, dass die gesamte Stromversorgung zur Pumpe abgetrennt wird, bevor Wartungs- oder Instandsetzungsarbeiten durchgeführt werden.

## Fehlersuche (Forts.)

Symptom	Ursache	Abhilfe
Pumpe lässt sich nicht vorfüllen.	1. Problem in Saugleitung.	Auf Lecks in Saugleitung prüfen.
	2. Bypassventil ist offen.	Ventil ausbauen und prüfen; es muss frei beweglich und rückstandsfrei sein.
	3. Schieber klemmen.	Schieber und Kanäle auf Kerben, Grate und Verschleiß prüfen.*
	4. Übermäßiger Rotor- oder Schieberverschleiß.	Rotor und Schieber auf starken Verschleiß oder Schäden prüfen; gegebenenfalls austauschen.*
	5. Blockierung in Auslass.	Pumpenauslass, Schlauch, Zapfventil und Filter auf Blockierung prüfen.
	6. Dampfblasenbildung.	Vertikalen und horizontalen Abstand von Pumpe zu Flüssigkeit verringern; automatische Zapfventile entfernen.
Mangelhafte Förderleistung.	1. Zu viel Schmutz im Sieb.	Sieb ausbauen und reinigen.
	2. Problem in Saugleitung.	Saugleitung auf Lecks oder Blockierungen prüfen; sie kann zu klein, lang oder nicht luftdicht sein.
	3. Bypassventil klemmt.	Ventil ausbauen und prüfen; es muss frei beweglich und rückstandsfrei sein.
	<b>4. Schieber klemmen.</b>	<b>Schieber und Kanäle auf Verschleiß prüfen.*</b>
	5. Übermäßiger Rotor- oder Schieberverschleiß.	Rotor und Schieber auf starken Verschleiß oder Schäden prüfen; gegebenenfalls austauschen.*
	6. Schlauch oder Zapfventil ist beschädigt.	Schlauch oder Zapfventil austauschen.
	7. Filter verstopft.	Filter austauschen.
	8. Niedriger Flüssigkeitsstand.	Tank füllen.
Pumpe läuft langsam.	1. Falsche Spannung.	Versorgungsspannung bei laufender Pumpe prüfen.
	2. Schieber klemmen.	Schieber und Kanäle auf Kerben, Grate und Verschleiß prüfen.*
	3. Verkabelungsproblem.	Auf lose Anschlussstellen prüfen.
	4. Motor stirbt ab.	Zur Verkaufsstelle zurückbringen.
Motor stirbt ab.	1. Bypassventil klemmt.	Ventil ausbauen und prüfen; es muss frei beweglich und rückstandsfrei sein.
	2. Niedrige Spannung.	Versorgungsspannung bei laufender Pumpe prüfen.
	3. Übermäßiger Rotor- oder Schieberverschleiß.	Rotor und Schieber auf starken Verschleiß oder Schäden prüfen.*
	4. Rückstände in Pumpenkammer.	Rückstände aus Pumpenkammer reinigen.
Motor überhitzt (thermischer Überlastschutz ausgelöst).	1. Pumpen von hochviskosen Flüssigkeiten.	Diese Flüssigkeiten dürfen nur kurz (weniger als 30 Minuten Einschaltdauer) gepumpt werden.
	2. Verstopftes Sieb.	Sieb ausbauen und reinigen.
	3. Verstopfte Saugleitung.	Rohr ausbauen und reinigen.
	<b>4. Motorausfall.</b>	<b>Zur Verkaufsstelle zurückbringen.</b>
	5. Pumpenrotor blockiert.	Pumpenrotor und Schieber reinigen und prüfen.*
Motor ist funktionsunfähig.	1. Keine Stromversorgung.	Stromversorgung prüfen.
	<b>2. Schalterausfall.</b>	<b>Zur Verkaufsstelle zurückbringen.</b>
	<b>3. Motorausfall.</b>	<b>Zur Verkaufsstelle zurückbringen.</b>
	<b>4. Thermischer Überlastschutz defekt.</b>	<b>Zur Verkaufsstelle zurückbringen.</b>
	5. Falsche/lockere Verkabelung.	Verkabelung prüfen.

## Fehlersuche (Forts.)

Symptom	Ursache	Abhilfe
Flüssigkeitsleck.	1. Mangelhafte O-Ring-Dichtung.	Alle O-Ring-Dichtungen prüfen.
	2. Verschmutzter Wellendichtring.	Dichtring und Dichtungsraum reinigen.
	3. Defekte Wellendichtring.	Dichtring austauschen.
	4. Verträgliche Flüssigkeiten.	Liste der benetzten Werkstoffe dem Flüssigkeitshersteller vorlegen (siehe Seite 14).
	5. Lockere Befestigungsteile.	Befestigungsteile festziehen.
Pumpe summt, lässt sich aber nicht betreiben.	1. Schmutz in Pumpenkammer.	Pumpenkammer reinigen.
	2. <b>Motorausfall.</b>	<b>Zur Verkaufsstelle zurückbringen.</b>
	3. Gebrochener Rotor-Keilwelleneinsatz.	Alle Rückstände entfernen und Keilwelleneinsatz austauschen.

**Fettgedruckter** Text weist auf Reparaturen hin, die der Eigentümer nicht selbst durchführen kann; die Pumpe muss zur Reparatur an die Verkaufsstelle zurückgebracht werden.

\* Bei mit einem Sternchen (\*) gekennzeichneten Reparaturen ist der Reparatursatz 300KTF7794 erforderlich. Dieser Satz enthält einen Ersatzrotor und neue Schieber sowie einige andere wichtige Dichtungen und Komponenten, die für die Reparatur benötigt werden. Einzelheiten zu diesem Satz sind auf Seite 13 angegeben.

## Zubehör

Es sind zahlreiche verschiedene Zubehörteile erhältlich, damit Sie die Leistung der Fill-Rite-Pumpe maximieren können. Es folgt eine Liste der Zubehörteile, die für das jeweilige Produkt geeignet sind.

Wenden Sie sich an die Fill-Rite Vertriebsgesellschaft, um die benötigten Zubehörteile zu erwerben.

Teilenummer	Beschreibung
F4010PM0	1-Zoll-Filtersatz (Partikel, 10 µm)
F4030M0	1-Zoll-Filtersatz (Partikel, 30 µm)
700ACCF7017	1-Zoll-Filterkopf
FRPA125	Sockelmontagesatz
KIT700AS	Heberschutzsatz
FRH10012	1-Zoll-Schlauch (3,65 m [12 Fuß])
FRH10014	1-Zoll-Schlauch (4,27 m [14 Fuß])
FRHA10020	1-Zoll-Schlauch, für Einsatz unter arktischen Bedingungen (6,1 m [20 Fuß])
FRHMN100S	1-Zoll-Zapfventilsatz, Manuelle Zapfdüse, verbleit
N100DAU13	1-Zoll-Zapfventil mit Abschaltautomatik (extrem hoher Durchfluss, Diesel)
N100DAU10	1-Zoll-Zapfventil mit Abschaltautomatik (hoher Durchfluss, Diesel)
FRNA100DAU00	1-Zoll-Zapfventil mit Abschaltautomatik (für Arktik, Diesel)
S100H315	1-Zoll-Drehgelenk, mehrere Ebenen

## Sicherheitsprüfungszulassungen

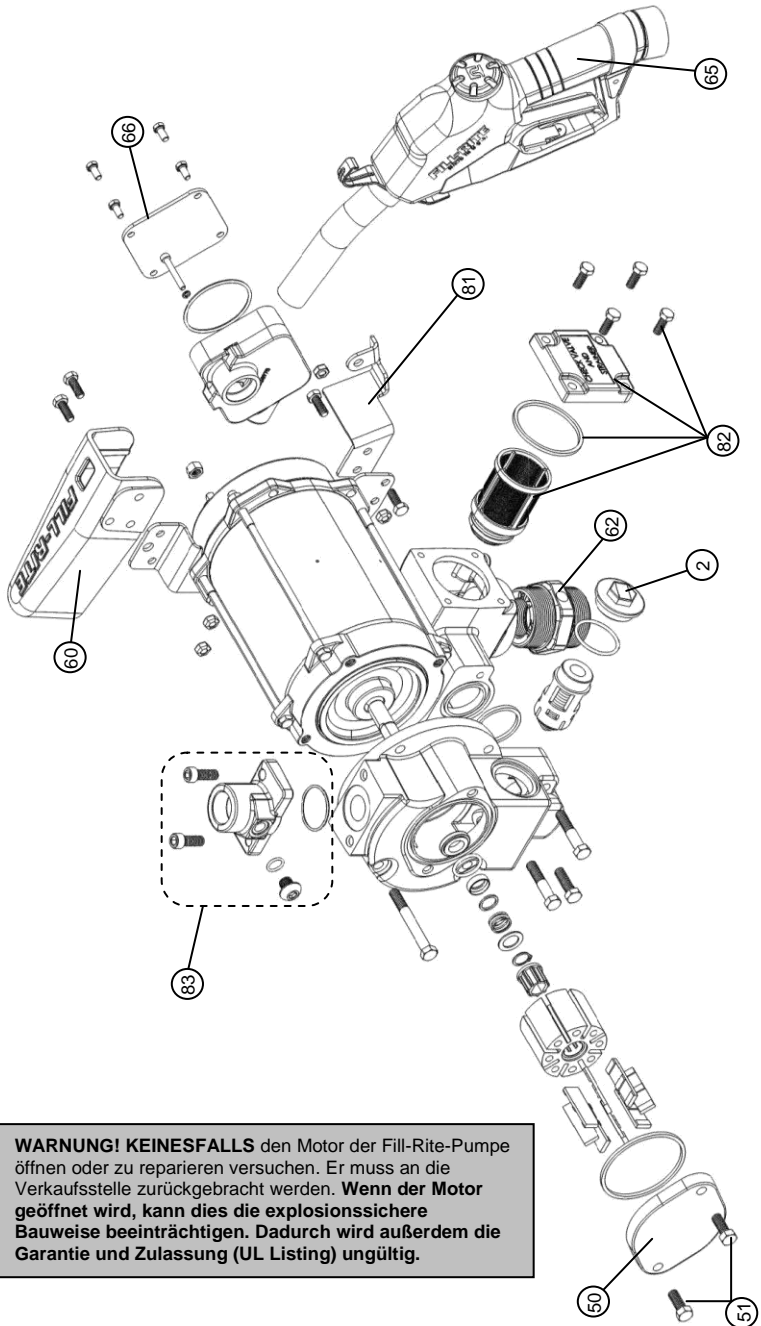
Die **Fill-Rite**-Pumpen wurden auf Konformität mit den Normen geprüft, die von Underwriters Laboratories vorgeschrieben werden (**HINWEIS:** Motor nur bei BD310V Biodiesel-Modell).



## Ersatzteil-Informationen

Für Reparaturen oder routinemäßige Wartung bietet Fill-Rite die benötigten Teile. Die folgende Explosionszeichnung und Teilleiste enthält alle Teile für das Fill-Rite-Produkt. Diese Teile können bei einem Fill-Rite-Vertragshändler erhalten werden. Sicherstellen, dass bei der Wartung und Instandsetzung nur Original-Fill-Rite-Ersatzteile verwendet werden. Eine Liste von Vertragshändlern ist auf unserer Website [www.fillrite.com](http://www.fillrite.com) zu finden.

## Teilleiste – FR310V



**WARNUNG! KEINESFALLS** den Motor der Fill-Rite-Pumpe öffnen oder zu reparieren versuchen. Er muss an die Verkaufsstelle zurückgebracht werden. **Wenn der Motor geöffnet wird, kann dies die explosions sichere Bauweise beeinträchtigen. Dadurch wird außerdem die Garantie und Zulassung (UL Listing) ungültig.**

## Teilleiste – FR300V

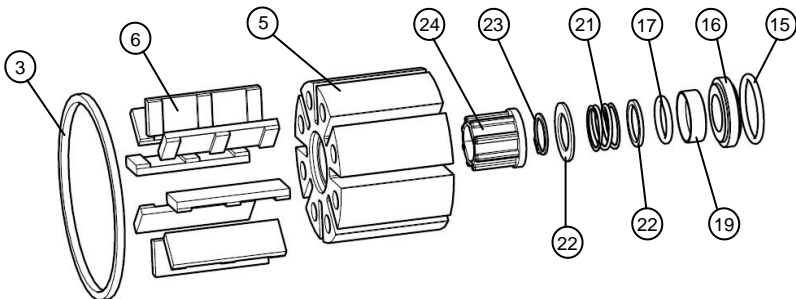
Posten	Teile-/Satz-Nr.	Beschreibung	Satz-Nr.	Menge		
2	KIT300BV	Bypasssatz (mit Kappe, Ventil und Dichtung)		1		
3	Reparatursatz 300KTF7794**	Dichtung, auf Drehbank geschnitten, Nitril	Dichtungssatz KIT700SL	1		
5		Pumpenrotor, maschinell bearbeitet		1		
6		Schieber, mit Kohlenstoff-Epoxyharz beschichtet		8		
11		O-Ring, Fluorkohlenstoff, -131		1		
15		O-Ring, Fluorkohlenstoff, -120		1		
16		Innere Dichtung, Kohle		1		
17		O-Ring, Fluorkohlenstoff, -114		1		
19		Dichtungsring		1		
21		Federdichtung		1		
22		Unterlegscheibe, Welle		1		
23		Sicherungsring, extern 5/8		1		
24		Rotor-Keilwelleneinsatz		1		
28		Dichtung, auf Drehbank geschnitten, Nitril		1		
30		Bypass-Baugruppe		1		
33		Dichtung, auf Drehbank geschnitten, Nitril		1		
50		Rotorabdeckung		1		
51		Befestigungsschrauben		2		
60		KIT120NB		Standard-Zapfventilhalterung, Gussteil		1
62		KIT700BG		Maschinell bearbeiteter Tankadapter AST 2 x 1-1/4		1
65	N100DAU13	1-Zoll-Zapfventil mit Automatik (LKW-Dieselzapfdüse)		1		
66	KIT300JC	Verteilerdosenabdeckung (mit Befestigungsteilen und Dichtung)		1		
80	KIT300MA	Zählerflansch (mit Befestigungsteilen und Dichtungen)		1		
81	KIT300NR	Zapfventilsicherung (mit Befestigungsteilen)		1		
82	KIT300SG	Rückschlagventil/Siebabdeckung		1		
-	KIT300BD	Biodiesel-Konvertierungssatz		1		
-	KIT700AS	Heberschutzsatz	Siehe Seite 7	1		
83	KIT300OT	Gerader Auslassflansch (mit Befestigungsteilen und Dichtungen)		1		
-	KIT300SW	Schalthebel (mit Befestigungsmutter)		1		

\*Rotorabdeckung (50) und Schrauben (51) sind in 300KTF7794 enthalten

\*\*Für BD310V-Modell BD300KTH0712 verwenden

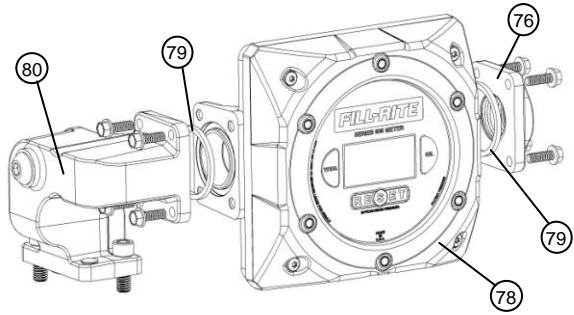
- = in Abbildungen nicht dargestellt

### Reparatursatz 300KTF7794 und Dichtungssatz KIT700SL, Detail



## Teilleiste – FR319V

Die Konfiguration FR319V verfügt zusätzlich über einen Digitalzähler der Serie 900DB oder 900DP, einen Einlasszählerflansch, einen Auslasszählerflansch, die zugehörigen Befestigungsteile und Dichtungen. Dieser Satz ist als Ausführung mit oder ohne Impulsgeber erhältlich.

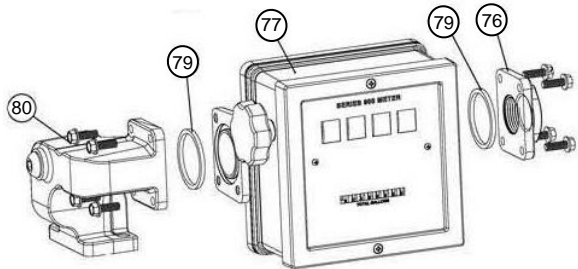


Posten	FR319VB (Satz ohne Impulsgeber)	Beschreibung	FR319VBP (Satz mit Impulsgeber)	Menge
78	Digitalzähler 900DB (kein Impulsgeber) FR319VB	Zähler 900DB (allein)	Zähler 900DP (mit integriertem Impulsgeber) FR319VBP	1
76		Zählerflansch		1
79		Zählerdichtung		2
80		1-Zoll-Zählerverschraubung		1
78	FR900DB	Zähler 900DP (allein)		1
-		Eigensichere Barriere*	KIT900DPBA	1

\*Nur zum Einsatz mit Zähler 900DP mit Impulsgeber

## Teilleiste – FR311V

Die Konfiguration FR311V verfügt zusätzlich über einen mechanischen Zähler der Serie 900, einen Einlasszählerflansch, einen Auslasszählerflansch, die zugehörigen Befestigungsteile und Dichtungen. Dieser Satz ist als Ausführung mit Liter- oder US-Gallonen-Zähler erhältlich.



Posten	US-Gallonen – Satz-Nr.	Beschreibung	Liter – Satz-Nr.	Menge
77	901	Zähler 900 (allein, US-Gallone)		1
76	Zähler 900 (US-Gallone) Satz-Nr. 901MK300V	Zählerflansch	Zähler 900 (Liter) Satz-Nr. 901LMK300V	1
79		Zählerdichtung		2
80		1-Zoll-Zählerverschraubung		1
77		Zähler 900 (allein, Liter)		901L

## Flüssigkeitsverträglichkeit

Dieselmotorkraftstoff    Benzin    Kerosin    Mineralbeizen    Stoddard-Lösungsmittel  
Heptan    Biodiesel (B20 max.)    \*Biodiesel (B21 – B100)



**WICHTIG!** Wenn die Verträglichkeit einer bestimmten Flüssigkeit nicht gesichert ist, den Flüssigkeitslieferanten kontaktieren und nach nachteiligen Reaktionen mit folgenden benutzten Werkstoffen fragen: **Gusseisen; Stahl; verzinkter Stahl; Edelstahl der Serie 300; Bronze; Kohle; Keramik; Polyester; Fasern; Fluorkohlenstoff; Buna; Edelstahl der Serie 400; Aluminium.**

\*NUR Modell BD310V

# Technische Informationen/Daten

## Funktionsmerkmale

- Einlass: Bung: 2-Zoll-NPT-Außengewinde; Saugrohr – 1-1/4-Zoll-NPT-Innengewinde.
- Auslass: 1 Zoll NPT oder 1 Zoll BSPT (BSPT bei Modell FR310VEMN und FR311VELMN).
- Pumpengehäuse aus Gusseisen: Eisenrotor (Verbundwerkstoff) und Schieber aus Kohle (Verbundwerkstoff).
- Sicherheit: Pumpe zum Anbringen eines Vorhängeschlosses geeignet (Details siehe Seite 9).
- Thermischer Überlastschutz.
- Robuster Schalter.
- 30-Minuten-Arbeitszyklus.
- Explosionssicherer Motor, UL-Listing, versiegelte wartungsfreie Lager.
- Integriertes Rückschlagventil mit Druckentlastung an Einlassseite verhindert Druckaufbau und verbessert die Hubwirkung.
- Einfach zugängliches Sieb.
- Automatisches Bypassventil.
- 2-Zoll-Gewindesockel für Tanköffnungen.
- Konstante Stromaufnahme (Servicefaktor 1,0):
  - 115 V~ 60 Hz – 9,8 A
  - 230 V~ 60 Hz – 4,9 A

## Gesamtabmaße:

Modell 310V: B x H x T = 435 x 381 x 378 mm (17,12 x 15 x 14,9 Zoll).

Modell 311V: B x H x T = 435 x 489 x 378 mm (17,12 x 19,25 x 14,9 Zoll).

Modell 319V: B x H x T = 435 x 493 x 378 mm (17,12 x 19,4 x 14,9 Zoll).

## Versandgewicht:

FR310V: 36,3 kg (80 lbs) / FR311V: 41,3 kg (91 lbs) / FR319V: 41,7 kg (92 lbs)

## Zubehör:

- Auf Seite 11 ist eine vollständige Liste der erhältlichen Zubehörteile zu finden.

## Leistung:

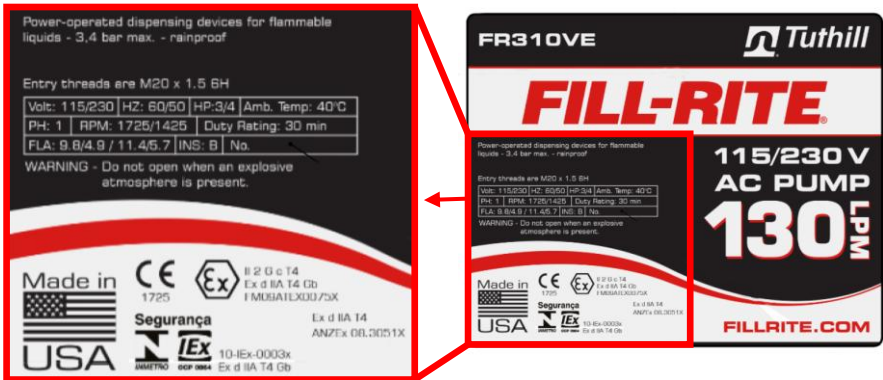
- Maximaldruck: 1,79 bar (26 psi) am Pumpenauslass.
- Bis zu 32,2 US-Gallonen (121,9 l) pro Minute.
- Maximale Viskosität der gepumpten Flüssigkeit: Dieselkraftstoff #2.
- Maximale Betriebstemperatur der Pumpe: 66 °C (150 °F).
- Minimale Betriebstemperatur der Pumpe: –29 °C (-20 °F). (für Betrieb bei –29 °C (-20 °F) ist die „Zapfdüse für Arktik“ und der „Schlauch für Arktik“ erforderlich, siehe Zubehörabschnitt auf Seite 11).
- Maximale Saughöhe: 3 m (10 Fuß) für Benzin; 5,5 m (18 Fuß) for Dieselkraftstoff #2 (die Saughöhe in Fuß entspricht dem vertikalen Abstand vom Flüssigkeitsstand im Tank zum Pumpeneinlass **MINUS Reibungsverluste** im vertikalen und horizontalen Leitungsverlauf, in allen Krümmern und anderen Armaturen. Das System muss so eingerichtet werden, dass ein **Mindestwert** an Saughöhe erzielt wird).



**WICHTIG!** Alle Verschraubungen an Pumpenmodellen und Zählern der Serie 300 mit Suffix M sind **BSPT-Standardgewinde**, **NICHT** NPT-Standardgewinde, wie an anderer Stelle in diesem Handbuch beschrieben. Auf dem Typenschild des Motors nachsehen, um welches Pumpenmodell es sich handelt.

## ACHTUNG!

Die folgenden Informationen gelten für Pumpen und Zähler mit Suffix E (vorgesehen zum Einsatz in Europa, Australien, Brasilien und Neuseeland)!  
Siehe Informationsschild auf der Pumpe, ob dies zutrifft.



## Werkstoff

Werkstoffe der Außenflächen des Geräts: lackierter Stahl; lackiertes Gusseisen; lackiertes Aluminium; verzinkter Stahl.

Werkstoffe der benetzten Teile: Gusseisen; Stahl; verzinkter Stahl; Edelstahl der Serie 300; Bronze; Kohle; Keramik; Polyester; Fasern; Fluorkohlenstoff; Buna; Edelstahl der Serie 400; Aluminium.

## Reparatur und Wartung

Kontaktieren Sie für Garantiereparaturen und Wartungsarbeiten den Verkäufer.

## Besondere Bedingungen für sicheren Einsatz

Die M8-Befestigungsteile zum Sichern des Statorgehäuses müssen Klasse 10.9 sein. Die M6-Befestigungsteile zum Sichern der Klemmgehäuseabdeckung müssen Klasse 8.8 sein.  
Mit brennbaren Flüssigkeiten müssen ein elektrisch leitender Schlauch und ein elektrisch leitendes Zapfventil verwendet werden.  
Zur Minimierung des Aufbaus statischer Elektrizität muss das Zapfventil in Kontakt mit dem Behälter sein, der gefüllt wird.

## Montage

Die Pumpe muss gemäß EN 60079-14 montiert werden.

Sicherheitskonformitäts-Zertifikate für Produkte, die außerhalb der Vereinigten Staaten und Kanada verkauft werden, wurden für die folgenden Agenturen eingeholt. Das Schild auf dem Produkt enthält die relevanten Konformitätsdaten.



CENELEC Normen



Garantieinformationen sind unter [www.fillrite.com](http://www.fillrite.com) erhältlich.