



**DOSATRON®**

WATER POWERED DOSING TECHNOLOGY

---

# SCHEMATICS

Dosatron Liquid Dispenser  
**Model # D14MZ2-D - 14 GPM  
Vehicle Wash**

1:500 - 1:50

4.3 – 85 PSI

3/4" NPT Connection

**Suggested Installation:**

200 mesh/80 micron water filter prior to unit

One-way check valve downstream from unit for water hammer protection

**Suggested Maintenance Interval:**

Replace injection seals every 12 months

---

**DOSATRON SALES & SERVICE - NORTH & CENTRAL AMERICA**

Dosatron International, Inc.

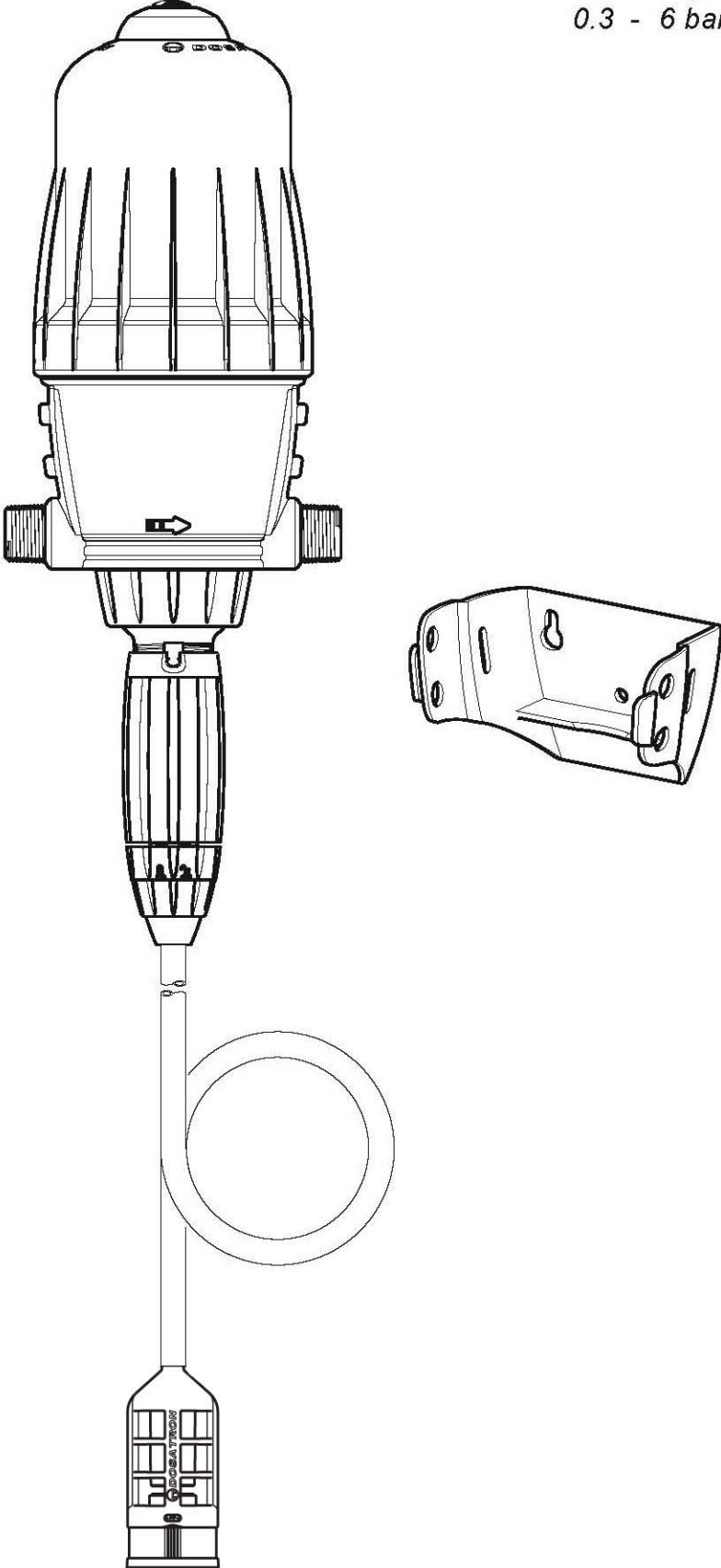
Phone: 727-443-5404 Service: (800) 523-8499

Fax: 727-447-0591

[www.dosatronUSA.com](http://www.dosatronUSA.com)

# D14MZ2-D Vehicle Wash

14 GPM - 1:500 - 1:50  
3 m<sup>3</sup>/h - 0.2 - 2 %  
4.3 - 85 psi  
0.3 - 6 bar

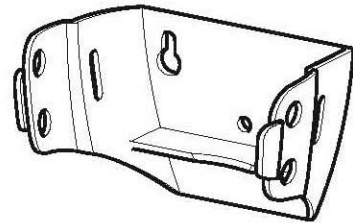
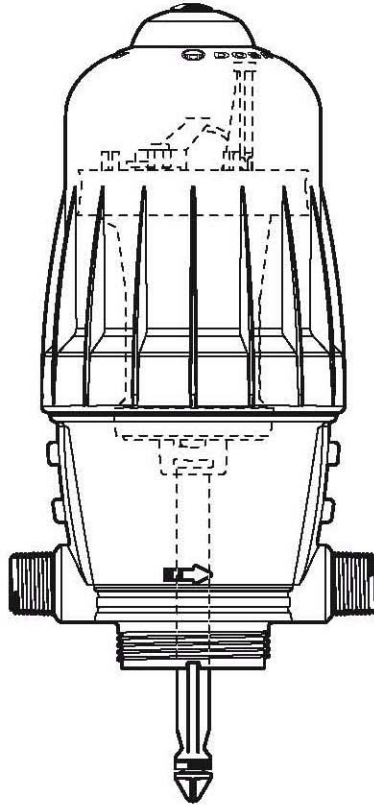


PJDI116 - Injection Seal Kit

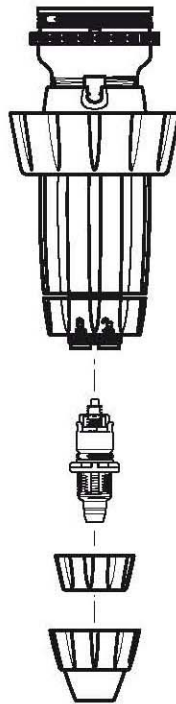
# D14MZ2-D Vehicle Wash

14 GPM - 1:500 - 1:50  
3 m<sup>3</sup>/h - 0.2 - 2 %  
4.3 - 85 psi  
0.3 - 6 bar

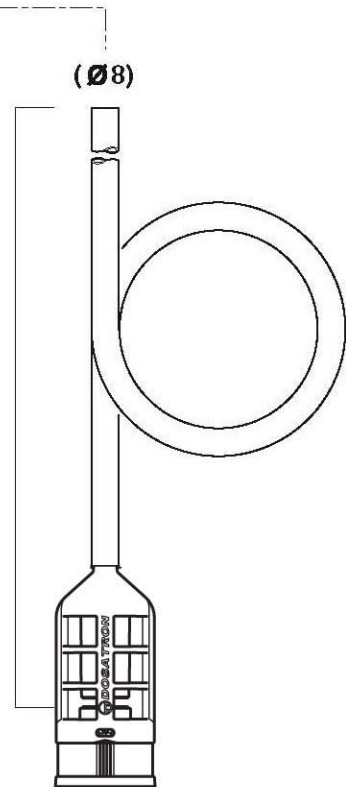
C+M



D

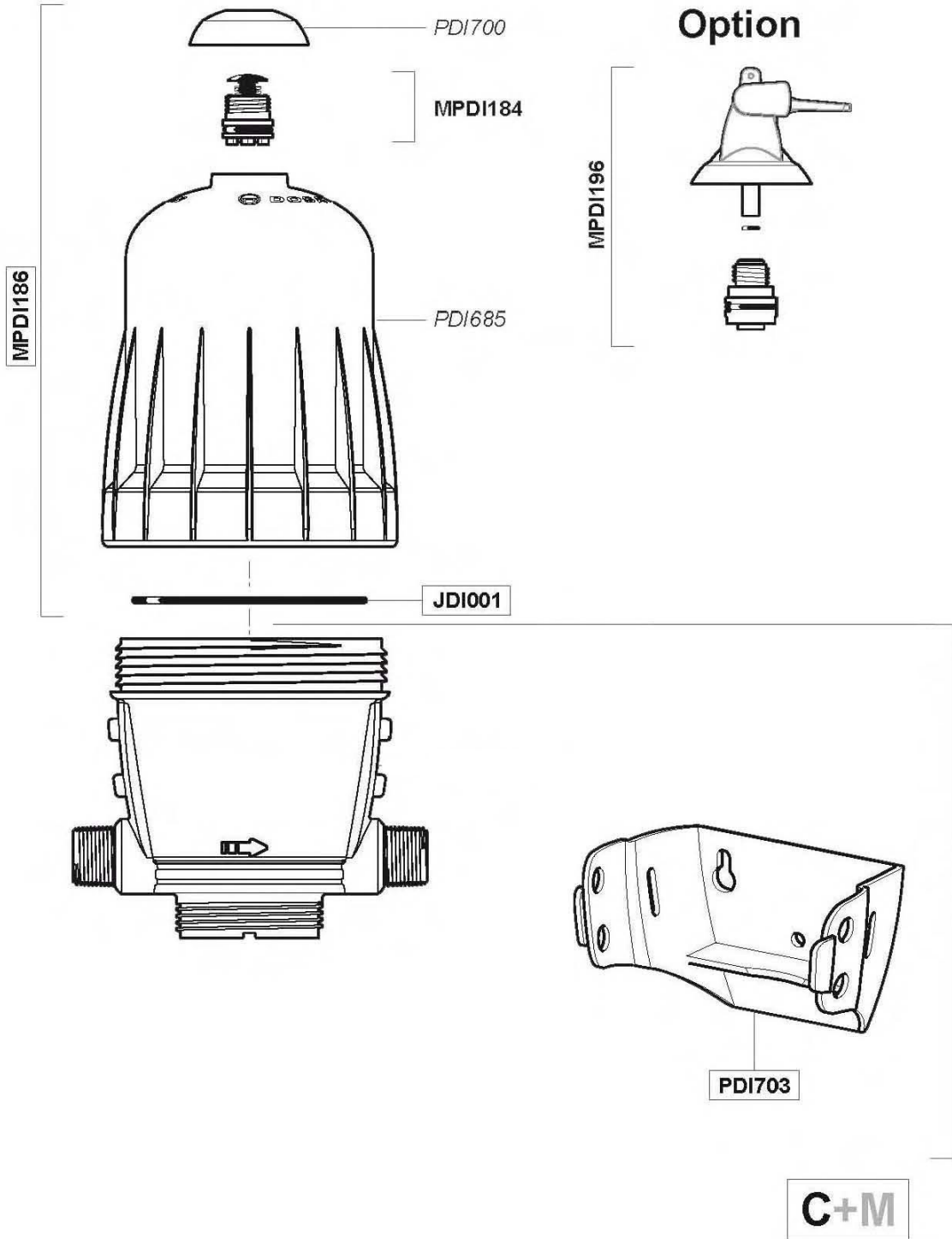


A



# D14MZ2-D Vehicle Wash

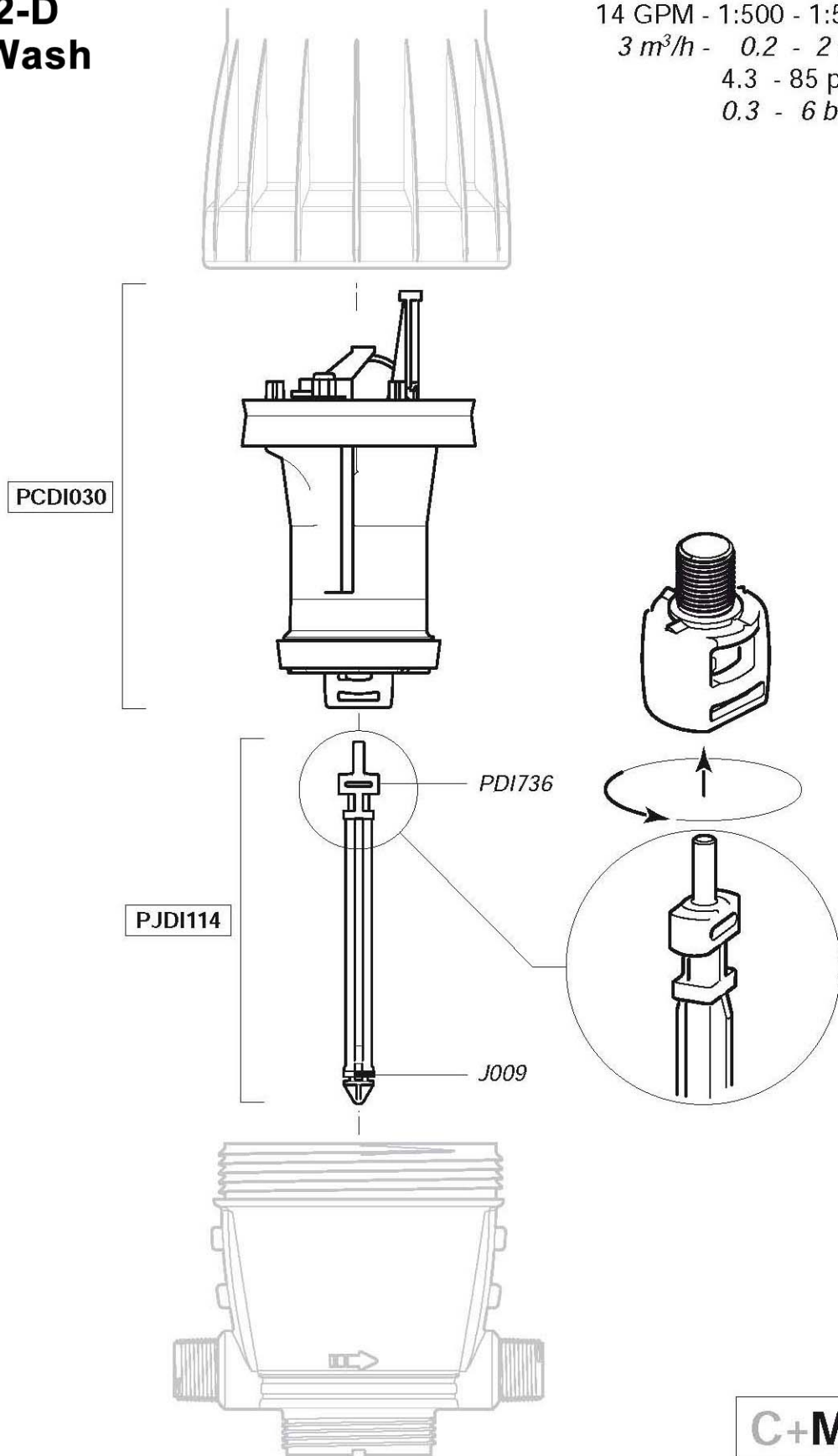
14 GPM - 1:500 - 1:50  
 3 m<sup>3</sup>/h - 0.2 - 2 %  
 4.3 - 85 psi  
 0.3 - 6 bar



© DOSATRON INTERNATIONAL S.A.S. 2008  
 D14MZ2/0608/D3

# D14MZ2-D Vehicle Wash

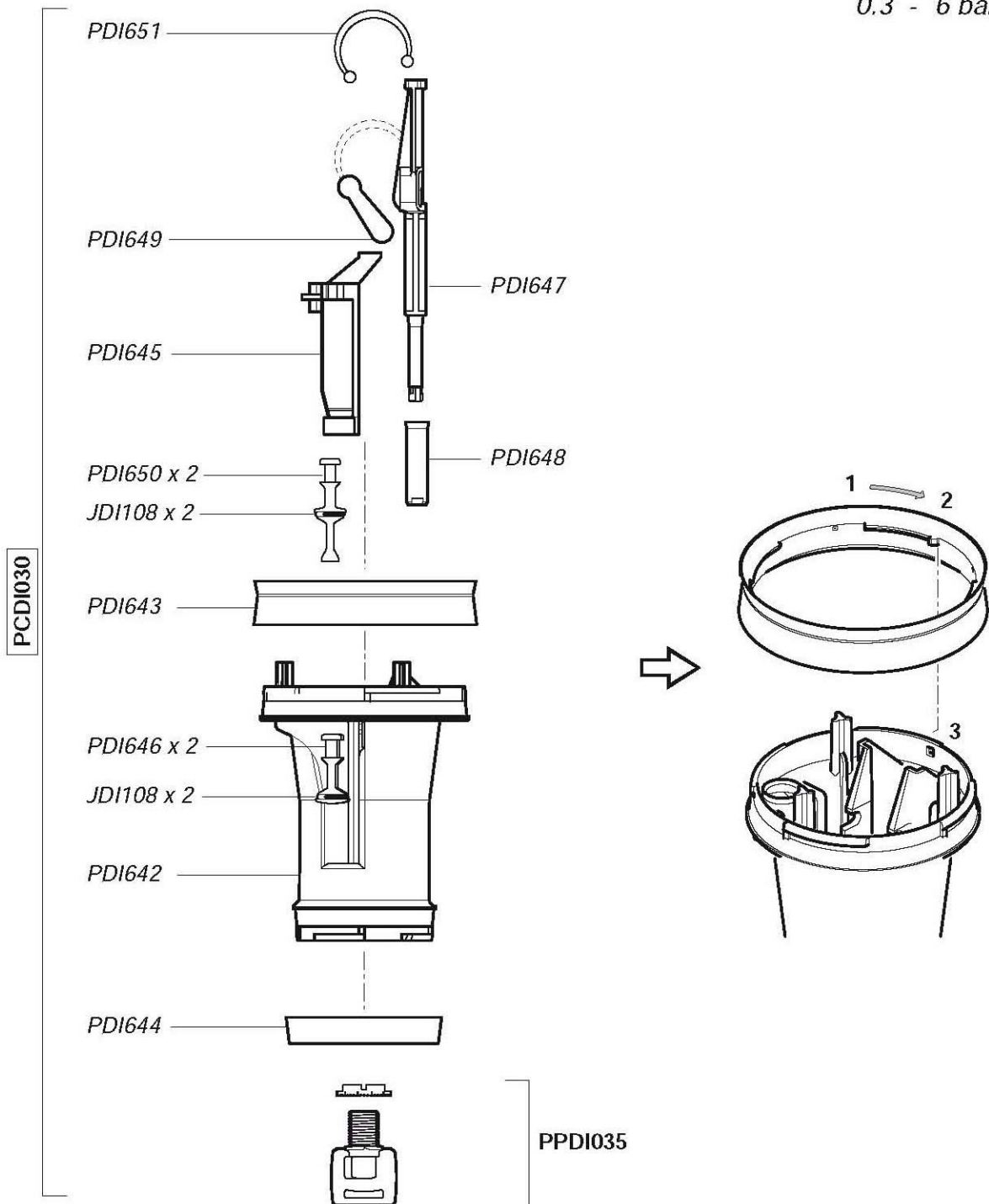
14 GPM - 1:500 - 1:50  
3 m<sup>3</sup>/h - 0.2 - 2 %  
4.3 - 85 psi  
0.3 - 6 bar



**C+M**

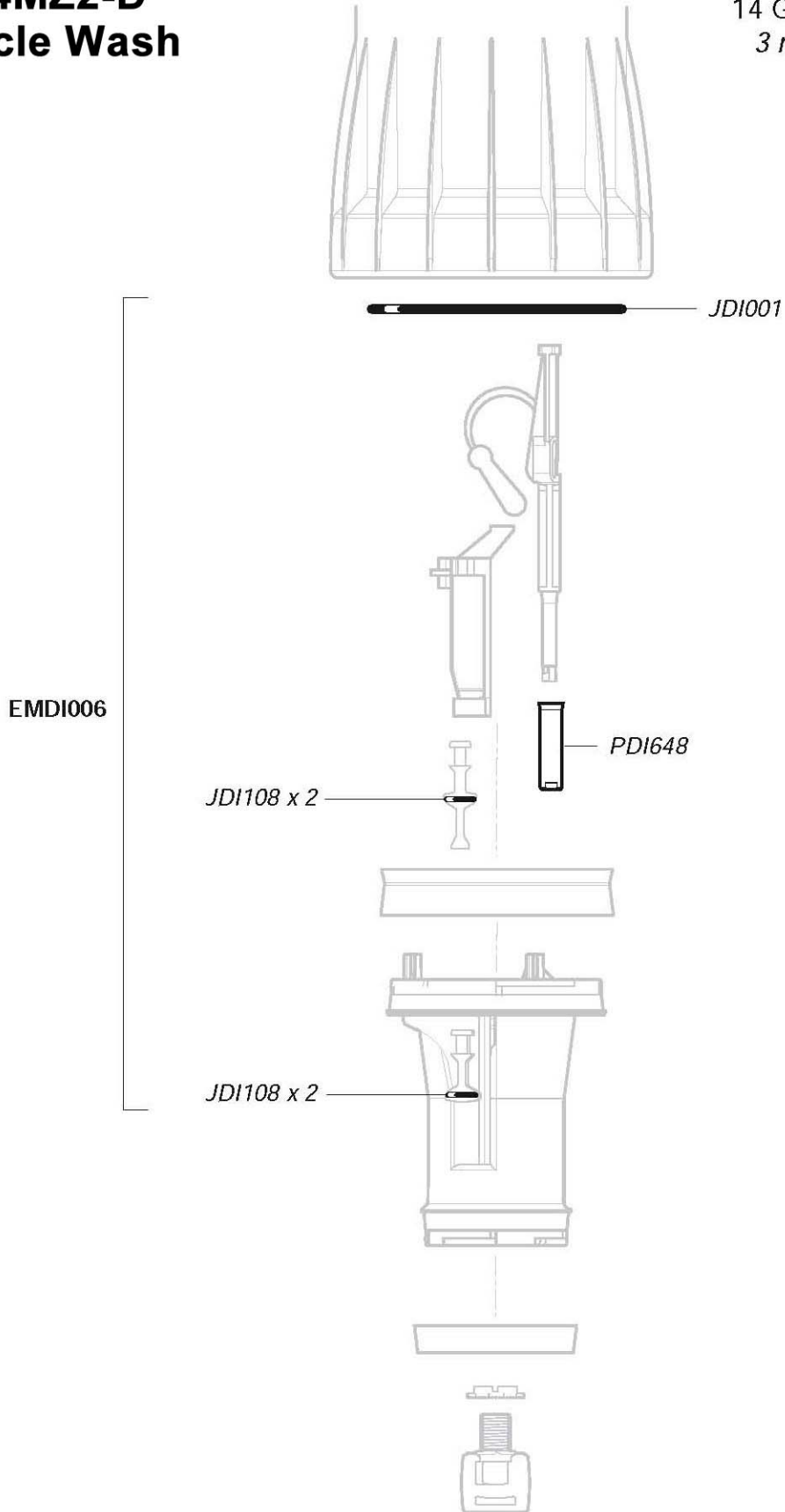
# D14MZ2-D Vehicle Wash

14 GPM - 1:500 - 1:50  
 3 m<sup>3</sup>/h - 0.2 - 2 %  
 4.3 - 85 psi  
 0.3 - 6 bar



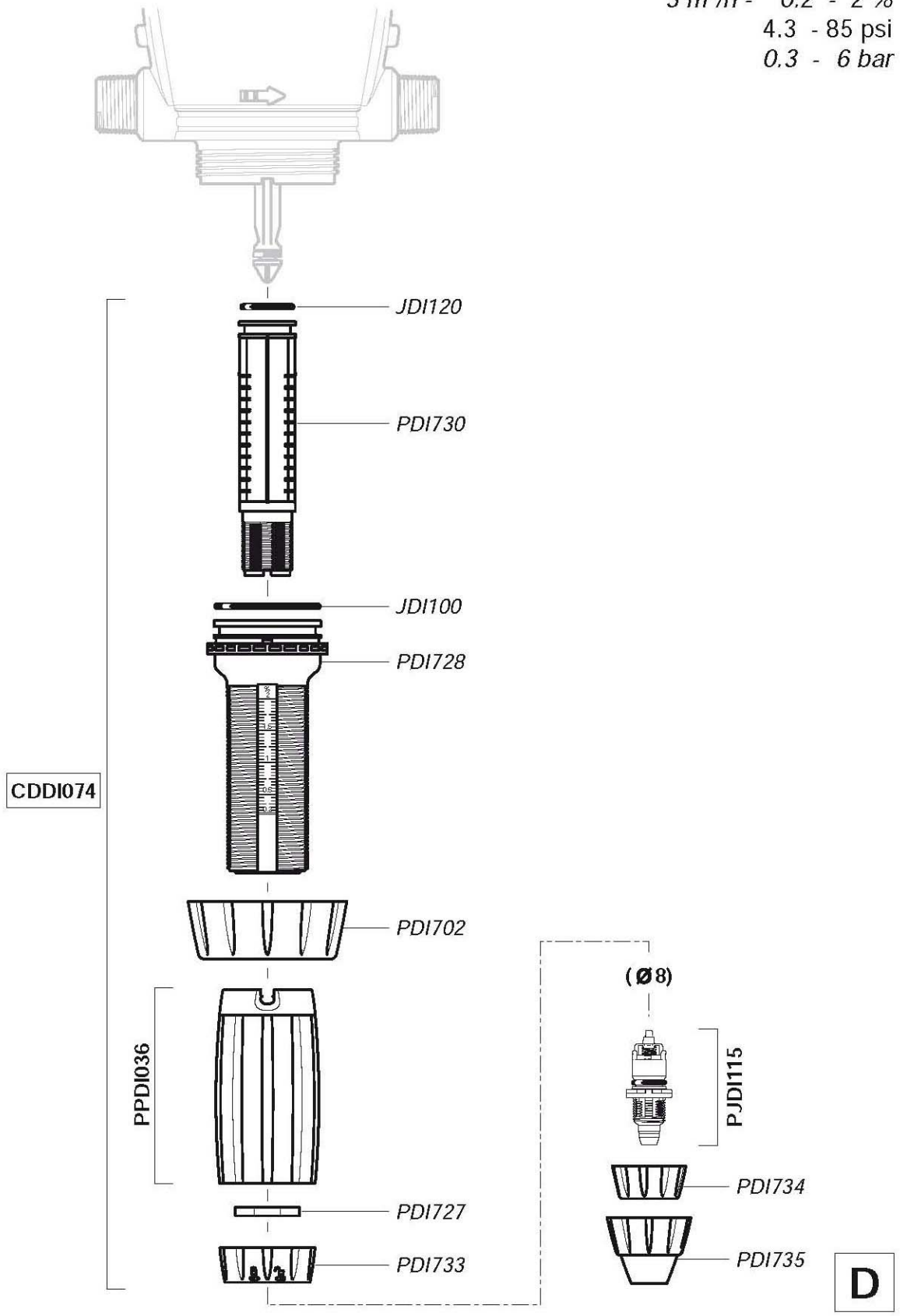
# D14MZ2-D Vehicle Wash

14 GPM - 1:500 - 1:50  
3 m<sup>3</sup>/h - 0.2 - 2 %  
4.3 - 85 psi  
0.3 - 6 bar



# D14MZ2-D Vehicle Wash

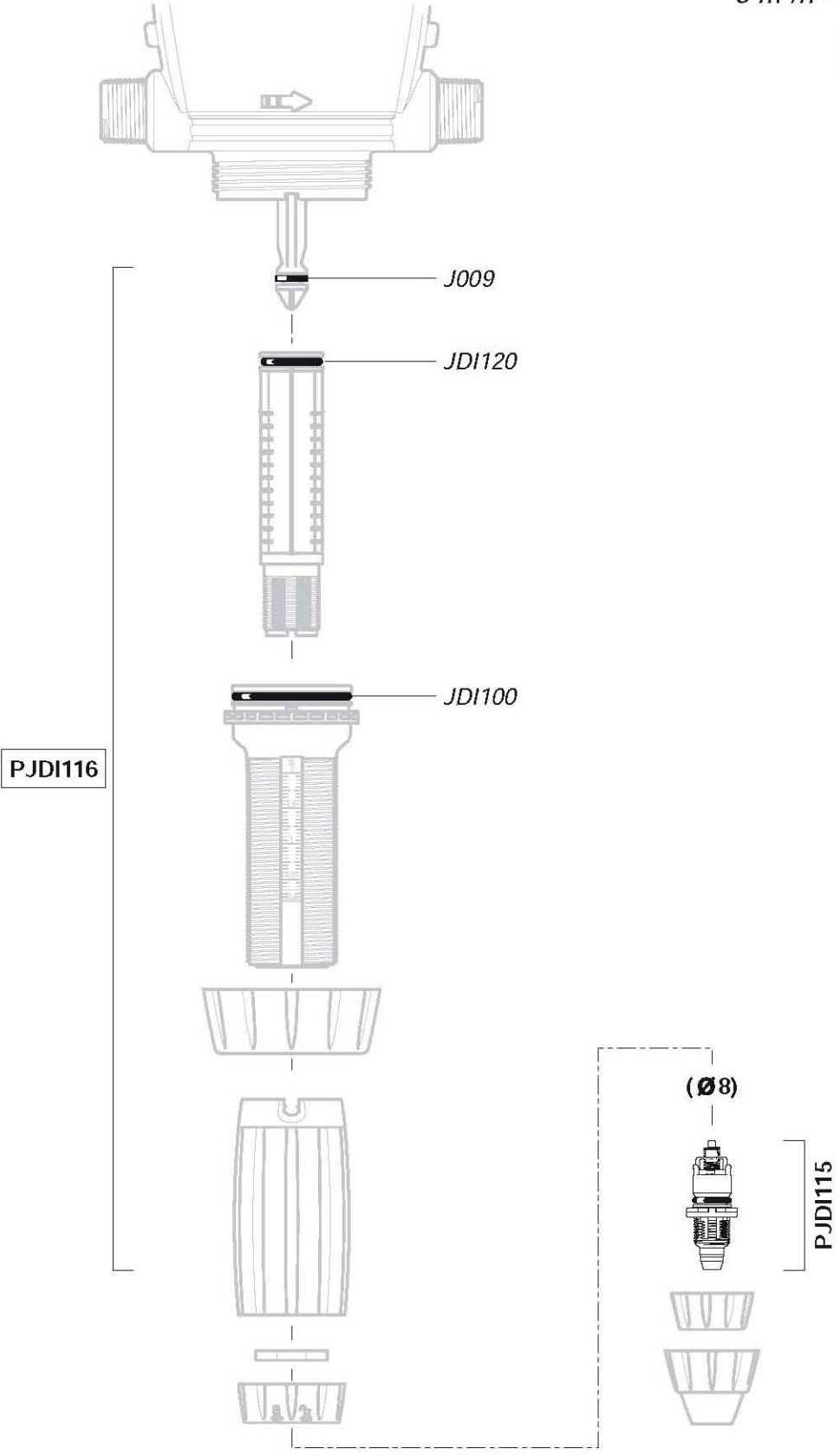
14 GPM - 1:500 - 1:50  
 3 m<sup>3</sup>/h - 0.2 - 2 %  
 4.3 - 85 psi  
 0.3 - 6 bar





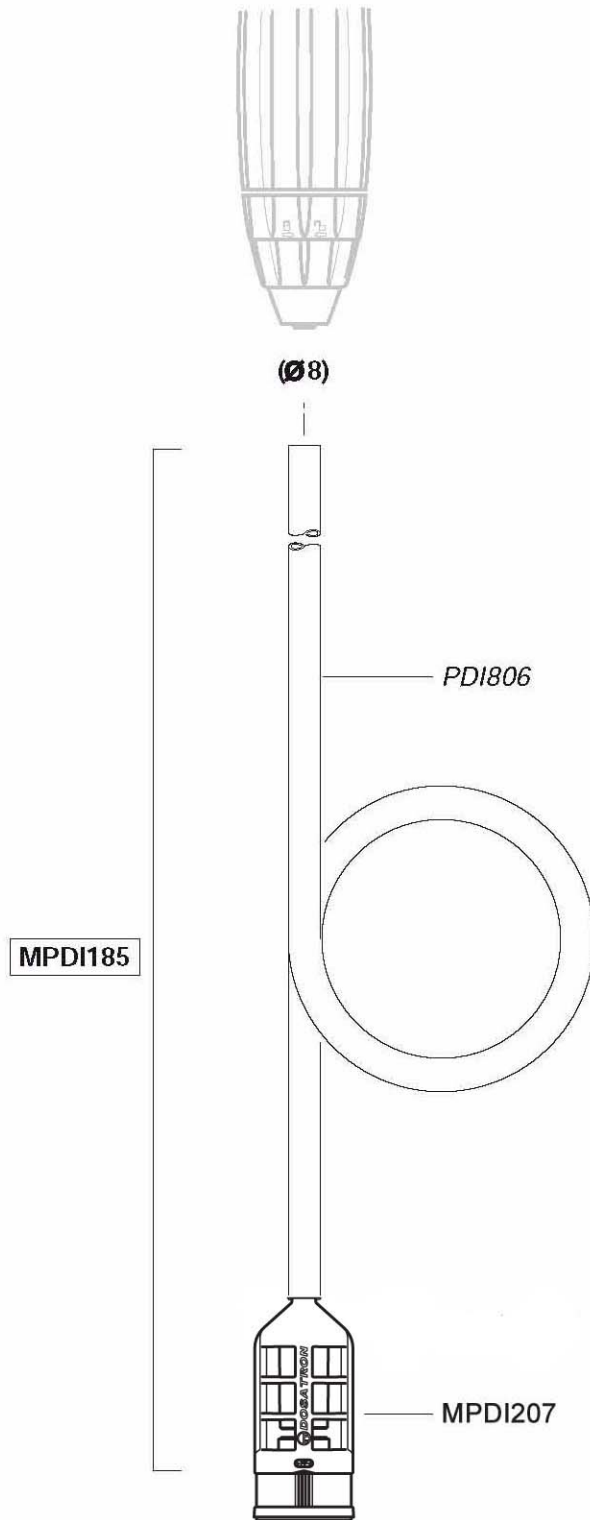
# D14MZ2-D Vehicle Wash

14 GPM - 1:500 - 1:50  
3 m<sup>3</sup>/h - 0.2 - 2 %  
4.3 - 85 psi  
0.3 - 6 bar



# D14MZ2-D Vehicle Wash

14 GPM - 1:500 - 1:50  
3 m<sup>3</sup>/h - 0.2 - 2 %  
4.3 - 85 psi  
0.3 - 6 bar



**A**