



**DOSATRON®**

*WATER POWERED DOSING TECHNOLOGY*

---

# SCHEMATICS

Dosatron Liquid Dispenser  
**Model # D14MZ10-D - 14 GPM**  
**Vehicle Wash**

1:100 - 1:10

7 – 85 PSI

$\frac{3}{4}$ " NPT connection

**Suggested Installation:**

200 mesh/80 micron water filter prior to unit

One-way check valve downstream from unit for water hammer protection

**Suggested Maintenance Interval:**

Replace injection seals every 12 months

**DOSATRON SALES & SERVICE - NORTH & CENTRAL AMERICA**

---

Dosatron International, Inc.

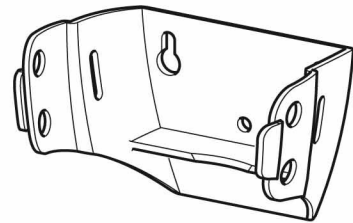
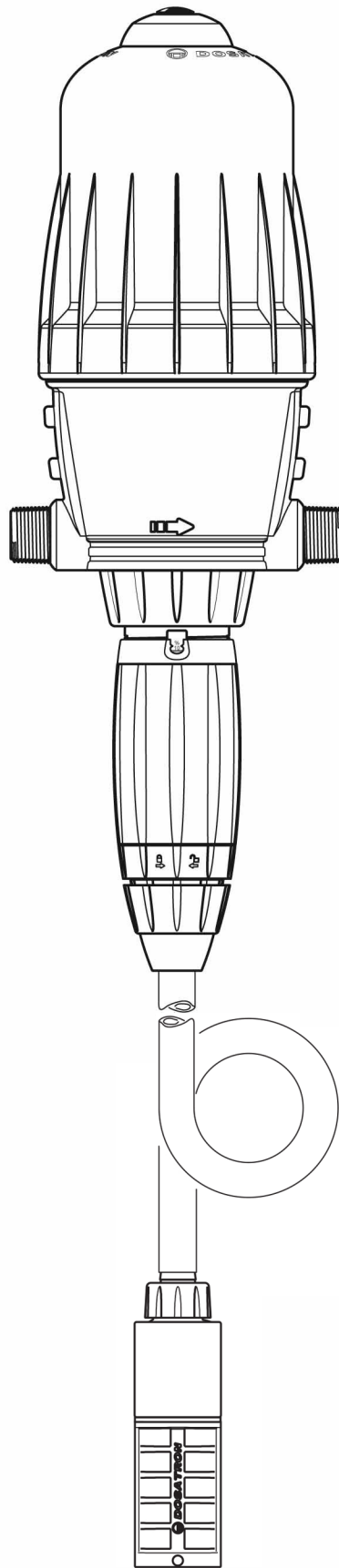
Phone: 727-443-5404 Service: (800) 523-8499

Fax: 727-447-0591

[www.dosatronUSA.com](http://www.dosatronUSA.com)

# D14MZ10

14 GPM - 1:100 - 1:10  
3 m<sup>3</sup>/h - 1 -10 %  
7 - 85 psi  
0.5 - 6 bar



© DOSATRON INTERNATIONAL S.A.S. 2008  
D14MZ10/0608/D1

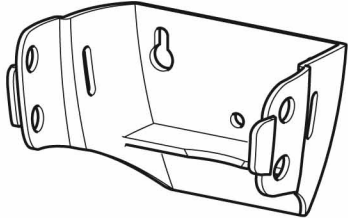
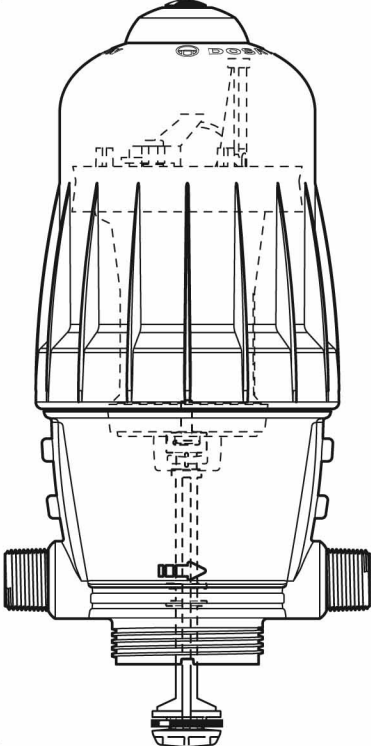
PJDI122 - Injection Seal Kit

PJDI122V - Injection Seal Kit for Viscous Hose

**D14MZ10-D  
Vehicle Wash**

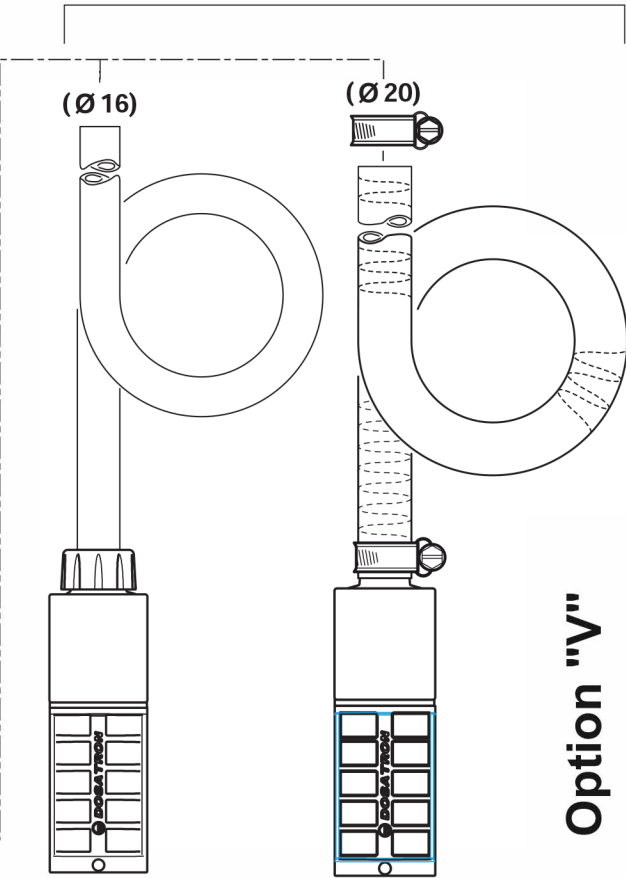
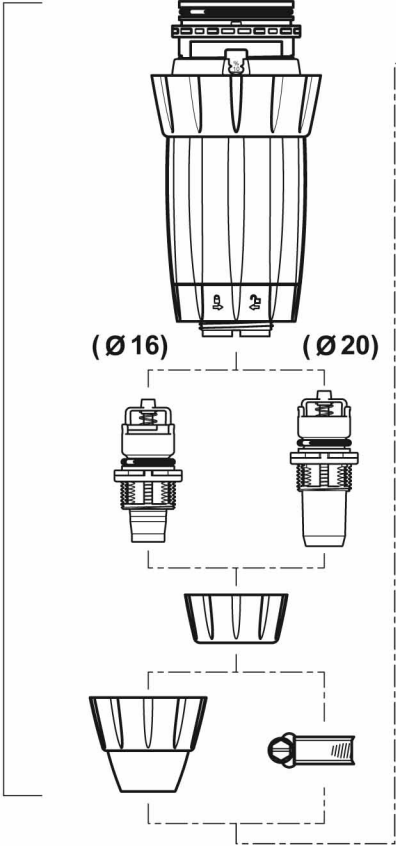
14 GPM - 1:100 - 1:10  
 3 m<sup>3</sup>/h - 1 - 10 %  
 7 - 85 psi  
 0.5 - 6 bar

**C+M**



**A**

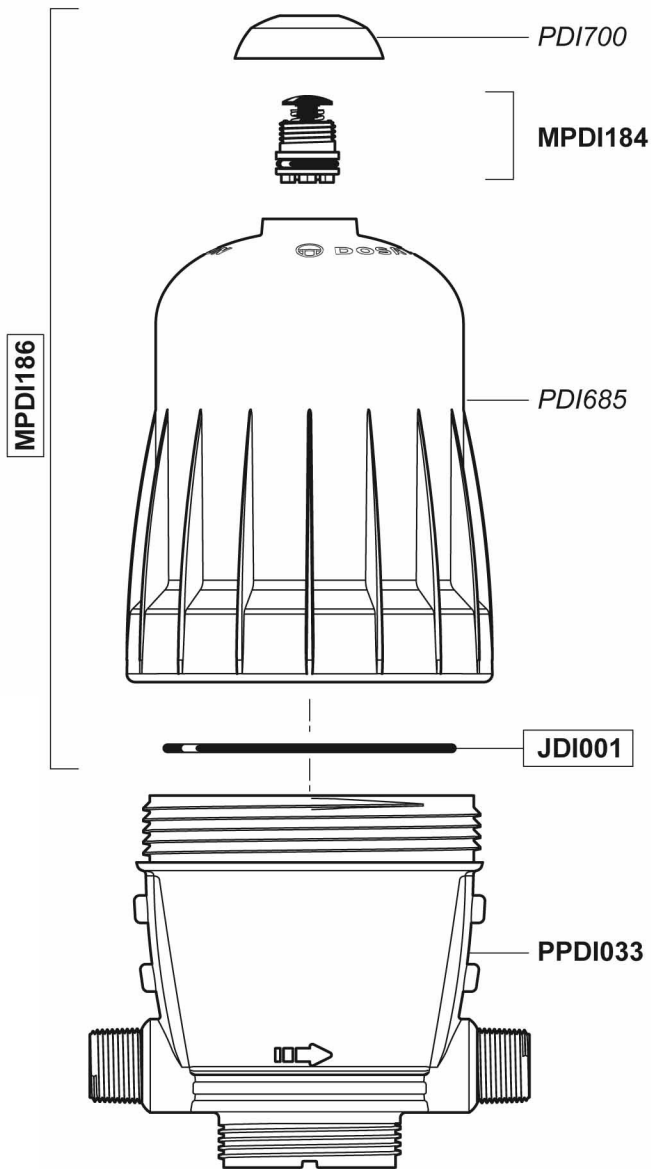
**D**



**Option "V"**

**D14MZ10-D  
Vehicle Wash**

14 GPM - 1:100 - 1:10  
3 m<sup>3</sup>/h - 1 - 10 %  
7 - 85 psi  
0.5 - 6 bar

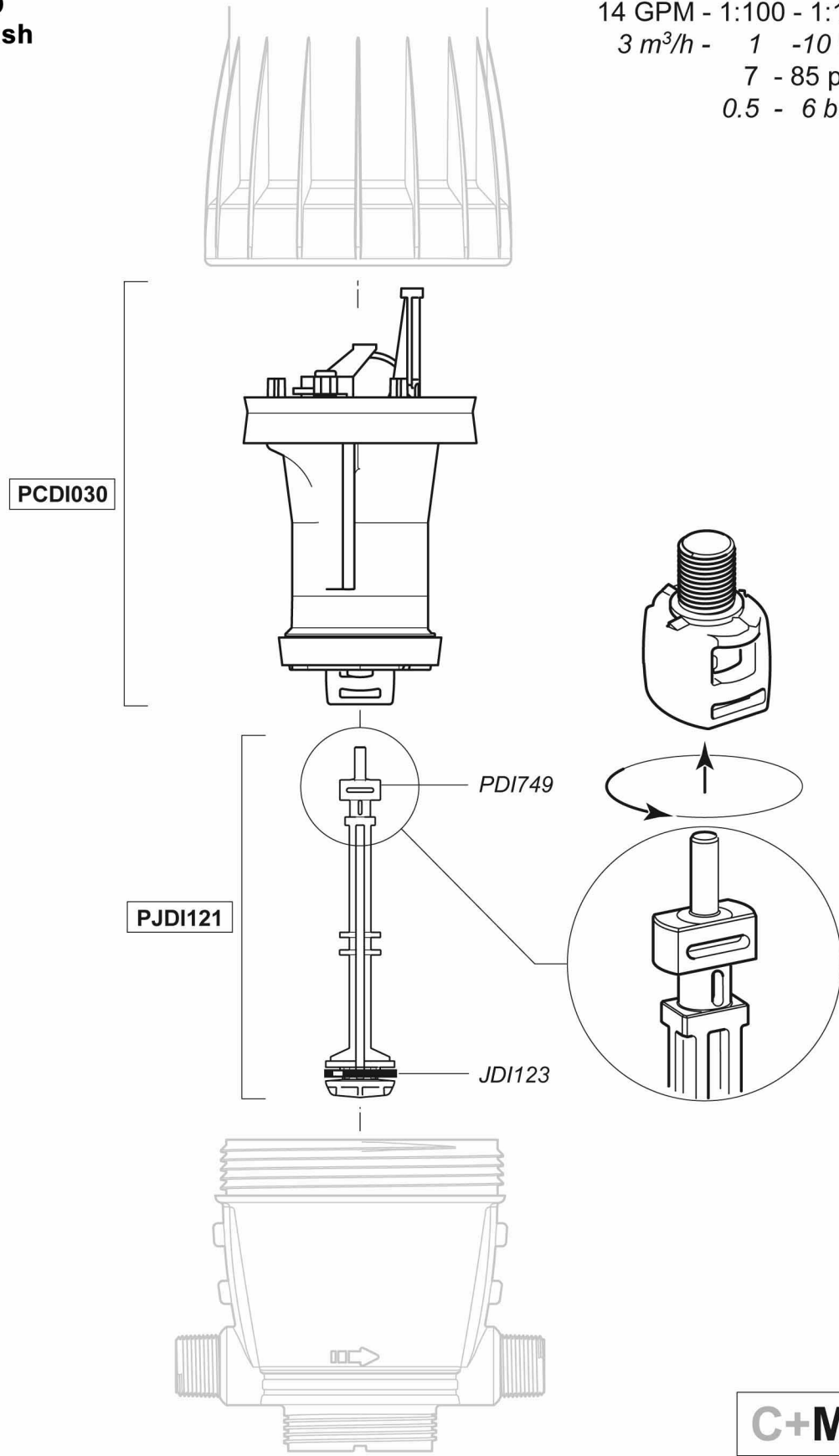


**Option**

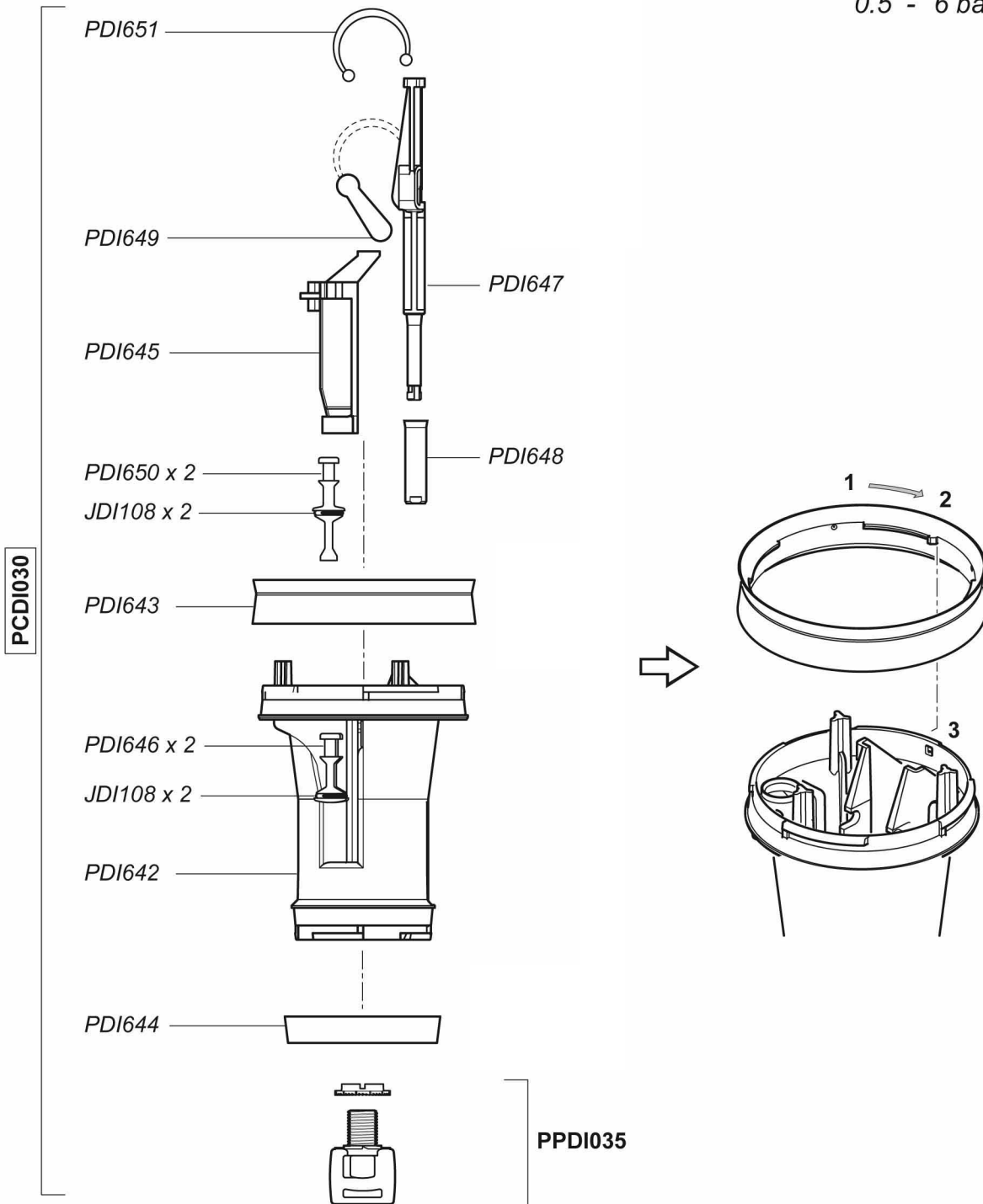


**D14MZ10-D  
Vehicle Wash**

14 GPM - 1:100 - 1:10  
3 m<sup>3</sup>/h - 1 - 10 %  
7 - 85 psi  
0.5 - 6 bar

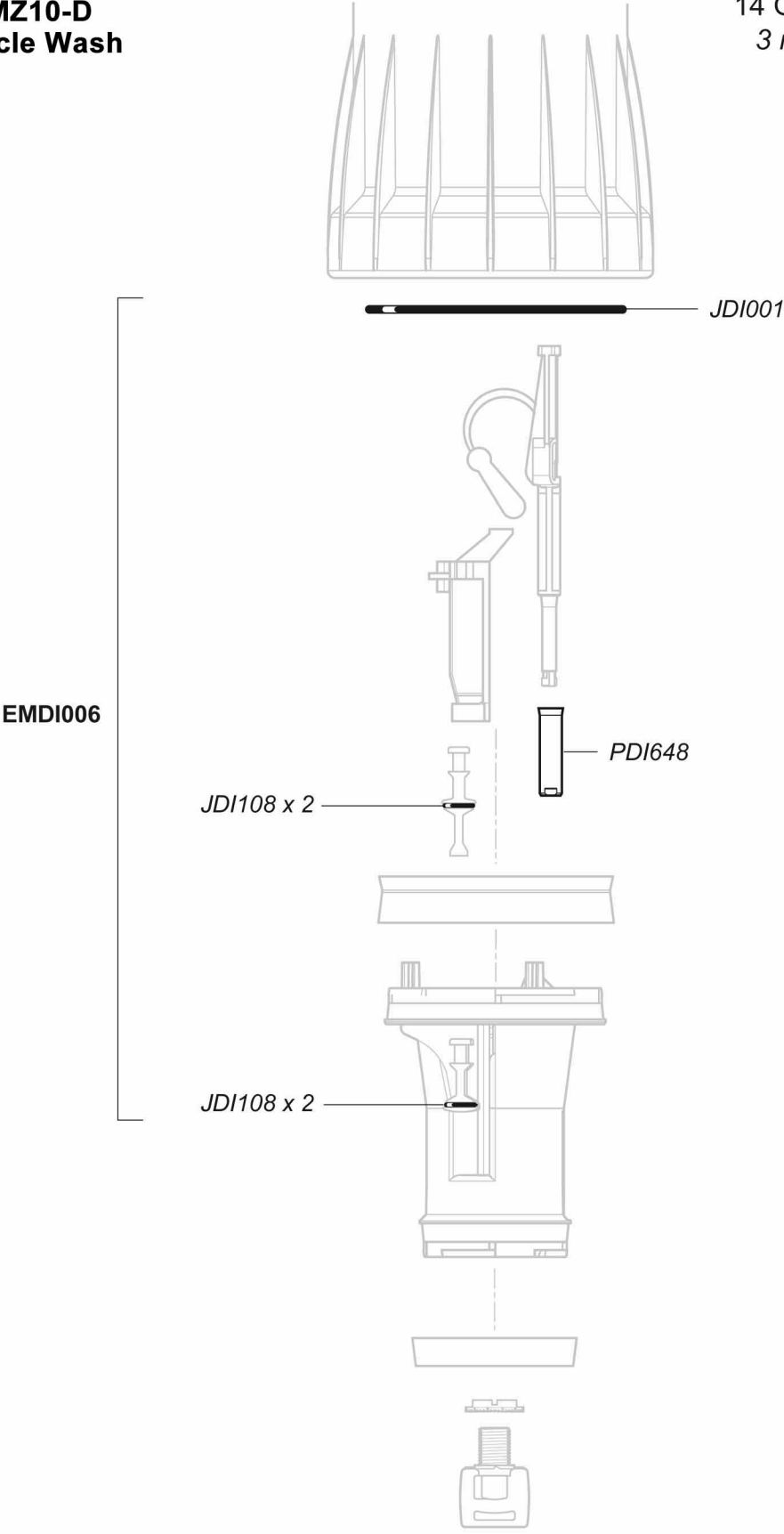


14 GPM - 1:100 - 1:10  
 3 m<sup>3</sup>/h - 1 - 10 %  
 7 - 85 psi  
 0.5 - 6 bar



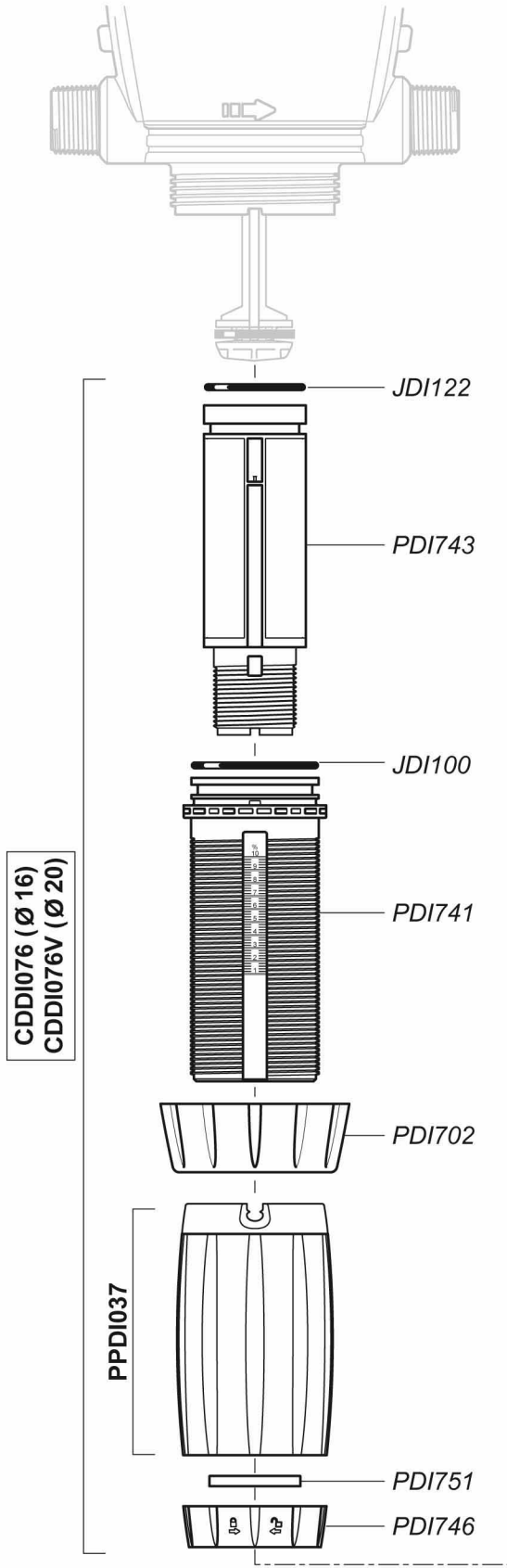
**D14MZ10-D  
Vehicle Wash**

14 GPM - 1:100 - 1:10  
3 m<sup>3</sup>/h - 1 - 10 %  
7 - 85 psi  
0.5 - 6 bar

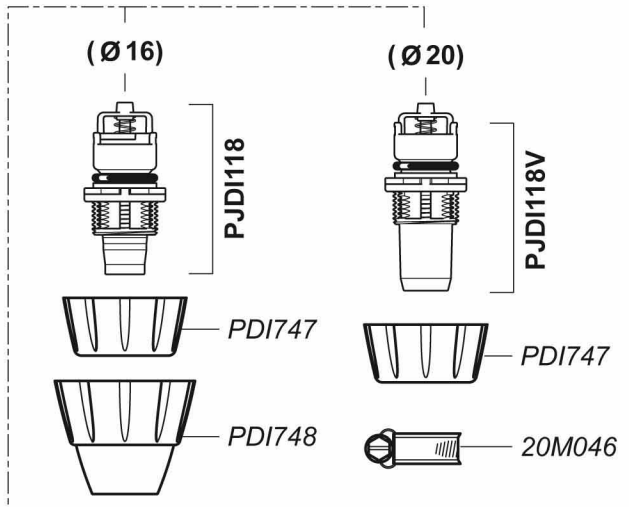


**D14MZ10-D  
Vehicle Wash**

14 GPM - 1:100 - 1:10  
 3 m<sup>3</sup>/h - 1 - 10 %  
 7 - 85 psi  
 0.5 - 6 bar



**Option "V"**

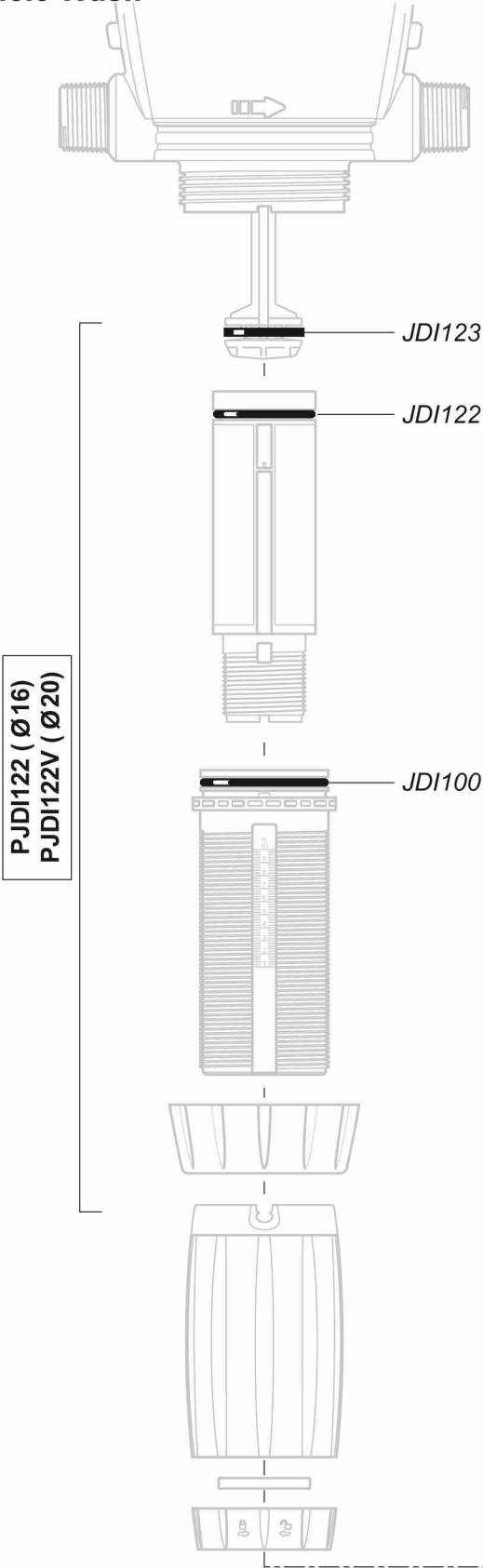


**D**

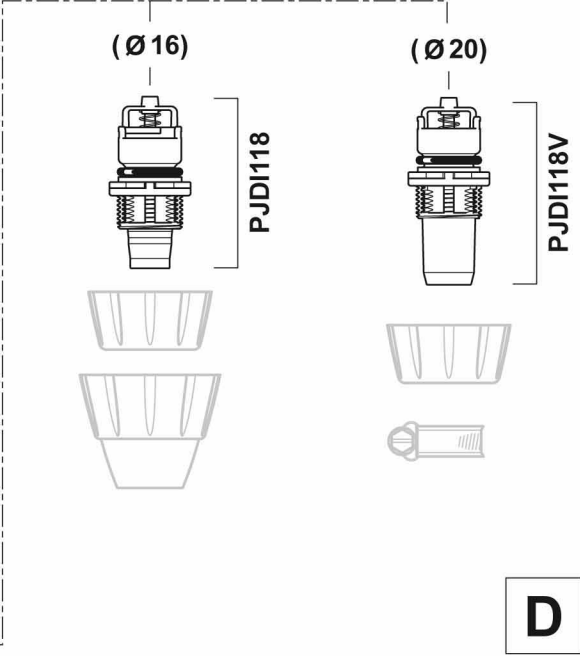


**D14MZ10-D  
Vehicle Wash**

14 GPM - 1:100 - 1:10  
 3 m<sup>3</sup>/h - 1 - 10 %  
 7 - 85 psi  
 0.5 - 6 bar



**Option "V"**



**D**

**D14MZ10-D  
Vehicle Wash**

14 GPM - 1:100 - 1:10  
 3 m<sup>3</sup>/h - 1 - 10 %  
 7 - 85 psi  
 0.5 - 6 bar

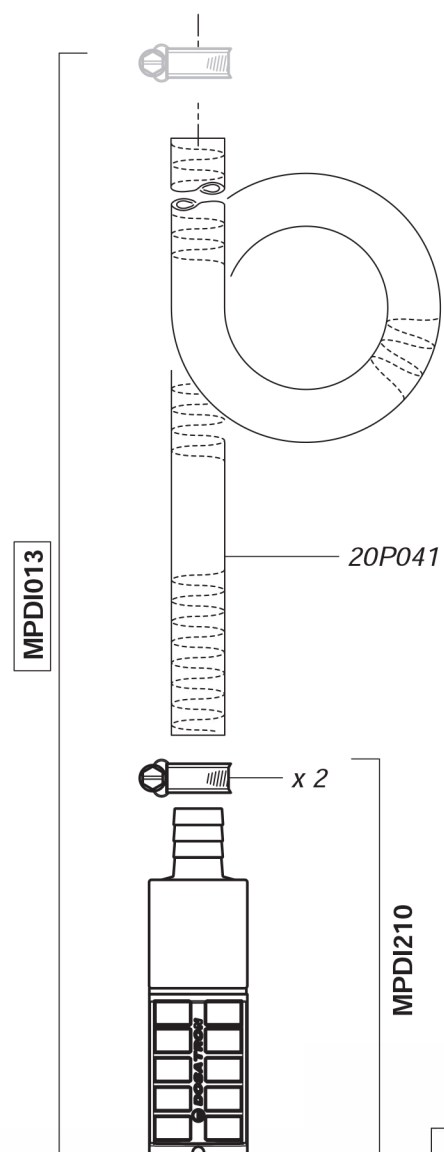
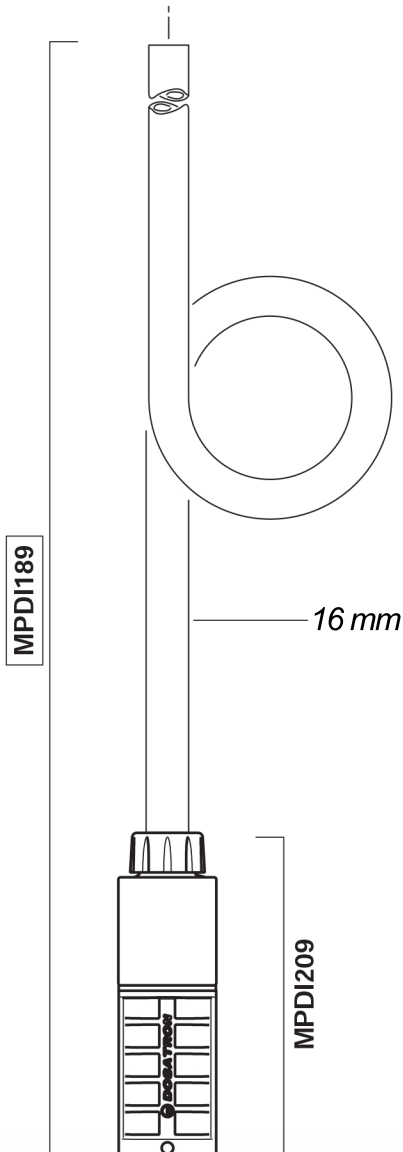


(Ø16)



(Ø20)

**Option "V"**



**A**