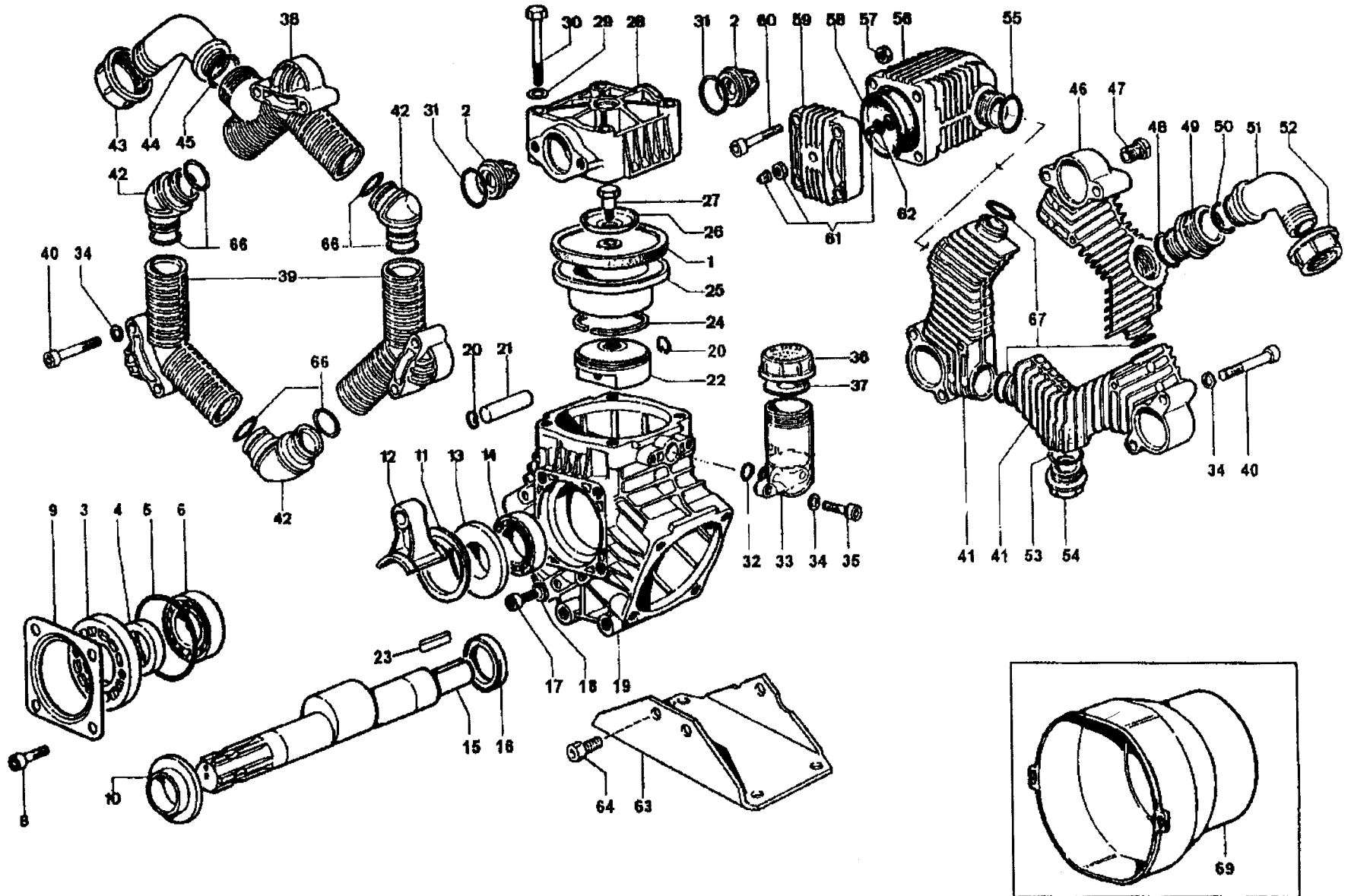


# DP-282-P/DP-332-PP



# DP-282-P & DP-332-P

\* Pump Kit: DP-62980397

■ Pump Kit with Shaft Seals: DP-62981097

□ SS Valve Kit: DP-62980597

◆ Desmopan Diaphragm Kit: DP-62980797

13

POS	PART NUMBER	QTY	DESCRIPTION	POS	PART NUMBER	QTY	DESCRIPTION
■◆ 1	DP-62004000	3	DESMOPAN PISTON DIAPHRAGM	33	DP-23000832	1	OIL FILLER
1	DP-62004036	3	HPS PISTON DIAPHRAGM (OPT)	34	DP-84368550	14	WASHER DIA. 8, 2 X 15 X 1, 5
□ 2	DP-28980997	6	SS VALVE ASSY	35	DP-86268250	2	SCREW M8 X 25 UNI5931
3	DP-53000732	1	HOUSING	36	DP-85275000	1	OIL FILLER CAP
■* 4	DP-80214310	1	OIL SEAL DIA. 35 X 52 X 7	■37	DP-82412000	1	GASKET DIA. 45 X 19 X 1, 5
■* 5	DP-80331000	1	O-RING 4. 0 X 82	38	DP-62000432	1	MANIFOLD PIPE G. 1-1/2"
6	DP-81284600	1	BALL BEARING DIA. 35 X 72 X 17	39	DP-62000332	2	MANIFOLD PIPE
8	DP-86318750	4	SCREW M10 X 18 UNI 5931	40	DP-86296000	12	SCREW M8 X 65 UNI5931
9	DP-17001661	1	FLANGE	41	DP-62000232	2	MANIFOLD PIPE (OUTLET)
10	DP-62002909	1	SPACER CRANKSHAFT	42	DP-62000732	3	ELBOW MANIFOLD
11	DP-98004776	2	CONNECTING ROD RINGS	43	DP-82007000	1	WING NUT G. 1-1/2"
12	DP-62000811	3	BRONZE CONRODS	44	DP-84057100	1	90° ELBOW CONNECTOR DIA. 38
13	DP-28002709	1	SHAFT SPACER	■45	DP-80321910	1	O-RING 3, 0 X 30
14	DP-81283700	1	BALL BEARING DIA. 35 X 62 X 14	46	DP-62003132	1	MANIFOLD PIPE G. 3/8
15	DP-62002726	1	CRANKSHAFT "VDA"	47	DP-85257600	1	CAP G. 3/8
■16	DP-80214310	1	OIL SEAL DIA. 35 X 52 X 7	■48	DP-80321910	1	O-RING 3, 0 X 30
17	DP-86369450	1	SCREW M12 X 20 UNI 5931	49	DP- 83508900	1	NIPPLES G. 1- G. 1-1/4"
■18	DP-82407900	1	GASKET DIA. 13, 2 X 17 X 1 COPPER	■50	DP-80321900	1	O-RING 3, 0 X 25
19	DP-62003009	1	CRANKCASE	51	DP-84054240	1	90° ELBOW CONNECTOR DIA .25
20	DP-80002100	6	RING DIA. 15	52	DP-82006750	1	WING NUT G. 1-1/4"
21	DP-85200670	3	PISTON PIN DIA. 15	■53	DP-80320600	1	O-RING 2, 62 X 28, 25
22	DP-62001809	3	PISTON DIA. 78 (DP-332)	54	DP-85271000	1	CAP G 1 "
22	DP-63001309	3	PISTON DIA. 72 (DP-282)	■55	DP-80321910	1	O-RING 3, 0 X 30
23	DP-80647500	1	TAB 6, 36 X 6, 36 X 38	56	DP-27003532	1	DAMPER BODY
24	DP-81854000	3	PISTON RING DIA. 78 (DP-332)	57	DP-81457450	4	NUT M8 UNI5588
24	DP-81853000	3	PISTON RING DIA. 72 (DP-282)	■58	DP-23004131	1	BALLASTER DIAPHRAGM
25	DP-62001901	3	PISTON SLEEVE (DP-332)	59	DP-11000409	1	BALLASTER COVER
25	DP-62000501	3	PISTON SLEEVE DIA. 72 (DP-282)	60	DP-86275210	4	SCREW M8 X 35 UNI 5931
26	DP-28008568	3	DISK (DP-332)	61	DP-86160850	1	AIR VALVE
26	DP-41005468	3	DISK INOX (DP-282)	■62	DP-80321300	1	O-RING 3, 0 X 6
27	DP-62004551	3	DIAPHRAGM LOCKING BOLT	63	DP-63000661	1	MOUNTING RAIL
28	DP-62002532	3	HEAD	64	DP-86326400	3	SCREW M10 X 25 UNI5931
29	DP-84384450	12	WASHER DIA. 12, 2 X 21 2, 5	■*66	DP-80320600	6	O-RING 2, 62 X 28, 25
30	DP-86406800	12	SCREW M12 X 75 UNI5931	■*67	DP-80321750	3	O-RING 3, 0 X 19
■*□31	DP-80331400	6	O-RING 4, 5 X 40	69	DP-31146832	1	PLAIN SAFETY CONE (OPT)
■32	DP-80318000	1	O-RING 2, 62 X 15, 08				