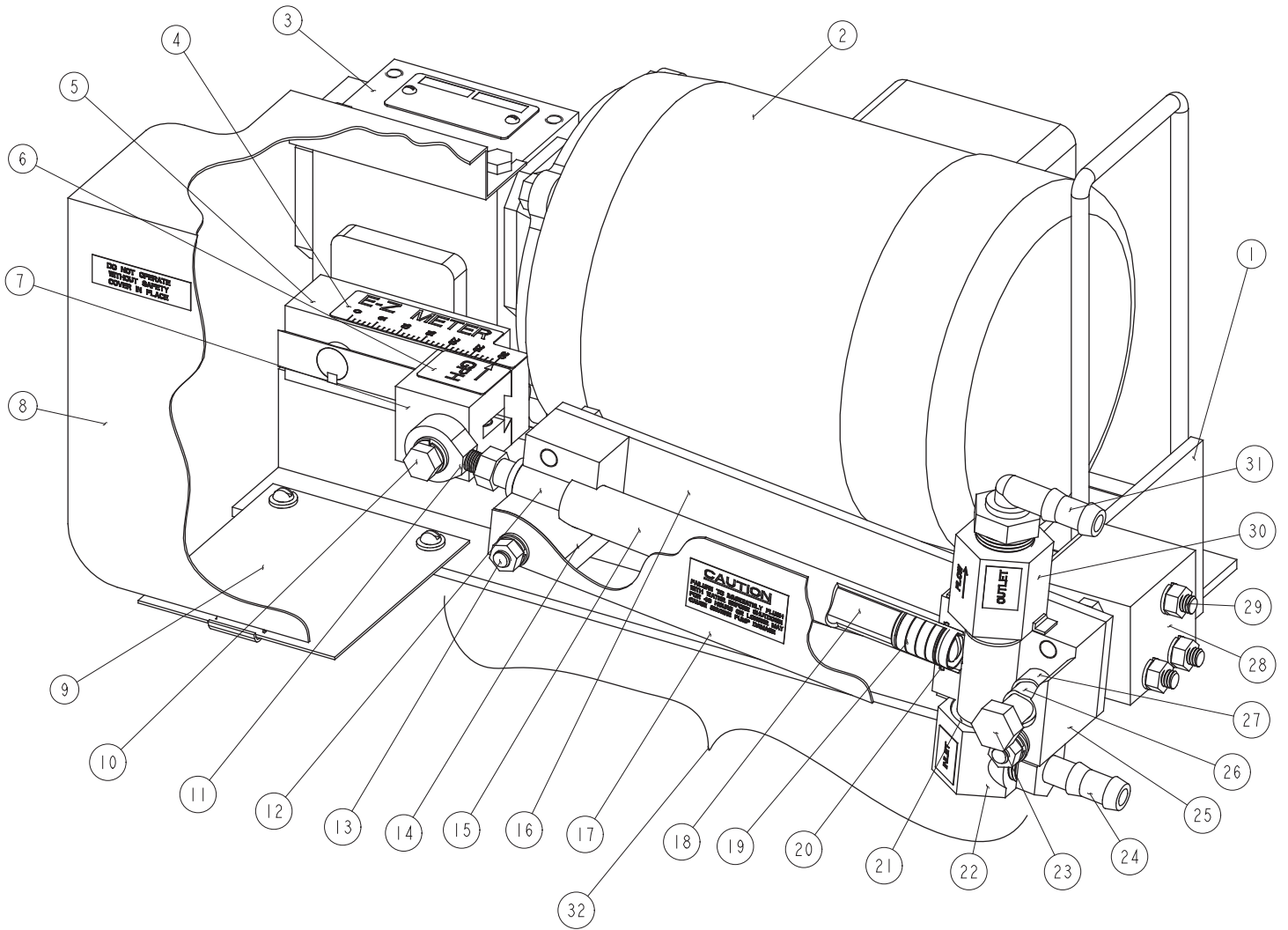


# E-Z METER SERIES 2000 PUMPS

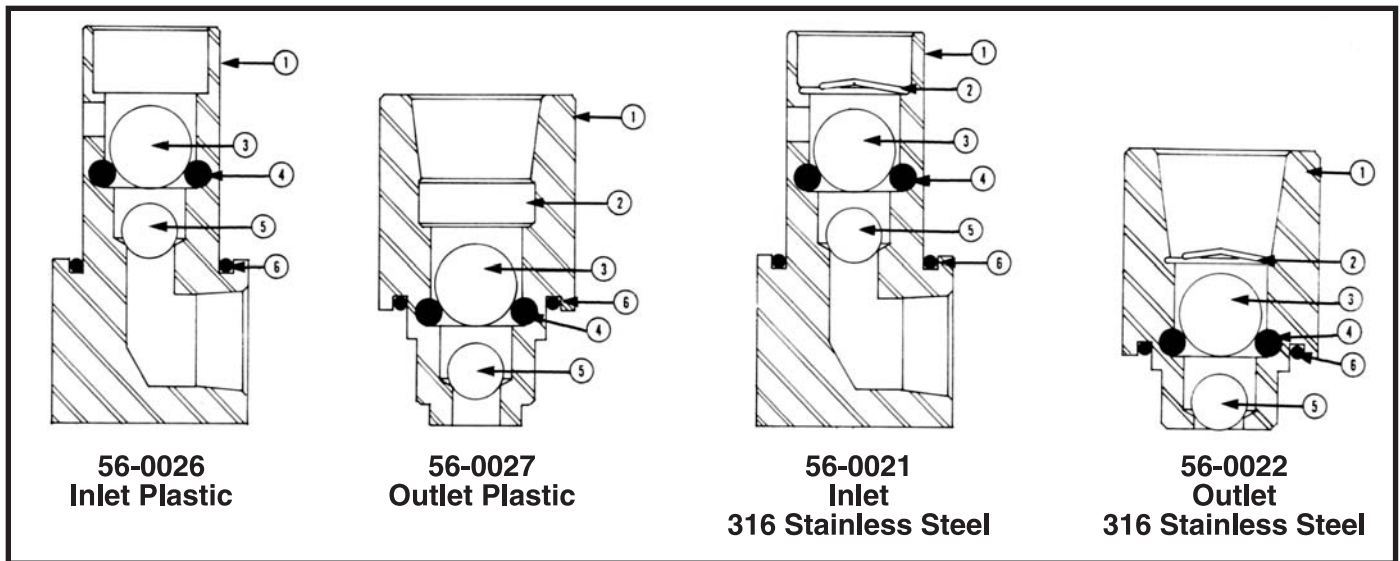


# Parts List

Item #	Description		5-30 GPH	10-100 GPH
1 *	Base Plate	Electric Motor & Belt Drive	52-3001	
		Gasoline Engine	52-5001	
2	Electric Motor	3 Phase - 1/2 Hp	114902-01	
		1 Phase - 1/2 Hp	53-9004	
3 *	Gear Box	Electric Motor	53-9001	
		Belt and Gas Engine	53-9003	
4	Calibration Scale		50-3001	50-1001
5 *	Crank Arm - Less Calibration Scale		50-0002	
6	Calibration Arrow		50-0001	
7	Crank Arm Adjuster - Less Arrow		50-0004	50-0004
8 *	Safety Cover		51-0001	
9 *	Safety Cover Base		51-0002	
10	Crank Bolt, Lock & Flat Washer Hardware		54-0069	54-0069
11	Rod End Bearing		54-9001	54-9001
12	Cylinder Rod Bushing	Stainless Cylinder	54-0031	54-0031
		Teflon Cylinder	54-0031	54-0031
13	Cylinder Mounting Block Hardware	Bolt	54-9009	
		Lock Washer	54-9005	
		Nut	S-3566-2	
14	Cylinder Mount Block w/ Bushing	Stainless Cylinder	54-0023	54-0016
		Teflon Cylinder	54-0023	54-0016
15	Cylinder Tube	Stainless Cylinder	54-0021	54-0020
		Teflon Cylinder	54-0021-S	54-0020-S
16	Cylinder Mounting Plate		54-0063	
17	Front Plate		54-0068	
18	Cylinder Piston Rod		54-0001	54-0001
19	Piston Cup Assembly		54-2001-A	54-3001-A
20	O'ring - Cylinder Seal	Stainless Cylinder	54-9012	54-9011
		Teflon Cylinder	54-9012	54-9011
21	O'ring - Valve Seal		56-9031	
22	Inlet Valve Includes O'ring # 21	Stainless Steel	56-0021	
		Plastic	56-0026	
23	Pivot Bolt		55-9001	
24	Inlet Fitting		56-9020	
25	Cylinder Pivot Block w/ Bushing # 27 & O'ring # 20	Stainless Cylinder	54-0058	54-0059
		Teflon Cylinder	54-0058	54-0059
26	Pivot Bushing		54-0033	
27	Roller Bushing		09-0007	
28	Pivot Mounting Block		55-0003	
29	Pivot Mount Block Hardware	Bolt	54-9009	
		Lock Washer	S-3554	
		Nut	S-3566-2	
30	Outlet valve Includes O'ring # 21	Stainless Steel	56-0022	
		Plastic	56-0027	
31	Outlet Fitting		56-9053	
32	Cylinder Assy. Without Ck Valve Items # 11 thru 20 & 25	Stainless Cylinder	54-2100	54-3100
		Teflon Cylinder	54-2100-1	54-3100-1
	Cylinder Assy. w/ Plastic Ck Valve Items # 11-22, 24-25, & 30-31	Stainless Cylinder	54-2110	54-3110
		Teflon Cylinder	54-2110-1	54-3110-1
Not Shown	Gas Engine Special Components Req' Gas Base and Gearbox	Gas Engine - 4 Hp	53-9013	
		Coupling for Gas Engine	53-9017	
Not Shown	Belt Drive Special Components Req' Belt Base and Gearbox	Belt Drive Mounting Bracket	52-1000	
		Adjustable Pulley - Belt Drive	53-9018	
Not Shown	Duplex Conversion Kit ** Items # 4 thru 31	Stainless Cylinder	50520	50530
		Teflon Cylinder	50520-1	50530-1
*	Pump serial # > 222500 reflects change to standard on items # 1, 3, 5, 8, 9			
**	Duplex Conversion Kits can only be used on serial # > 222500.			

CDS - John Blue technical support is available at:  
[www.cds-johnblue.com](http://www.cds-johnblue.com) or 1-800-253-2583 Mon - Fri, 8am - 5 pm cst

# CDS-John Blue Series 2000 Check Valves



## Parts List

Item #	Description	Plastic Inlet	Plastic Outlet	316 SS Inlet	316 SS Outlet
	Complete Check Valve	56-0026	56-0027	56-0021	56-0022
1	Body	56-0028	56-0029	56-0024	56-0025
2	Retainer Plastic	N/A	56-0030	N/A	N/A
2	Retainer Spring	N/A	N/A	56-0023	56-0023
3	Large Ball	56-9017	56-9017	56-9017	56-9017
4	O-Ring Seal	56-9031	56-9031	56-9031	56-9031
5	Small Ball	56-9007	56-9007	56-9007	56-9007
6	Check Valve Set	56-9052	56-9052	56-9052	56-9052

Designs and specifications change from time to time, CDS-John Blue Company reserves the right to alter or upgrade equipment as necessary. Always make sure you have the most current parts list before ordering replacement parts.