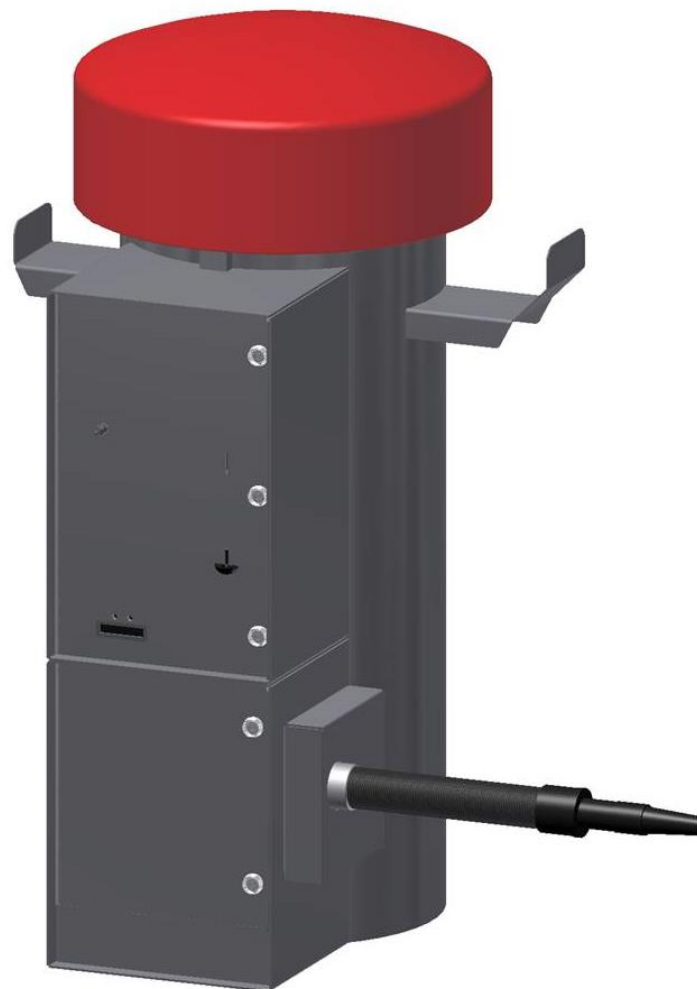




Models- 9215, 9215VR, 9215V, 9215V-VR, 9215LD,  
9215LD-VR, 9215LDV, 9215LDV-VR

Page 2	Product Information
Page 3	Specifications
Page 4	Important Safety Instructions
Page 5	Product Dimensions
Page 6-7	Installation
Page 7-8	Programming
Page 9	Operating Instructions
Page 10-12	Maintenance & Troubleshooting
Page 13-15	Parts List
Page 16	Wiring Diagram



# **PRODUCT INFORMATION**

Please take a moment to fill out the information below in order to aid us with any future sales or service inquiries. Model number and serial number information can be found on the serial tag located inside the control box and/or on the lower exterior of the can. Key number can be found on the tag that comes attached to the keys. There may be more than one key number depending on unit.

Please keep this information with your records.

**MODEL#:** \_\_\_\_\_

**SERIAL#:** \_\_\_\_\_

**KEY NUMBER(S):** \_\_\_\_\_

**DATE PURCHASED:** \_\_\_\_\_

**DISTRIBUTOR:** \_\_\_\_\_

**J.E. Adams Industries  
1025 63rd Ave. S.W.  
Cedar Rapids, IA 52404  
1-800-553-8861  
[www.jeadams.com](http://www.jeadams.com)**

# Specifications

## Unit specifications:

Voltage: 120VAC, 60Hz  
Amperage: (1) 30 amp service is required for this unit  
Weight: 280 lbs with pallet attached

## Vac specifications:

Motors: (3) 120VAC Vacuum motor  
Fuses: (3) 10 amp inline fuses

## Blower specifications:

Motor: (1) Domel/Electro 120VAC  
Fuse: (1) 20 amp inline fuse  
Heater: (1) 1200 watt

Timer: IDX AT-422 "Two-Timer" 120VAC, 25A Max

Duty cycle time 4 minutes on, 4 minutes off.

---

## **INSTALLATION / SAFETY INSTRUCTIONS:**



- 1) Always use a qualified electrical and mechanical personnel for installation and maintenance of equipment.
- 2) Disconnect electrical power before working on the system.
- 3) Make sure the motor is electrically grounded, the mounting bolts are properly secured, and all guards are in place during operation.
- 4) Wear safety glasses and earplugs when working on blower.
- 5) Do not operate blower motor with the outlet open to the atmosphere. Connect system exhaust hose to prevent overloading the motor and damage to the heating element. Check the final installation for proper amp load.
- 6) Keep all tools, loose clothing, and hands away from motor air intake.**
- 7) Inspect the blower at regular intervals for damage or worn parts. Replace parts immediately – never operate a unit with damaged parts.
- 8) Use only genuine OEM replacement parts.

**NOTE: "UNIT INTENDED FOR COMMERCIAL USE ONLY"**

# IMPORTANT SAFETY INSTRUCTIONS

When using an electrical appliance, basic precautions should always be followed, including the following:

## READ ALL INSTRUCTIONS BEFORE USING (THIS APPLIANCE)

### WARNING – To reduce the risk of fire, electric shock, or injury:

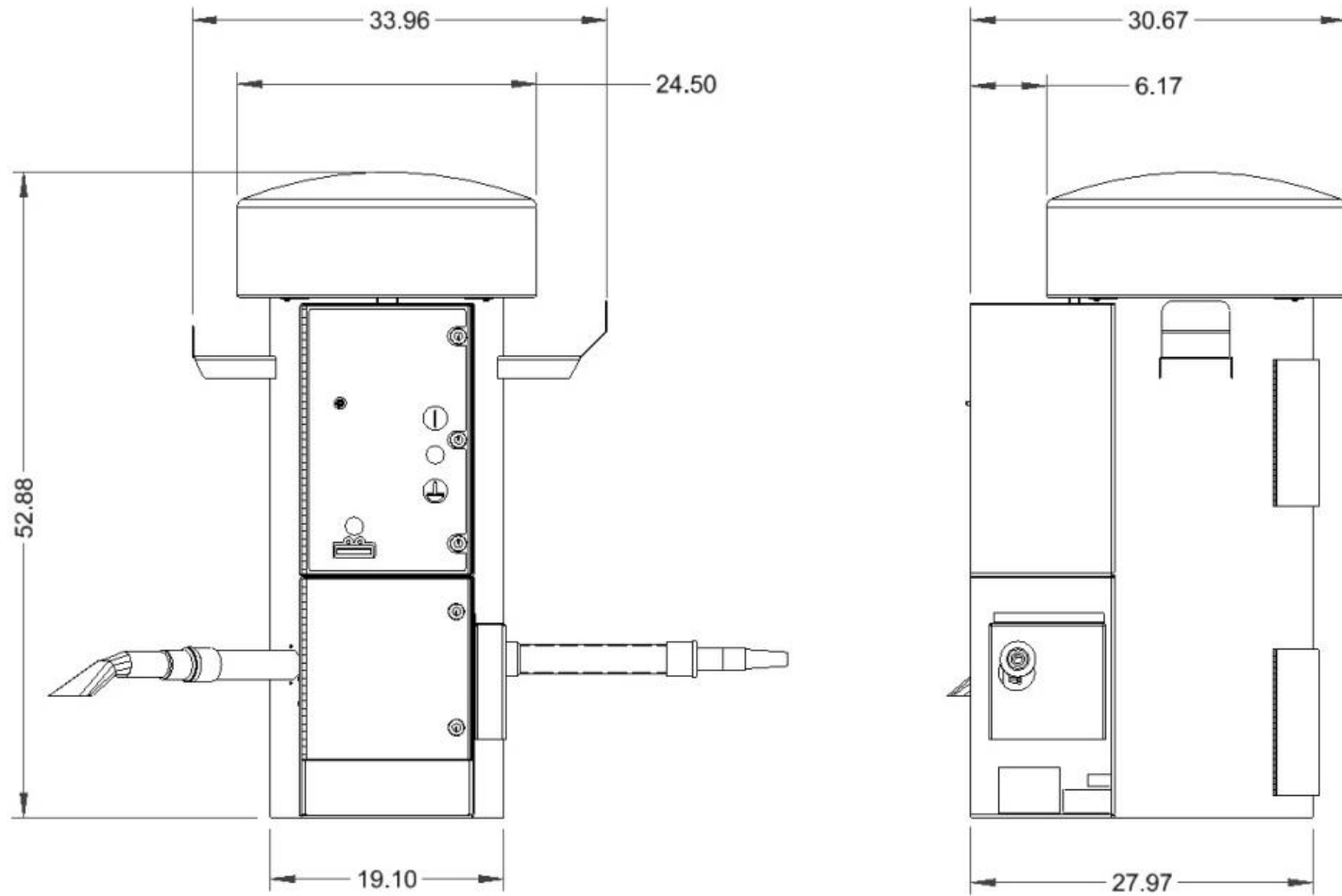
- Do not use on wet surfaces.
- Use only as described in manual. Use only manufactures recommended attachments.
- Do not allow to be used as a toy. Close attention is necessary when used by or near children.
- Do not put any object into openings. Do not use with any opening blocked; keep free of dust, lint, hair and anything that may reduce air flow.
- Keep hair, loose clothing, fingers, and all parts of body away from motor air intake, openings, and all moving parts.
- Do not use to pick up flammable or combustible liquids, such as gasoline, or use in areas where they may be present.
- “Do not pick up anything that is burning or smoking, such as cigarettes, matches, or hot ashes.”
- “Do not use without dust bag and/or filters in place.”
- Use caution when touching the blower motor assembly after use – heater tube can become hot!

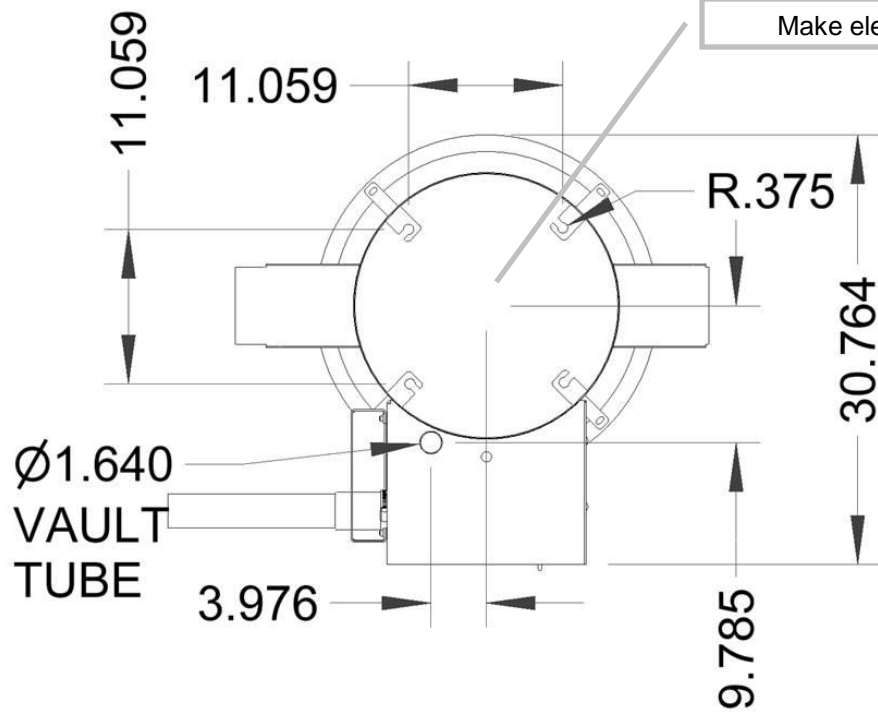


## SAVE THESE INSTRUCTIONS

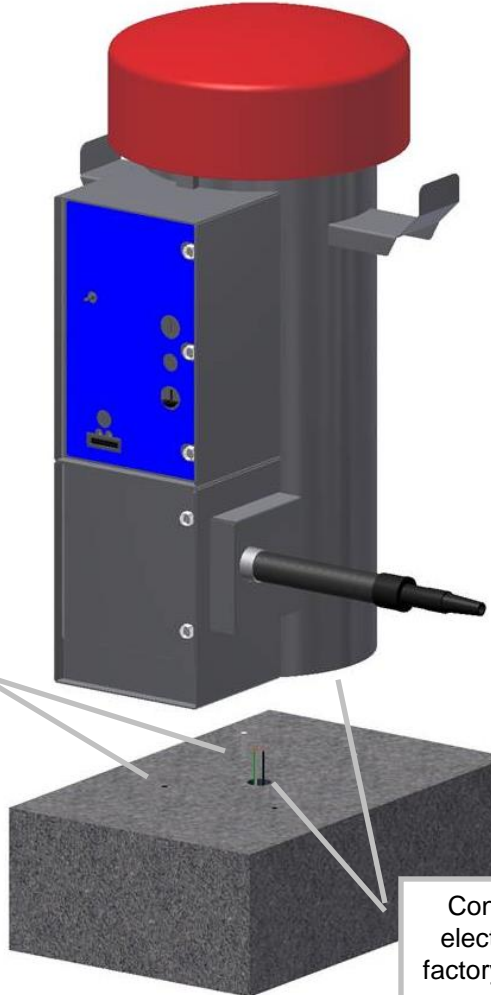
- **Installation Instructions:**
- Determine location to mount unit (“**DANGER**” “**THIS EQUIPMENT INCORPORATES PARTS SUCH AS SWITCHES, MOTORS, OR THE LIKE THAT TEND TO PRODUCE ARCS OR SPARKS THAT CAN CAUSE AN EXPLOSION. WHEN LOCATED IN GASOLINE-DISPENSING AND SERVICE STATIONS INSTALL AND USE AT LEAST 20 FEET (6 M) HORIZONTALLY FROM THE EXTERIOR ENCLOSURE OF ANY DISPENSING PUMP AND AT LEAST 18 INCHES (450 MM) ABOVE A DRIVEWAY OR GROUND LEVEL.**”
- Run electrical service to that location (*NOTE: UNIT HAS WIRE PROVIDED UNDERNEATH TO CONNECT INCOMING POWER SUPPLY*)
- **Grounding Instructions:** This appliance must be connected to a grounded metal, permanent wiring system; or an equipment-grounding conductor must be run with the circuit conductors and connected to the equipment-grounding terminal or lead on the appliance.
- All local and national electric codes must be followed for installation and use.
- Licensed electricians are recommended for installation.

# Product Dimensions





Make electrical connection in this area.



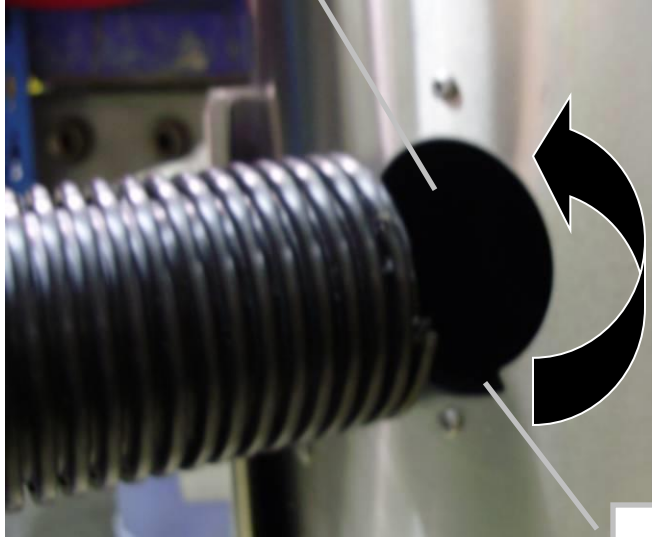
Drill holes into concrete surface and install 3/8" studs (4).

Connect electric to factory wires under vacuum can.

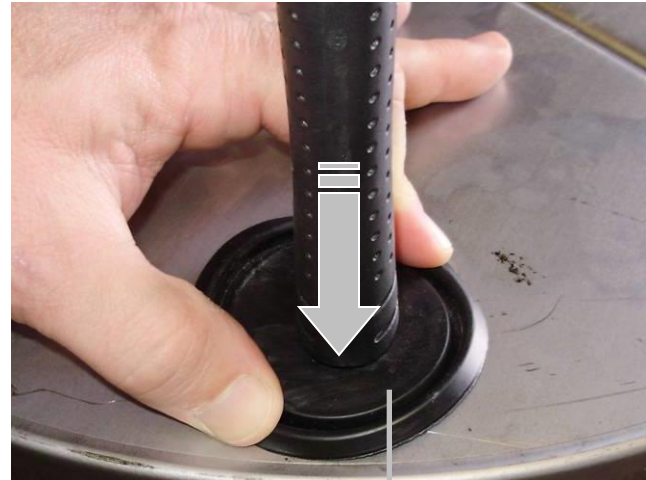
NOTE: when mounting, provide clearance so cleanout doors can open!!

Once unit has been installed use 5871B8 cap plugs (supplied with unit) to seal holes in canister bottom located in lower cleanout door (see illustration on next page). Extra cap plugs are included with the unit in case plug becomes damaged during shipping removal. After cap plugs are installed unit can be turned on.

To attach hose, thread into metal hole counter clockwise.



Edge of hose will need to start here.



To insert 5871B8 cap plugs into bottom holes, pinch cap plug into place using index finger and thumb. With edges of plug resting against edges of hole, firmly push down on plug with end of hammer or other blunt object until plug snaps into place.

## Programming Instructions:

### **Coin acceptor:**

No programming to acceptor needed if unit was purchased with the standard Imonex Z32 electronic acceptor (8149-92 our part number) is pre-programmed to accept US quarters, .984 tokens, US \$1 coin and 1.073 token. Acceptor is pre-programmed before it is sent to J.E. Adams.

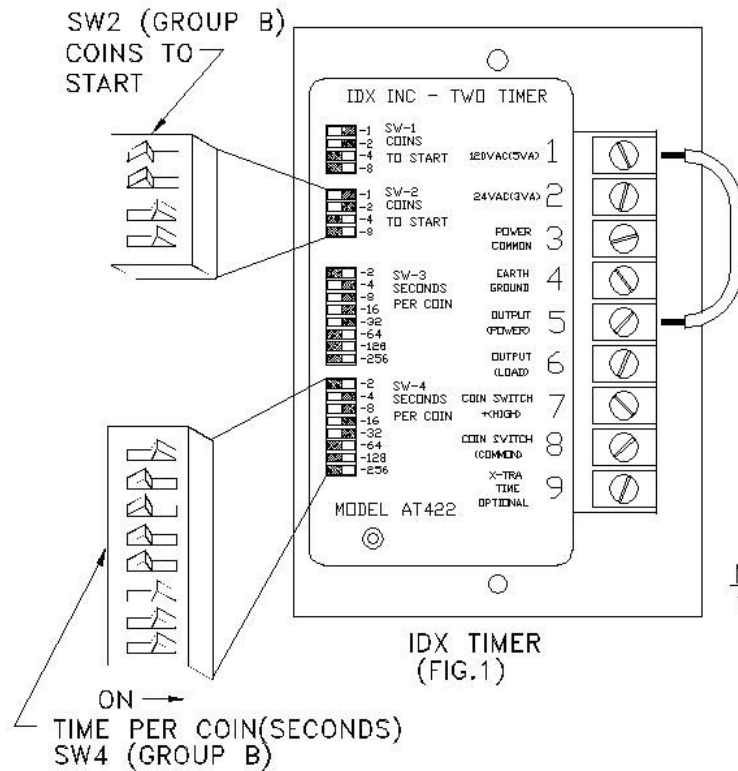
If different acceptor was purchased, see additional literature sent along with unit for programming info.

### **Bill acceptor:**

Bill acceptor comes pre programmed from J.E. Adams and should not require any changes. If additional programming is needed to acceptors please refer to additional literature sent along with this unit.

## Timer programming:

The 9215 series are available only with the IDX AT422 Series "Two-Timer." The AT422 has a built in feature of two "coins to start" settings, plus two "time per coin" settings. For example, a location could program the vacuum feature for \$.75 for 4 minutes and the air dryer for \$1.25 for 4 minutes. If the end user would begin using the vacuum feature and later switch to the air dryer function, the IDX AT422 would automatically recalculate the remaining time to the higher priced feature.



### FEATURES:

- WILL CALCULATE THE REMAINING TIME DIFFERENCE INSTANTLY, SWITCHING FROM TIMER 1 (GROUP A) TO TIMER 2 (GROUP B).
- 1 TO 15 COINS TO START (SWITCH GROUP A & GROUP B).
- ACCUMULATES TIME PER COIN (FOR BOTH GROUPS A & B).
- SELECT GROUP A OR B BY USING TOGGLE SWITCH ON FACEPLATE.
- SELECT COIN TIME FROM 2 SECONDS TO 8.5 MINUTES PER COIN.
- SWITCH 1 & 3 ARE GROUP A.
- SWITCH 2 & 4 ARE GROUP B.

### NOTE:

- 1) IDX TIMERS ARE ACCUMULATING TIMERS, MEANING THAT DURING TIMING PERIOD TIME CAN BE EXTENDED PROPORTIONALLY BY ADDING MORE COINS.



### **Operating Instructions:**

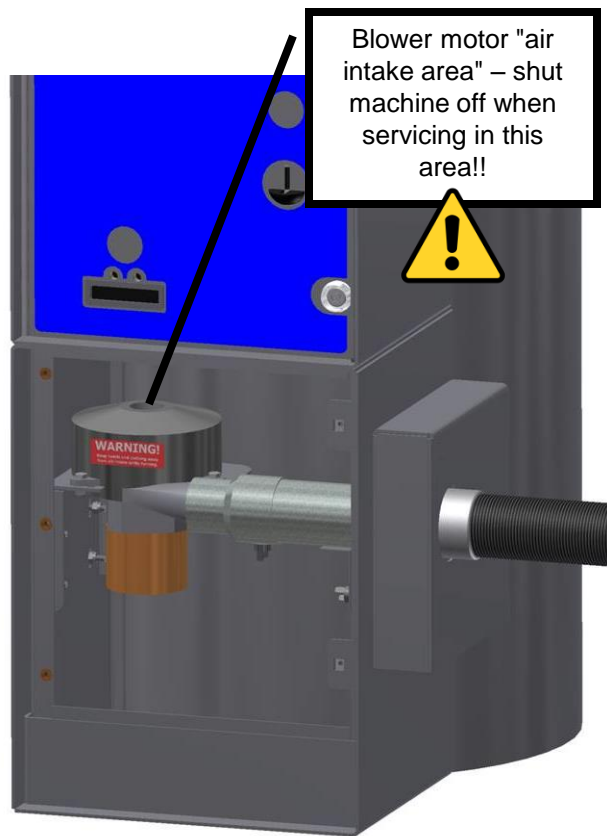
- Read all instructions before operating.
- Select desired function via selection (toggle) switch.
- Insert coins or bills to start desired function.
- If other function is selected other than original selected item, unit will recalculate timer based on the amount of money it takes to operate the other function.
- If using air blower, for best results start at the top of the vehicle and work water downward.
- Once service is used, hang up hose(s).

### **End user operating instructions:**

- 1) Use only for vehicle detailing.
- 2) Do not permit children to operate this unit.
- 3) Close supervision is necessary when using near children or those who need assistance.
- 4) Always hold onto nozzle tightly while in use.
- 5) Never leave unattended while in use.
- 6) Do not allow nozzle to come in contact with skin.
- 7) Never point air stream at others or self.
- 6) Allow a six inch minimum between nozzle and object to dry.
- 7) Use caution when directing air stream into tight crevices such as headlight assemblies, mirrors, dashboard, carpeting, etc.
- 8) Never blow debris in the direction of others.



## Servicing and maintenance



Blower motor "air intake area" – shut machine off when servicing in this area!!



External air intake area – make sure this area does not become obstructed – check internal vents periodically to make sure debris has not built up.

## Maintenance:

- **All servicing of machine should be conducted by an authorized service representative!**
- Filter bags should be accessed and shaken down weekly. It is recommended to keep a new set of bags on hand so that once every few months the bags can be replaced and then laundered.
- To maintain performance, empty dirt bin from the canister on a regular basis.
- Periodically inspect wires and connections for wear or fatigue.
- Check vac & blower hose for cracks on a weekly basis.
- If blower hose needs repair, threaded joints must be fastened using JB Weld epoxy. Hose clamp will need retightened after hose couplers get to full operating temperature (more pliable couplers allow clamp to seat).
- Clean canister with a stainless steel cleaner as needed. Decals can be cleaned with mild soap and water.
- Check motor brushes approx. every 2-3 months for excessive wear. Motor brushes should be changed if they are shorter than ¼". Failure to do this can cause damage to the motor. **!Please disconnect power before doing this!**



**DISCONNECT POWER BEFORE SERVICING OR TROUBLESHOOTING!**



## Troubleshooting:

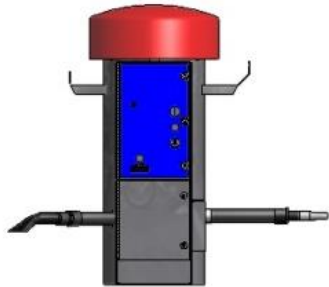
Problem	Possible cause	Solution
Unit is not powered.	Breaker inside unit is not in the on position.	Flip breaker on.
	No power to machine.	Check incoming power.
	Loose connection.	Check incoming power connection.
Machine is behaving erratically.	Is the incoming power at 120V?	Check voltage and monitor while machine runs. Low voltage can cause erratic behavior.
	Are any of the machines wires worn through or connections not making contact?	Inspect wiring and connections. Look for sharp bends in wires and places where wire is against the metal chassis.



Unit keeps tripping breaker.	Inadequate wire size ran to machine.	Call electrician and install proper wire size for 30amp service versus length or run.
	Wrong size breaker.	Install correct breaker (only if wire size is adequate to handle 30 amp breaker).
Fuses for vac motors keep blowing.	Inadequate wire size ran to machine.	Call electrician and install proper wire size for 30amp service versus length or run.
	Motor brushes may be bad or too short.	Replace motor brushes.
Lack of vacuum suction.	Vac hose clogged?	Clean debris from vac hose.
	Filter bags need cleaned or dirt chamber needs emptied?	Shake or clean filter bags or replace and empty lower dirt chamber.
	Vac hose is split?	Replace/repair vac hose.
	Cleanout door gaskets torn or worn?	Replace gaskets.
	Vac motor gaskets are worn or motor is not tight against.	Inspect/replace gaskets and assure motor is tight against them.
	Lower chamber cap plugs/mounting hole covers have popped out?	Open lower chamber and inspect plugs, order new if needed.
	Cleanout door gaskets torn or worn?	Replace gaskets.
	One of the vac motors is not working?	Check line motor fuse and replace. Replace motor if necessary.
Blower motor will not come on.	Motor brushes may be bad or too short.	Replace brushes with matching brushes - (Domel for Domel, Electro for Electro).
Blower heater will not come on.	Heater is controlled by 85 degree ambient air temperature thermostat. Heater will not come on if temperature is near this point or if unit has been ran and is warmed up.	No action required unless ambient air temperature is below 70 degrees and unit hasn't ran for a while. If so, unit may need serviced.

***DISCONNECT POWER BEFORE SERVICING OR TROUBLESHOOTING!***

PART NO. 9215LDV



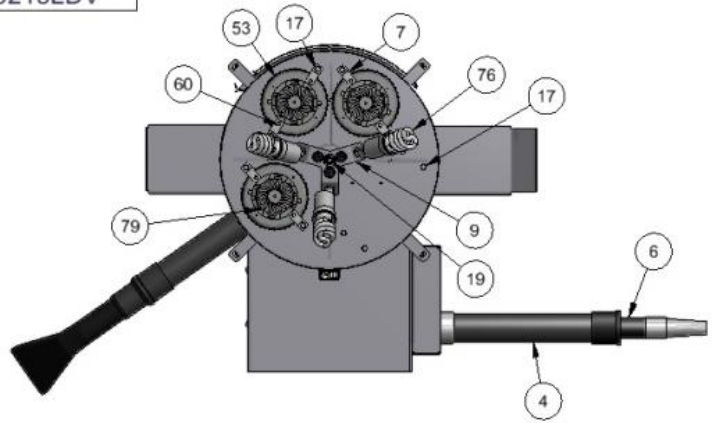
BILL OF MATERIALS				BILL OF MATERIALS			
ITEM	PART NUMBER	DESCRIPTION	QTY	ITEM	PART NUMBER	DESCRIPTION	QTY
43	5943B3229	WIRE, 18G WHITE	75"	1	1034	WARNING LABEL, AIR BLOWER	1
44	5943D3220	WIRE, 14G BLACK	42"	2	1079-4	.062 X .75 FOAM TAPE, ADHESIVE 1 SIDE	25"
45	5943F3220	WIRE, 10G BLACK	165"	3	2036	HOSE, 2" X 15' BLACK VACUUM	1
46	5943F3225	WIRE, 10G GREEN	68"	4	2036-2	HOSE, 2" X 30' BLACK HIGH HEAT	1
47	5943F3229	WIRE, 10G WHITE	136"	5	2058	CLAW/CUFF ASSEMBLY, 2"	1
48	5979D1	FUSE 20AMP	1	6	2058-5	TURBO TOWEL NOZZLE	1
49	8000-21	WAGO CONN, 2 POLE FEMALE	3	7	28000-36	MOTOR MOUNT	6
50	8000-22	WAGO CONN, 2 POLE MALE	3	8	29000-14A-1	DOOR ASSEMBLY, BOTTOM, PLUG LOCK	1
51	8000-25	WAGO WALLNUT, 4 LOC	4	9	29000-30A	LIGHT BRACKET ASSEMBLY	1
52	8036	NUT, 1/4-20 UNC KEPS	3	10	29000-44W	VALIDATOR BOX WELDMENT	1
53	8055EM	MOTOR, ELECTRO 115V	3	11	29000-45W	VALIDATOR FACEPLATE WELDMENT	1
54	8057	MOTOR GASKET	3	12	29000-47W	COIN BOX ENCLOSURE WELDMENT	1
55	8061-720-6	BRACKET, VAC MOTOR	1	13	29000-52W	COIN BOX WELDMENT	1
56	8061-720-7W	HOSE COVER/GUARD WELDMENT	1	14	29000-59	VALIDATOR FACEPLATE HANDLE	1
57	8061A	TURBO TOWEL ASSY	1	15	29050-1W	CANISTER WELD COMPLETE, PLUG LOCK	1
58	8076	FILTER BAG	4	16	5600D4	HEX HEAD BOLT 3/8-16 X 1.5"	4
59	8106	FORK TERMINAL, INSULATED YELLOW	3	17	5601D1	1/4-20 x 1/2 HHCS-ZINC PLATED	17
60	8108	#10 x 1/2 TAP SCREW	6	18	5601D4	1/4-20 x 3/4 HHCS-SS	3
61	8113	FORK TERMINAL, INSULATED BLUE	2	19	5603D11	1/2 Std NF Nylock Nut	2
62	8130-6	MEI MARS, 110V BILL VALIDATOR	1	20	5603D2	1/4 Std NC Nylock Nut	12
63	8153-1	LATCH, CLEANOUT DOOR	4	21	5603D5	1/4 Std NC Nylock Nut	8
64	8157	NUT, #6-32 KEPP NUT STAINLESS	2	22	5603D9	Nut NYLOCK, #10-32	2
65	8159	DOOR GASKET	2	23	5606D10	WASHER, FLAT 1/2 SAE	2
66	8183	DECAL, POWER DICSONNECT	2	24	5606D22	FENDER WASHER 3/8	8
67	8306	24" PLASTIC DOME	1	25	5621D1	3/8 LOCK WASHER	4
68	8437D001	ETL DECAL, VACUUM	1	26	5622D3	3/8-16 x .75 HEX HEAD	4
69	8615-5W	CLEANOUT DOOR WELDMENT	2	27	5636D1	#10-24 PHIL. PAN HEAD SCREW	2
70	8630	CARDBOARD BOX	1	28	5639D1	RUBBER GROMMET	2
72	8732	NAMEPLATE SERIAL TAG, UL	1	30	5644D1	CAGE NUT 5/16-18	2
73	8754	DECAL, DANGER, TRI-LING	1	31	5647D2	RIVET 1/8"	16
74	8761-110	RELAY, 3PDT-120VAC-20A@1HP	1	32	5647D8	RIVET 3/16	14
75	8833-30A	FUSE HOLDER, 30AMP	1	33	5721D1	HEAT SHRINK TUBING, .5" DIA	1.5"
76	8925	FLOURESCENT BULB	3	34	5871b8	PLUG, VAC BOTTOM 2-1/2"	8
77	8939	PALLET	1	35	5900D1	TERM, F SPADE, 1/4, 16-14 AWG, INS.	4
78	8958-1	MEDECO SCREW LOCK	2	36	5900D3	TERM, F SPADE, 1/4, 12-10 AWG, INS.	2
79	8055LEAD-EM	WIRE LEAD, EM VAC MOTOR	6	37	5901D1	WIRE NUT, YELLOW	2
80	9215-250A	CONTROL PANEL ASSEMBLY W/IDX 8712X2	1	38	5901D2	WIRE NUT, RED	4
81	9215-8A	DOOR ASY-AIR DRYER, VAC, VAL, PLUG LOCKS	1	39	5943B3220	WIRE, 18G BLACK	51"
				40	5943B3222	WIRE, 18G RED	22"
82	9215B-KIT	DECAL KIT	1	41	5943B3224	WIRE, 18G YELLOW	12"
83	B5722-002	HEX LOCKNUT 3/8-16	4	42	5943B3226	WIRE, 18G BLUE	22"
84	5601D13	SCR, 1/4-20x1/2 PPHSqConeStepZP	4				
85	9500-56	CABLE ASY, BILL ACCEPTOR, 30" EXT.	1				
86	29000-ALLEN	3/8 ALLEN, 29000 PLUG LOCK SCREW	1				

D	7754	29000-14A-1 WAS -14W, 29050-1W WAS 29025-1W-1, 9215-8A WAS -7A, REMOVED 5644D1, B5996-010, B5997-001, 8659-24, 8958-2, ADD 8055LEAD-EM, 9500-56	5/17/16	MWS	TITLE	TURBO VAC, W/AIR BLOWER, VAL, SCREW LOCK							
C	7537	ADD 1034 DECAL	073115	JF	UNSPECIFIED TOLERANCES	<table border="1"> <tr><td>1 PL ±.030</td></tr> <tr><td>2 PL ±.020</td></tr> <tr><td>3 PL ±.003</td></tr> <tr><td>ANGLE ±1°</td></tr> </table>				1 PL ±.030	2 PL ±.020	3 PL ±.003	ANGLE ±1°
1 PL ±.030													
2 PL ±.020													
3 PL ±.003													
ANGLE ±1°													
B	6905	ADD ETL, NAMEPLATE, & WARNING DECAL	031612	JF	MATERIAL	<table border="1"> <tr><td>BY JOHN FETTERS</td></tr> <tr><td>DATE 9/9/2009</td></tr> <tr><td>SCALE</td></tr> <tr><td>SHEET 1 / 3</td></tr> </table>				BY JOHN FETTERS	DATE 9/9/2009	SCALE	SHEET 1 / 3
BY JOHN FETTERS													
DATE 9/9/2009													
SCALE													
SHEET 1 / 3													
A	6693	ADD RELAY AND MATERIALS FOR TT LOAD	112811	JF									
REV	NO.	DESCRIPTION	DATE	BY	<table border="1"> <tr><td>PART NO. 9215LDV</td></tr> <tr><td>REV. D</td></tr> </table>					PART NO. 9215LDV	REV. D		
PART NO. 9215LDV													
REV. D													

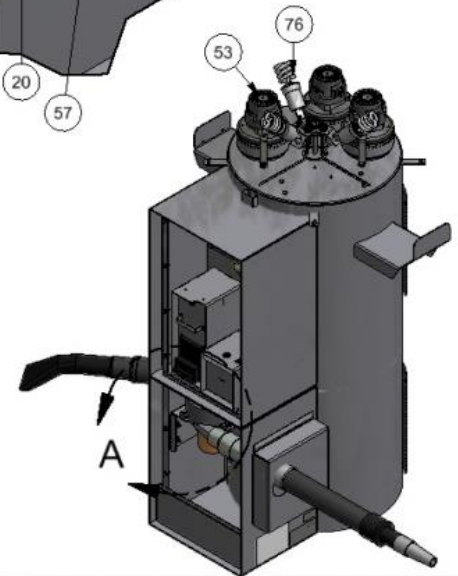
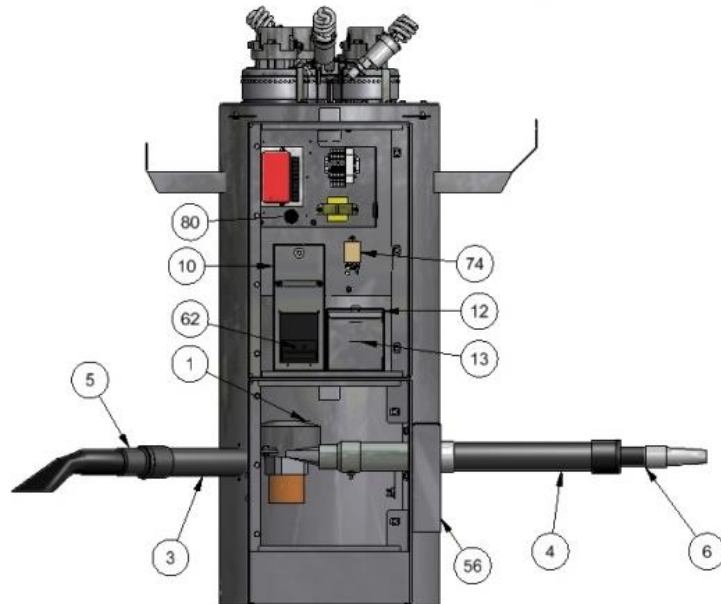
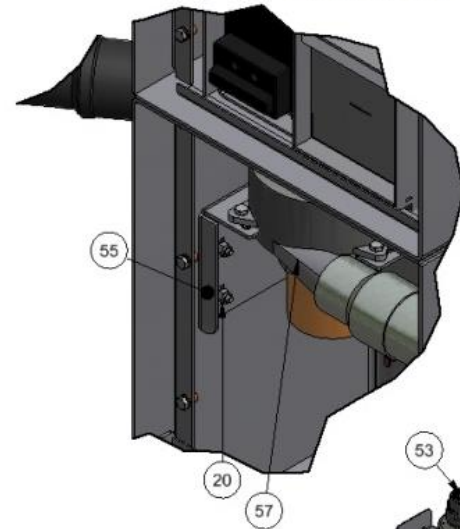
THIS DOCUMENT SHALL NOT BE REPRODUCED NOR SHALL THE INFORMATION THEREIN BE USED BY OR DISCLOSED TO OTHERS EXCEPT AS AUTHORIZED BY J.E. ADAMS INDUSTRIES

FIG. NO.

9215LDV



DETAIL A  
SCALE .1875

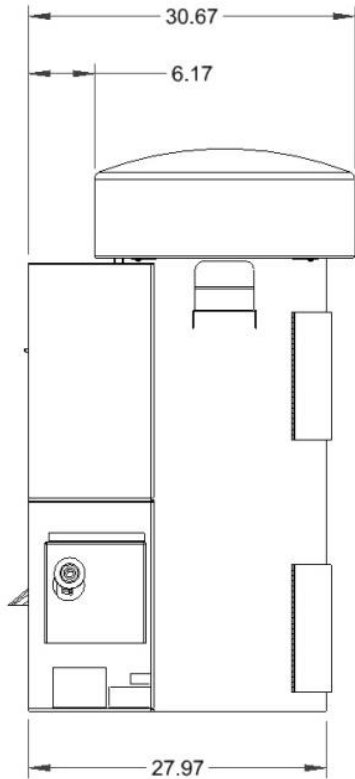
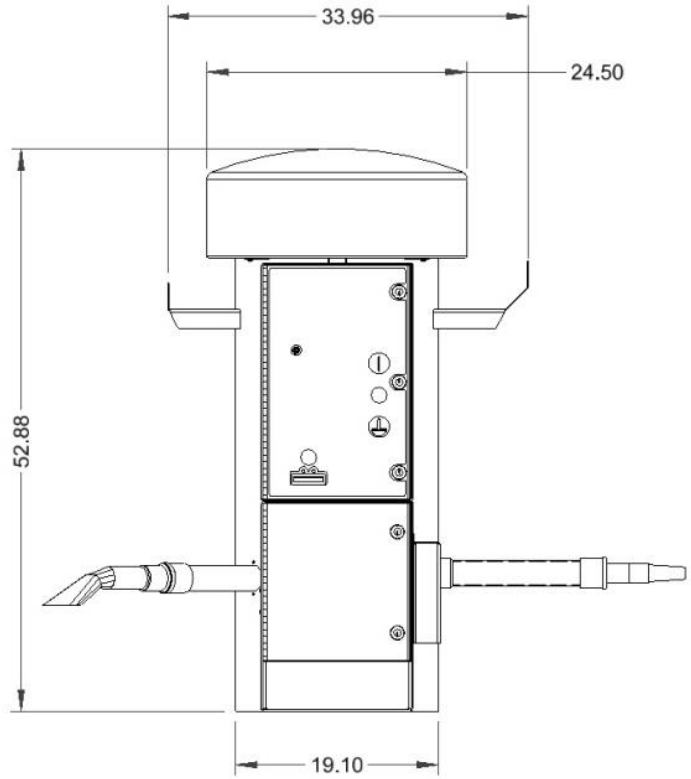


TITLE		TURBO VAC. W/AIR BLOWER, VAL, SCREW LOCK	
UNSPECIFIED TOLERANCES	MATERIAL	DESIGNED BY	JOHN FETTERS
1 PL ±.030		DATE	9/9/2009
2 PL ±.020		SCALE	
3 PL ±.003		SHEET	2 / 3
ANGLE ± 1°		FIG. NO.	9215LDV
		REV.	D

REV	NO.	DESCRIPTION	DATE	BY
THIS DOCUMENT SHALL NOT BE REPRODUCED NOR SHALL THE INFORMATION THEREIN BE USED BY OR DISCLOSED TO OTHERS EXCEPT AS AUTHORIZED BY J.E. ADAMS INDUSTRIES				



Part NO 9215LDV



TITLE: TURBO VAC, W/AIR BLOWER, VAL, SCREW LOCK			
MATERIAL: UNSPECIFIED			
TOLERANCES: 1 PL ± .030			
2 PL ± .020			
3 PL ± .003			
ANGLE ± 1°			
SCALE:	SHEET: 3 / 3	DATE: 9/9/2009	BY: JOHN FETTERS
PART NO: 9215LDV		REV: D	

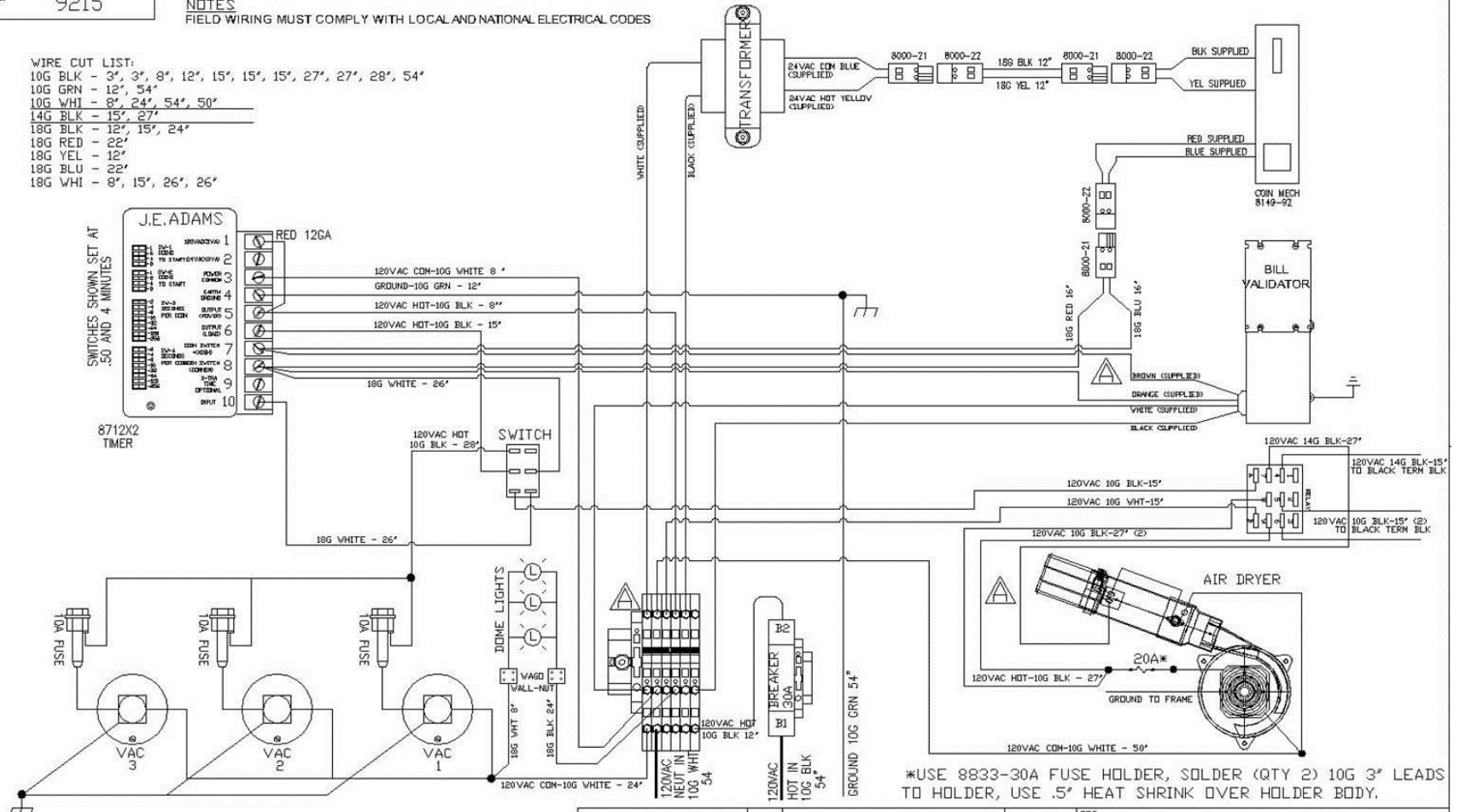
REV	NO.	DESCRIPTION	DATE	BY
THIS DOCUMENT SHALL NOT BE REPRODUCED NOR SHALL THE INFORMATION THEREIN BE USED BY OR DISCLOSED TO OTHERS EXCEPT AS AUTHORIZED BY J.E. ADAMS INDUSTRIES				



PART NO. 9215

NOTES  
FIELD WIRING MUST COMPLY WITH LOCAL AND NATIONAL ELECTRICAL CODES

- WIRE CUT LIST:  
 10G BLK - 3', 3', 8', 12', 15', 15', 27', 27', 28', 54'  
 10G GRN - 12', 54'  
 10G WHI - 8', 24', 54', 50'  
 14G BLK - 15', 27'  
 18G BLK - 12', 15', 24'  
 18G RED - 22'  
 18G YEL - 12'  
 18G BLU - 22'  
 18G WHI - 8', 15', 26', 26'



\*USE 8833-30A FUSE HOLDER, SOLDER (QTY 2) 10G 3" LEADS TO HOLDER, USE .5" HEAT SHRINK OVER HOLDER BODY.

THIS DOCUMENT SHALL NOT BE REPRODUCED NOR SHALL THE INFORMATION THEREIN BE USED BY OR DISCLOSED TO OTHERS EXCEPT AS AUTHORIZED BY J.E. ADAMS INDUSTRIES

PART NO. 9215	CEDAR RAPIDS, IOWA	UNSPECIFIED TOLERANCES FRACT. ±1/32 2 PL ±.020 3 PL ±.010 ANGLE ±1.0°	TITLE TURBO TOWEL/VAC W/IDX 2 TIMER			
			DRAWN BY JF	DATE 090909	SCALE NONE	REL. FOR PROD.
REV. NO.	DESCRIPTION	DATE	BY	PART NO. 9215	REV. LEVEL A	