



A WILO COMPANY

MOTORPUMP™ — 3500 RPM

60 HERTZ, 2.50 X 1.50 FLG

325

JM

D325JM21

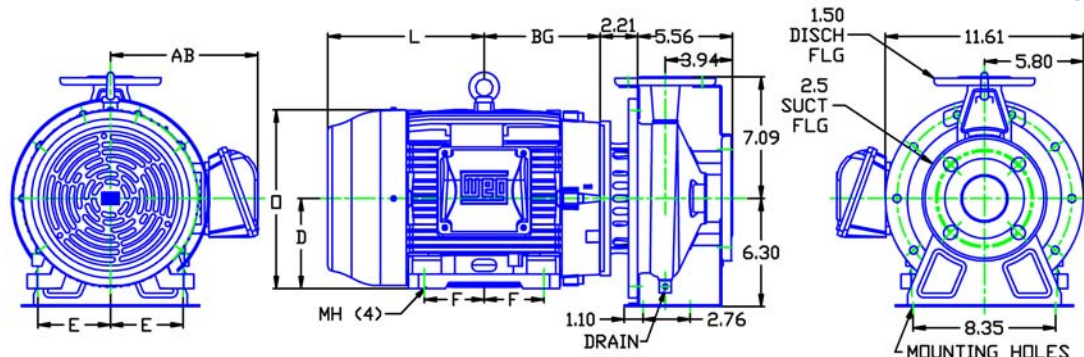
DRAWING DEPICTS 21JM 15HP TEFC MOTOR

MOTOR DIMENSIONS

NEMA PREMIUM EFFICIENT JM FRAME 3 PHASE 3500 RPM

HP	Type	Frame	D	E	F	O	AB	BG	L	MH
10	ODP	JM213	5.25	4.25	2.75	10.03	7.92	7.00	6.94	0.43
15	ODP	JM215	5.25	4.25	3.50	10.03	7.92	7.75	6.19	0.43
* 20	ODP	TCZ254	6.25	5.00	4.13	12.00	9.49	8.88	8.81	0.53
10,15	TEFC	JM215	5.25	4.25	3.50	10.37	8.19	6.77	9.16	0.41
* 20	TEFC	TCZ254	6.25	5.00	4.13	12.88	10.04	8.88	10.91	0.53

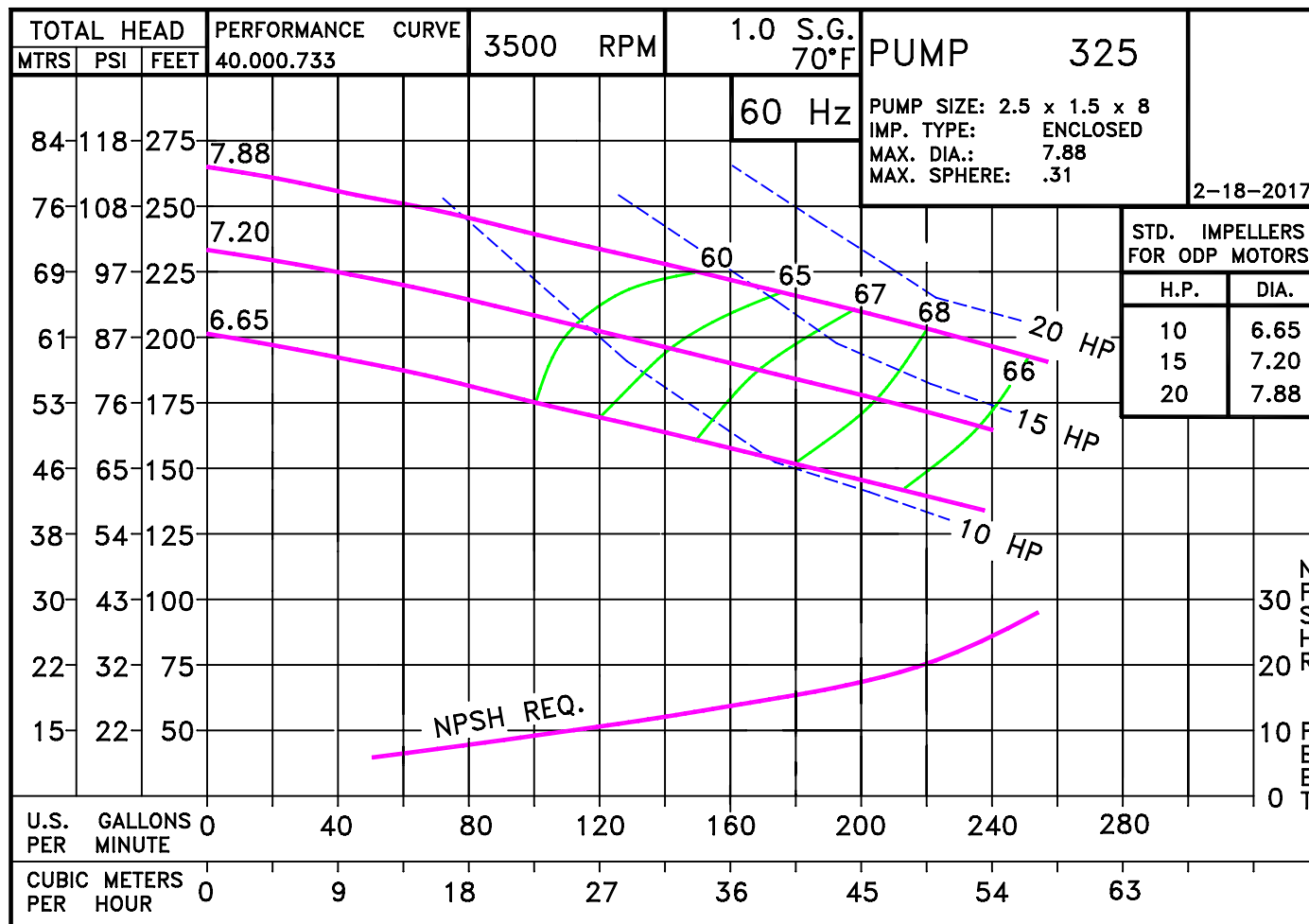
* 215JM Shaft



ALL DIMENSIONS IN INCHES.

DRAWING REPRESENTS APPROXIMATE PUMP DIMENSIONS. ATOCAD DRAWING TO SCALE AVAILABLE FROM FACTORY.

PUMP TO BE
INSTALLED ONLY IN
THE HORIZONTAL
POSITION AS
SHOWN.



32520TE

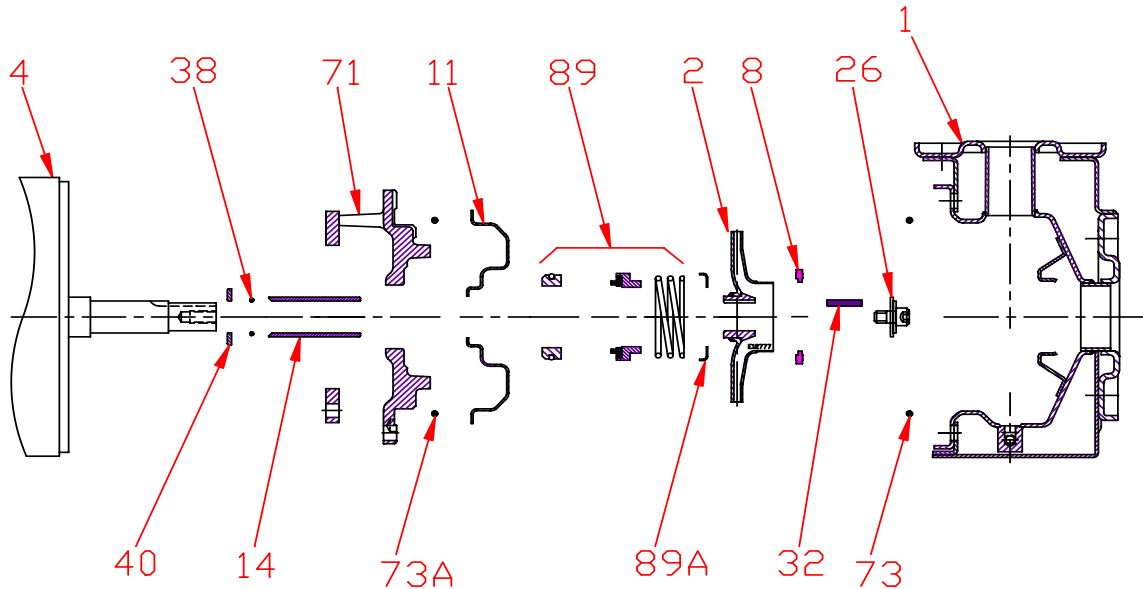
D325JM21
3253500

325

JM

3253500JM
81.002.206 E17

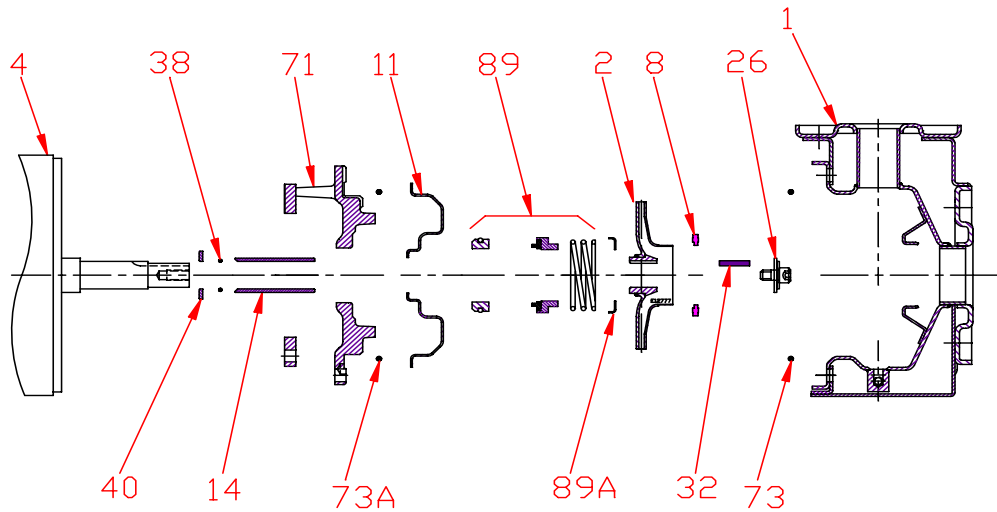
Pump 325 • 304SS • JM Frame • 3500 RPM



KEY NO.	PART NAME	PUMP 325
1	CASE, 304SS, 2.5 x 1.5, FLG	137.002.977
2	IMPELLER, STAINLESS, ENCLOSED, 7/8" KEYED:	
	6.65" DIA	137.002.970
	7.20" DIA	137.002.937
	7.88" DIA	137.002.938
4	MOTOR, JM210	See Chart
	MOTOR, TCZ250	See Chart
8	RING	137.002.929
11	COVER, 304SS	137.002.919
14*	SHAFT SLEEVE, 304SS	137.002.904
26*	IMPELLER RETAINER, 304SS	118.000.111A
32*	KEY, 303SS	102.000.102
38*	O-RING, SHAFT, BUNA	116.000.117
40*	FLINGER, 304SS	104.000.165
71	ADAPTER, IRON, JM210/250	137.002.926
73*	GASKET, CASE, BUNA	137.002.922
73A*	GASKET, COVER, BUNA	137.003.013
89*	1-1/4" SEALS	
	TYPE 21, BN-CARB/CM	137.002.949
	TYPE 21, VN-CARB/CM	137.002.950
	TYPE 21, VN-CARB/SIL	137.002.952
	TYPE 21, VN-SIL/SIL	137.002.953
	TYPE 21, EPDM-CARB/SIL	137.002.951
89A	SEAL RETAINER, STAINLESS	137.002.948
--	REPAIR KITS:	
	BN-CARB/CM SEAL	118.000.675
	VN-CARB/CM SEAL	118.000.675A
	VN-CARB/SIL SEAL	118.000.675D
	VN-SIL/SIL SEAL	118.000.675B
	EPDM-CARB/SIL SEAL	118.000.675C

* DENOTES COMPONENTS INCLUDED IN REPAIR KIT.

Pump 325 • 304SS • JM Frame • 3500 RPM



CONSTRUCTION OPTIONS		
KEY	PART NAME	STANDARD FITTED
1	Case	304SS
2	Impeller	304SS
8	Impeller Ring	POLYPHENYLENE OXIDE 20% GLASS
11	Cover	304SS
14	Sleeve	304SS
26	Retainer Assembly	304SS
32	Key	303SS
38	O-ring, Shaft	BUNA
40	Flinger	304SS
71	Motor Disc	Cast Iron
73	Gasket, Case	Buna
73A	Gasket, Cover	Buna
89	Seal Assembly	BN-CARB/CM
89A	Seal Retainer	304SS

E320JM

B17

C3253500JM