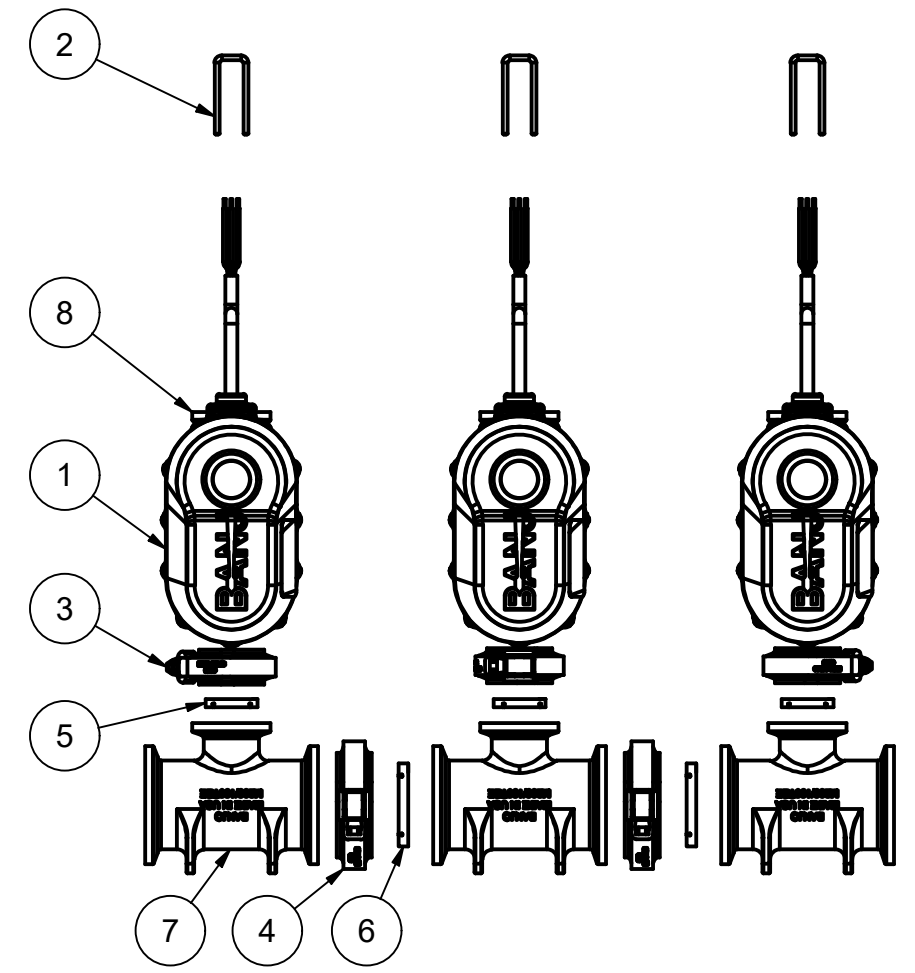


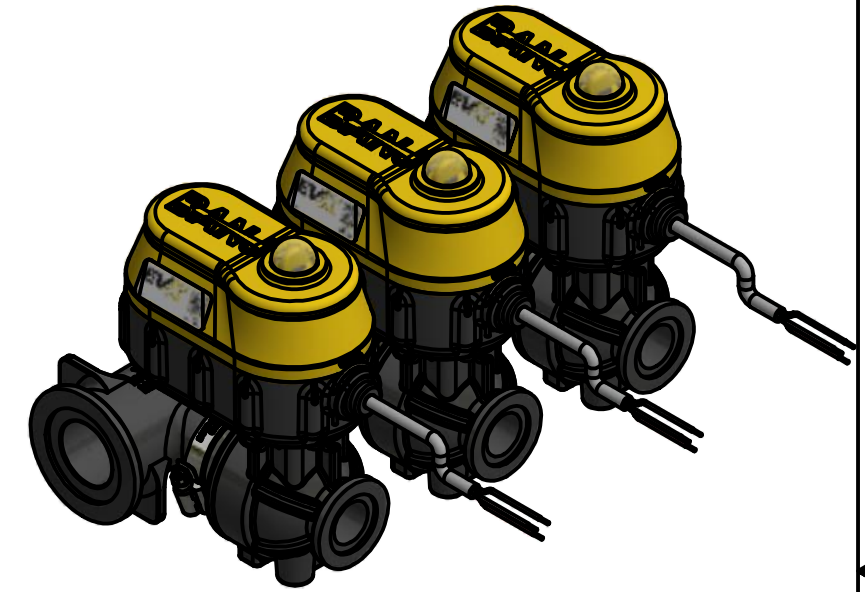
WIRING:
 RED = +12VDC
 BLACK = GND
 WHITE = +12VDC (OPEN), 0VDC (CLOSE)

WIRE LENGTH: 18" ± 1"

GAP DISTANCE BETWEEN
 BOTTOM OF TEE AND
 BOTTOM OF VALVE




Parts List			
ITEM	QTY	PART NUMBER	DESCRIPTION
1	3	EP21A10310	EVX ACT 0.75S WWC 3W
2	3	EVP20001	EV U-PIN
3	3	FC100	1" HI TORQUE CLAMP
4	2	FC200	2" HI TORQUE CLAMP
5	3	M101G	1" Manifold Gasket w/ Rib
6	2	M201G	2" Manifold Gasket w/ Rib
7	3	M200100TEE	2" Manifold Tee w/ 1" Side Port
8	3	MEVX100HX	MEVX 1"FP STUBBY VALVE ONLY



THIS DRAWING AND ALL INFORMATION CONTAINED THEREON ARE THE EXCLUSIVE PROPERTY OF BANJO CORPORATION.

UNLESS SPECIFICALLY NOTED, THIS DRAWING AND ITEMS SHOWN ON THIS DRAWING ARE SUBJECT TO CHANGE AT ANY TIME.



BANJO CORPORATION

150 BANJO DRIVE, CRAWFORDSVILLE, IN 47933
 WEB SITE: WWW.BANJOCORP.COM
 E-MAIL: BANJOSALES@IDEXCORP.COM

DESCRIPTION	MEVX 1"FP 3 BANK 2" IN/1" OUT
PART NUMBER	MEVX103