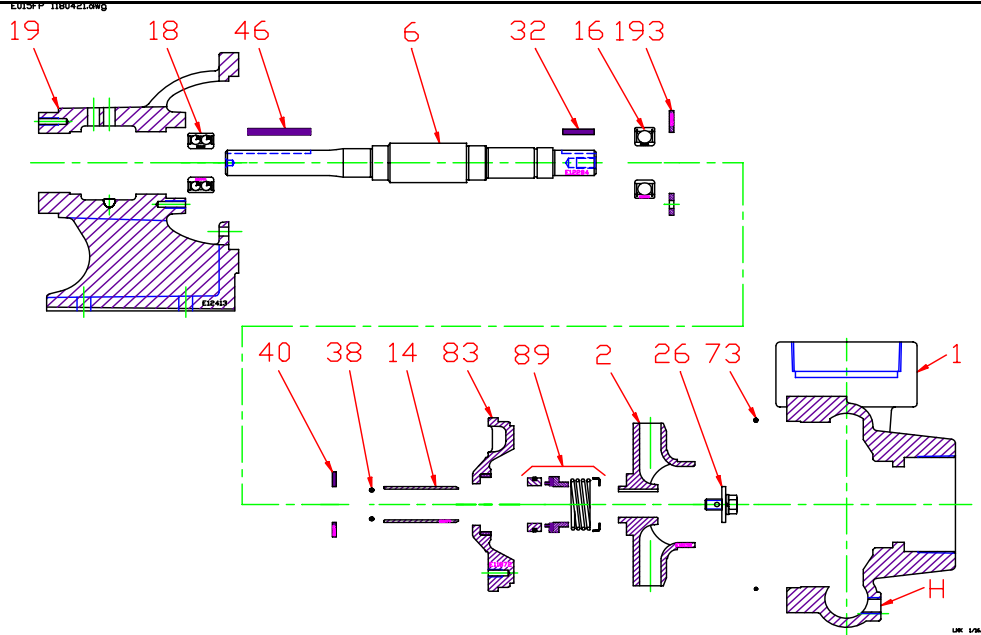


FPD 515 • Iron • 7/8" Shaft • F1180421



KEY NO.	PART NAME	FPD 515
1	CASE, IRON, 3 x 3 NPT	130.000.224X1
2	IMPELLER, 7/8" KEYED, ENCLOSED, 5.63" DIAMETER: IRON, TEFCOTED	131.000.286.TC
14*	SHAFT SLEEVE, STAINLESS	135.000.187
26*	IMPELLER RETAINER, STAINLESS	118.000.111A
38*	O-RING, SHAFT, VITON	116.000.193
40*	FLINGER	104.000.107
73*	GASKET, CASE	116.000.146
83	BACKPLATE, IRON	132.000.183
89*	1 1/4" SEAL: TYPE 21, VN-CARB/CM	101.000.194
	BEARING FRAME ASS'Y CONSISTING OF:	F1180421 118.000.421X
6+	SHAFT, ASS'Y	135.000.186X
16	BEARING	103.000.146
18	BEARING	103.000.150
19	FRAME	132.000.237
32*+	KEY	102.000.102
46+	KEY	102.000.130
193	RETAINER	110.000.244
--	REPAIR KITS: VN-CARB/CM SEAL	118.000.352

* DENOTES COMPONENTS INCLUDED IN REPAIR KIT.

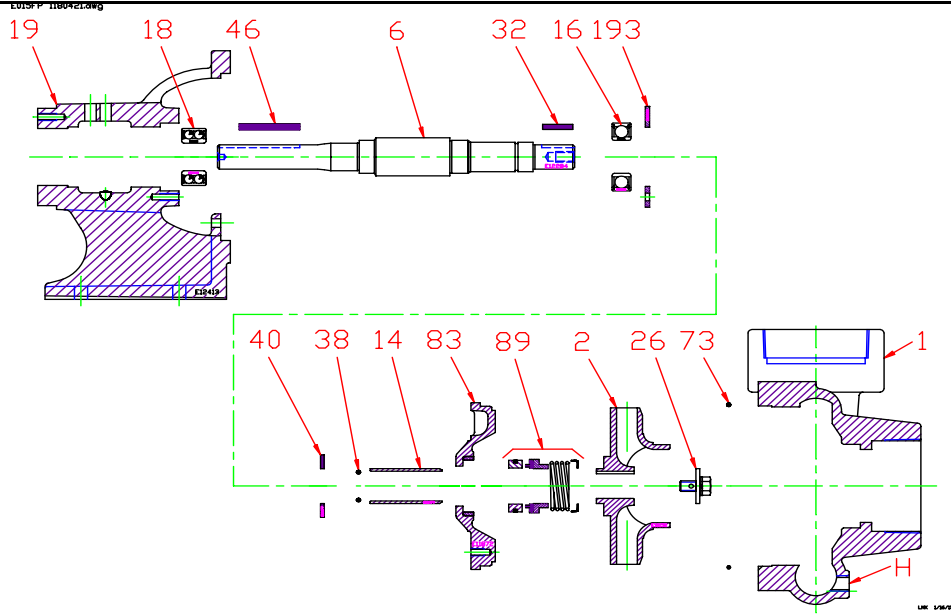
+ DENOTES COMPONENTS INCLUDED WITH SHAFT ASSEMBLY

E015FP1180421

D20

P015421-A

FPD 515 • Iron • 7/8" Shaft • F1180421



CONSTRUCTION OPTIONS		
KEY NO.	PART NAME	ALL IRON
1	Case	Iron
2	Impeller	Iron, Tefcoted
6	Shaft Ass'y	Steel
14	Shaft Sleeve	Stainless
19	Frame	Iron
26	Impeller Retainer	Stainless
32	Key	Stainless
38	O-ring, Shaft	Viton
40	Flinger	Rubber
46	Key	Stainless
73	Gasket, Case	BUNA
83	Backplate	Iron
89	Mechanical Seal, Type 21 VN-CARB/CM	Standard
193	Retainer	Steel

E015FP1180421

D20

C015421-A