

Heavy Duty Industrial Grade Mini Bulk Tank Rack System

This **Heavy Duty Tank Racking System** is ideal for use in chemical plants integrating mini-bulk chemicals into a larger carrier system. This racking system comes with optional pump stands mounted on the back reducing the plumbing and keeping your plumbing setup clean. The tanks sit on the racks at a slight angle to optimize drain out.



Call for Details & Pricing!

Chemical Tote Filling Station Drip Tray

This **Stainless Steel Drip Tray** is the ideal way to store your individual chemical hose end nozzles. This will help keep all your lines separated and organized. The drip tray design will catch any excess chemical from the hose end nozzle and helps ensure you maintain a safe and clean work environment.



Call for Details & Pricing!

Mass Meter Stands



Part No.	Description
DU MASS-STD4	Mass Meter Stand.....

FLOMEC GPI Poly Oval Gear Meters

1" FNPT - 2.6 - 40 GPM
For Chemicals, Oils & DEF

GPI FLOMEC® Poly Chemical Flow Meters provide precision volumetric flow measurement for fluid transfer processes such as batching and dosing and are ideal for applications where stainless steel is not suited or permitted. These 1" poly oval gear flow meters feature PPS rotors (no bearing), delivering highly accurate, repeatable readings of flow rates across both high- and low-viscosity liquids. Poly meter housings with 1" FPT inlet/outlet ports. Local readout models include a RT40 flow rate totalizer with backlit LCD display programmable to display re-settable (batch) total, cumulative total, and instantaneous flow rate in either gallons or liters per minute.

Usable with a wide range of water-based liquids, aggressive chemicals, most petroleum products including fuels, oils, and lubricants, and Diesel Exhaust Fluid (DEF).

- Rate totalizer with backlit large-digit LCD Display (local readout model only)
- PPS Rotors, No Bearing
- FKM (Viton™) 5° F minimum (-15° C) O-Ring
- High accuracy & repeatability, direct reading flow meter
- No requirement for flow conditioning (straight pipe runs)
- Measures high & low viscosity liquids
- Quadrature pulse output option & bi-directional flow



Flow Range: 2.6 - 40 GPM (10-150 L/min) @ 3cP
Accuracy of Reading: +/- 0.5%
Type: Oval Gear
Working Pressure: 174 PSI (12 bar)
Max Working Temp: 176° F (80° C) Maximum
Inlet/Outlet: 1" FNPT
Warranty: 2-year
Approvals: CE, NEMA 4, IP65



Part No.	Description	Wt.
GI OM025P001-826R7G	1" Poly Gear Meter w/Local Digital Display	3 lbs.
GI OM025P001-822	1" Poly Gear Meter, No Display	3 lbs.

Stealth Oval Gear Meters

1" - 3" Sizes
TS "Stealth" Series - NTEP Certified



TS Series of "Stealth" Oval Gear Meters are designed for minimal wear, reliable accuracy, and reduced operating costs – offering precision performance for a wide array of high-volume liquid transfer applications. Easily maintained over the life of the meter due to minimal moving parts. Stainless oval gear meters are suitable for ag chemicals and fertilizers, while aluminum oval gear meters are designed for handling refined fuels. Legal for direct resale (NTEP Certified) on most of these recommended products – **Call to verify!**



TS104A with Mechanical Head

Stealth oval gear meters feature two precision-toothed gears for excellent accuracy and linearity. Stainless meters have HVPPS/Teflon rotors and Teflon seals. Aluminum meters have LVPPS/Carbon rotors and Viton® seals. Available with electronic* or mechanical (Veeder root) heads. All meters register in gallons per minute (1/10th increments) unless otherwise noted. Available in 1", 1-1/2", & 2" sizes (call for 3" options) with multiple add-on accessory options including strainer, air eliminator, printers, etc. available.

Note: Calibration is relatively unaffected by viscosity (viscosity limit of 40Wt. oil for legal resale). Not recommended for abrasive liquids. Confirm chemical compatibility before ordering! *Special Remote Digital Readouts available for Flammable Liquids.

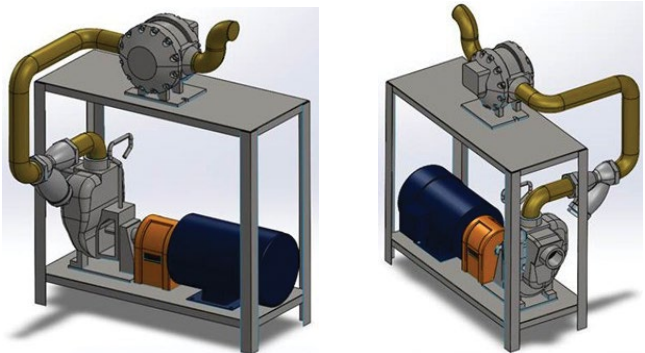
Part No.	Description	GPM	Wt.
FR TS101	1-1/2" Aluminum Gear Meter w/Electronic Register	60	62 lbs.
FR TS105A	1" 316SS Gear Meter w/ Mech. Meter	40	35 lbs.
FR TS104A	1-1/2" 316SS Gear Meter w/ Mech. Meter	60	115 lbs.
FR TS109A	2" 316SS Gear Meter w/ Mech. Meter	150	115 lbs.
FR TS15CW04AHGA	1-1/2" 316SS Gear Meter Only, No Register	60	90 lbs.
FR TS20CW04AHGA	2" 316SS Gear Meter Only, No Register	120	90 lbs.

CALL for CURRENT PRICING

Stainless Steel Pump & Meter Units

For Transfer of Ag-Chemicals & Other Liquids

The **PMTS20** is an excellent stainless-steel pump and meter unit for transfer from bulk storage to portable containers – suitable for most all agricultural chemicals and herbicides. The stainless-steel 2" self-priming Flomax Pump can be supplied either with a single-phase or a three-phase motor. The Sotera gear meter is NTEP Labeled and rated up to 120 GPM. This stainless-steel chemical pump and meter unit also includes a strainer and air eliminator for NTEP. A tee on the pump discharge is included for "recirculation" plumbing back to the tank if desired.



Part No.	Description	Wt.
DU PMTS20-53SS	5HP - 3PH SS Pump & Meter Unit w/..... w/FRTS20 Meter, SS Fittings & Stand – NO DISPLAY	250 lbs.

Call Us with All Your Meter System Requirements

Meters We Offer Include:



- Turbine Meters (Emerson Hoffer)
- Positive Displacement* (TCS)
- Lube Oil (GPI)
- Digital (Sotera, Scienco, GPI, Raven, Dura)
- Fuel (Fill-Rite, GPI)
- Mass Meters* (Micromotion)
- Meter Control Systems
- Mag Meters (Rosemount)

* Note: PD & Mass Meters are legal for direct resale (custody transfer)

