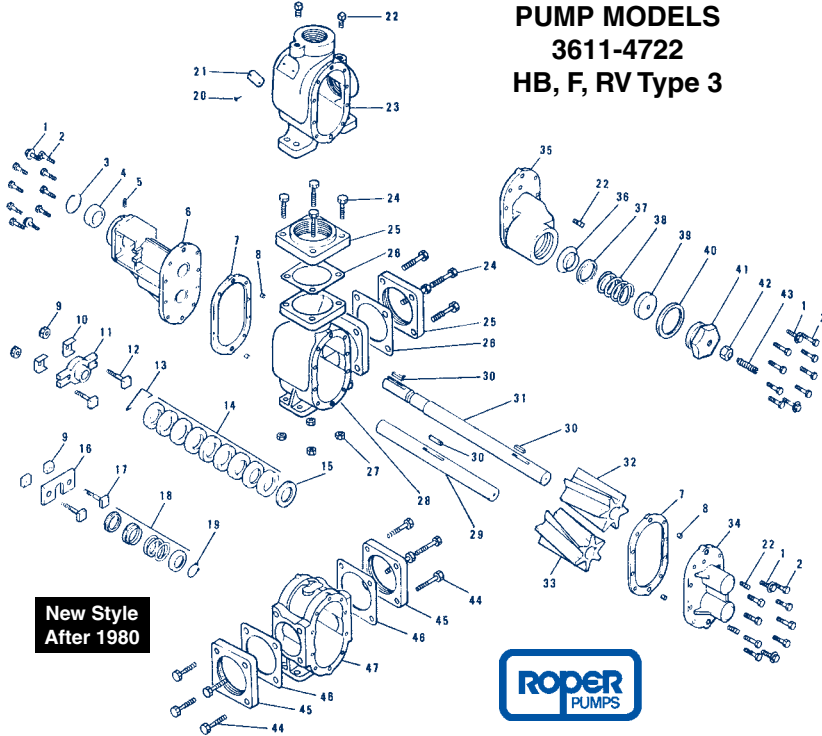


Roper Repair Parts



WE MAINTAIN A LARGE INVENTORY OF ROPER PUMP REPAIR PARTS-- SEE MANY PUMP PARTS & SCHEMATICS ON dultmeier.com

PUMP MODELS 3611-4722 HB, F, RV Type 3

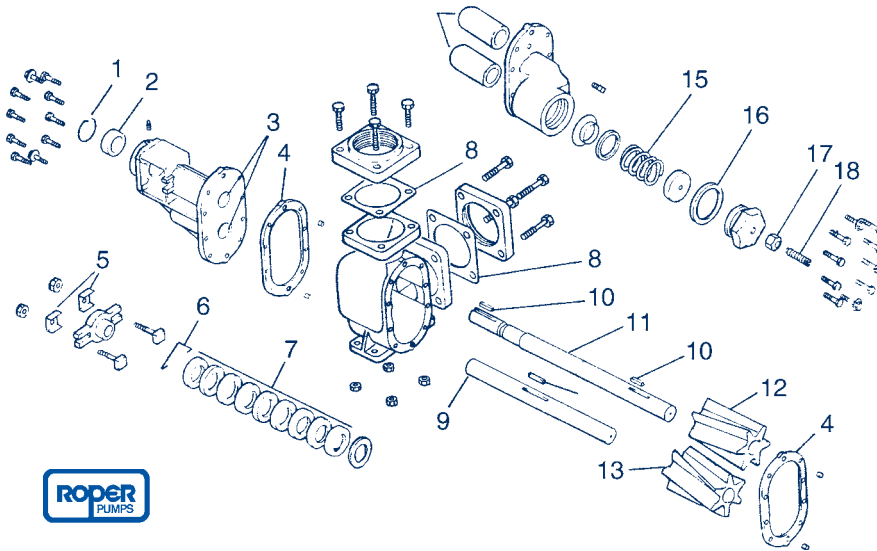


New Style After 1980



| NO. | ON | DESCRIPTION | QTY | ORDER BY PART NUMBER BELOW | | |
|-----|----|-------------------------|-----|----------------------------|------------|------------|
| | | | | 11 | 17 | 22 |
| 1 | C | WASH, HD CAP SCREW | 4 | G49-24 | G49-24 | G49-24 |
| 2 | C | HEX HD CAP SCREW | 16 | G49-037100 | G49-037100 | G49-037100 |
| 3 | C | RETAINING RING | 1 | G41-10 | G41-10 | G41-10 |
| 4 | C | BALL BEARING | 1 | G40-41 | G40-41 | G40-41 |
| 5 | C | LUBE FITTING | 1 | G63-1 | G63-1 | G63-1 |
| 6 | C | BACKPLATE ASSEMBLY | 1 | N2-403 | N2-403 | N2-403 |
| | | BEARING, LONG, BRONZE | 1 | G5-257 | G5-257 | G5-257 |
| | | BEARING, SHRT, BRONZE | 1 | G5-258 | G5-258 | G5-258 |
| 7 | C | GASKET, CASE | 2 | D11-338 | D11-338 | D11-338 |
| 8 | C | DOWEL PIN, HOLLOW | 4 | D48-34 | D48-34 | D48-34 |
| 9 | C | LOCKNUT | 2 | D441-755 | D441-755 | D441-755 |
| 10 | PB | CLIP, PKG GLAND | 2 | D42-1 | D42-1 | D42-1 |
| 11 | PB | GLAND, PKG | 1 | P10-178 | P10-178 | P10-178 |
| 12 | PB | SQUARE HEAD BOLT | 2 | G67-043275 | G67-043275 | G67-043275 |
| 13 | PB | CLIP, SPRING | 1 | D42-2 | D42-2 | D42-2 |
| 14 | PB | PACKAGE SET | 1 | N43-1 | N43-1 | N43-1 |
| 15 | PB | WASHER, PACKAGE | 1 | G8-246 | G8-246 | G8-246 |
| 16 | MS | RETAINER, SEAL | 1 | D23-252 | D23-252 | D23-252 |
| 17 | MS | SQUARE HEAD BOLT | 2 | G67-043125 | G67-043125 | G67-043125 |
| 18 | MS | MECH. SEAL, COMPLETE | 1 | G4-101 | G4-101 | G4-101 |
| 19 | MS | RETAINING RING | 1 | G41-76 | G41-76 | G41-76 |
| 20 | C | DRIVE SCREW | 2 | G62-9 | G62-9 | G62-9 |
| 21 | C | NAMEPLATE | 1 | G12-34 | G12-34 | G12-34 |
| 22 | C | PIPE PLUG | (4) | G56-12 | G56-12 | G56-12 |
| 23 | C | CASE | 1 | P1-178 | P1-177 | NA |
| 24 | C | HEX HD CAP SCREW | 8 | G49-050150 | G49-050125 | G49-062225 |
| 25 | C | FLANGE, STRAIGHT | 2 | P23-30 | P23-12 | P23-10 |
| 26 | C | GASKET, FLANGE | 2 | D11-333 | D11-332 | D11-90 |
| 27 | C | NUT | 8 | NA | NA | G44-062 |
| 28 | C | CASE | 1 | P1-401 | P1-402 | P1-175 |
| 29 | C | SHAFT, IDLER | 1 | D1-1098 | D1-1100 | D1-1077 |
| 30 | C | KEY | 3 | D30-9 | D30-9 | D30-9 |
| 31 | C | SHAFT, DRIVE | 1 | D1-2072 | D1-2073 | D1-1998 |
| 32 | C | GEAR, LH | 1 | P6-276 | P6-274 | P6-278 |
| 33 | C | GEAR, RH | 1 | P6-275 | P6-273 | P6-277 |
| 34 | C | FACEPLATE, ASSEMBLY, PL | 1 | N3-177 | N3-177 | N3-177 |
| | | BRG, BRZ | 2 | G5-257 | G5-257 | G5-257 |
| 35 | C | FACEPLATE ASSEMBLY, RV | 1 | N3-200 | N3-200 | N3-200 |
| | | BEARING, BRONZE | 2 | G5-257 | G5-257 | G5-257 |
| 36 | C | POPPET | 1 | D16-16 | D16-16 | D16-16 |
| 37 | C | ADAPTER, POPPET | 1 | G8-281 | G8-281 | G8-281 |
| 38 | C | SPRING, STD | 1 | G10-355 | G10-355 | G10-355 |
| | | SPRING, HIGH PRESSURE | 1 | G10-375 | G10-375 | G10-375 |
| 39 | C | GUIDE, SPRING | 1 | D8-348 | D8-348 | D8-348 |
| 40 | C | GASKET, CAP | 1 | D828-41 | D828-41 | D828-41 |
| 41 | C | PLUG CAP | 1 | P17-110 | P17-110 | P17-110 |
| 42 | C | NUT, LOCK, AND SEAL | 1 | G43-18 | G43-18 | G43-18 |
| 43 | C | SCREW, ADJUSTING | 1 | G62-44 | G62-44 | G62-44 |
| 44 | C | HEX HEAD CAP SCREW | 8 | G49-050150 | G49-050175 | G49-062225 |
| 45 | C | FLANGE, STRAIGHT | 2 | P23-30 | P23-35 | P23-19 |
| 46 | C | GASKET, FLANGE | 2 | D11-333 | D11-332 | D11-90 |
| 47 | C | CASE, THROUGH-PORTS | 1 | P1-170 | P1-181 | P1-171 |

N7-250 COMPL RV FACEPLATE ASSY W/STD SPRING (35 THROUGH 43 INCL)
N7-406 COMPL RV FACEPLATE ASSY W/HIGH PRESS. SPRING (35 THROUGH 43 INCL)



STANDARD FITTED KITS INCLUDE THE FOLLOWING:

- | | |
|--------------------------------------|----------------------------------|
| 1. Retaining ring | 10. Keys |
| 2. Ball Bearing | 11. Drive Shaft |
| 3. Bronze Bushings (1 long, 1 short) | 12. Left Hand Gear |
| 4. Case Gaskets | 13. Right Hand Gear |
| 5. Gland Clip | 14. Bronze Bushings (2 long) |
| 6. Spring Clip | 15. Relief Valve Spring |
| 7. PTFE/Graphite Packing | 16. Relief Valve Gasket |
| 8. Flange Gaskets | 17. Relief Valve Nut |
| 9. Idler Shaft | 18. Relief Valve Adjusting Screw |

OPTIONS AVAILABLE

- Carbon Bushings
- Iron Bushings
- PTFE Bushings
- Hi Pressure Relief Valve Sprint
- Stainless Shafts



Roper Pump Repair Kits

Featuring "Genuine" Roper Parts!!



Complete Rebuild Kits for Roper 3611, 3617 or 3622 Gear Pumps. Kits include all major parts required to rebuild your pump. Only "Genuine" Roper parts are used. Standard with bronze bushings and steel shafts.

- Part No.**
RR N44-188 Repair Kit for 3611 Pump
RR N44-172 Repair Kit for 3617 Pump
RR N44-133 Repair Kit for 3622 Pump

Note: Carbon, Iron or PTFE bushings or Stainless Shafts are available at added cost.